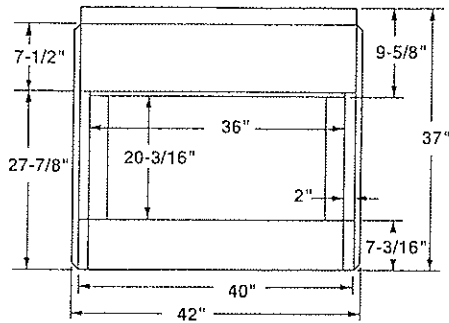
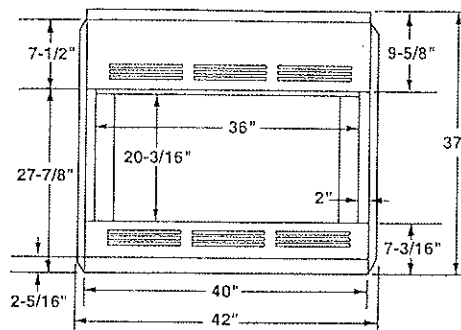


UVFR/UVFC-500

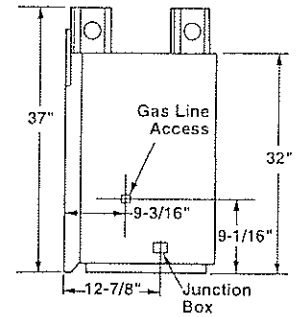
Appliance Specifications



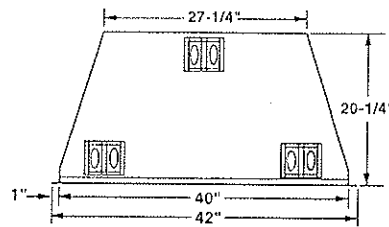
UVFR-500 Front View



UVFC-500 Front View



Right Side View



Top View

Fireplace Finishes

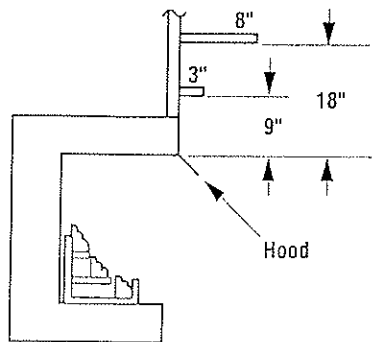
WARNING: THE HOOD MUST BE IN PLACE TO BE IN COMPLIANCE WITH THE CLEARANCES SPECIFIED IN THE DIAGRAM BELOW. USE ONLY THE HOOD SUPPLIED WITH FIREPLACE FOR SAFE OPERATION (SEE INSTALLATION INSTRUCTIONS).

Side Wall Clearance:

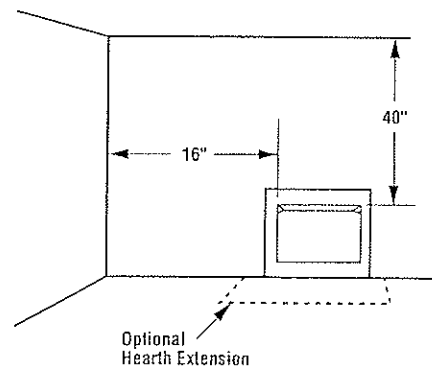
The sides of the firebox opening must be at least 16" from any combustible side wall.

Ceiling Clearance:

The ceiling must be at least 40" from the top of the firebox opening.



Mantel Limitation

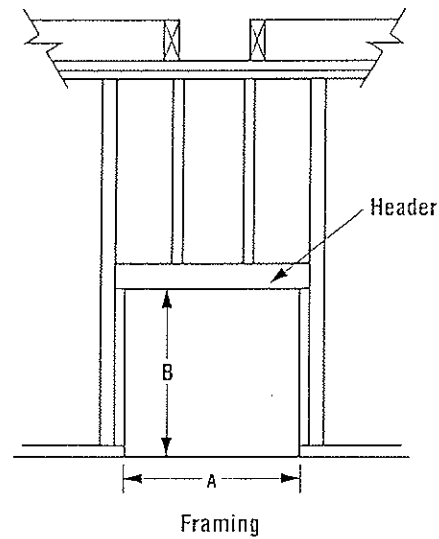
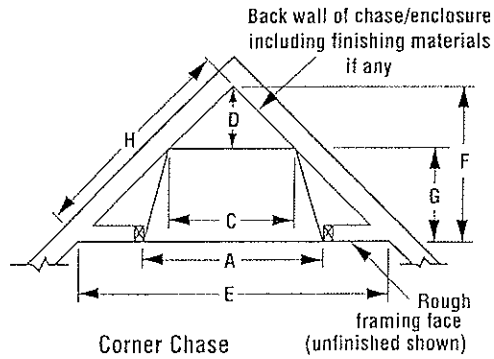
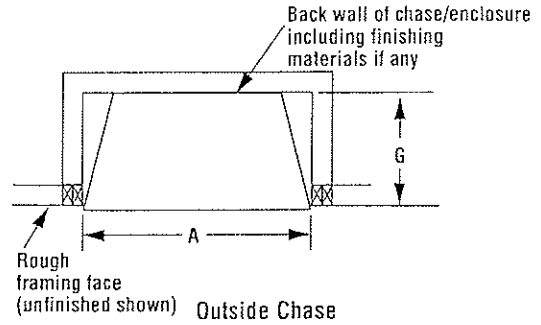
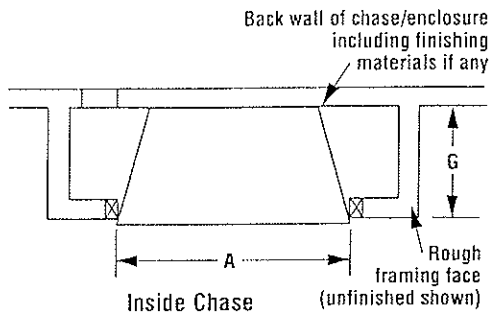


Minimum Clearance Framing

UVFR/UVFC-500

Framing Specifications

Note: Framing dimensions are calculated for a nailing flange depth of 1/2"

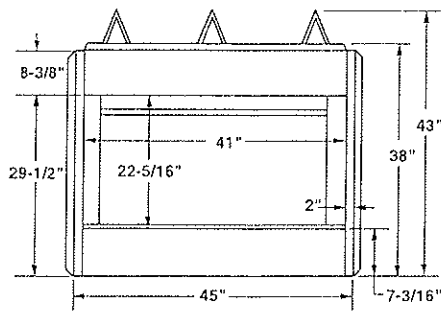


	A	B	C	D	E	F	G	H
UVF-500	41-1/4"	37-1/2"	27-1/2"	13-3/4"	66-3/4"	33-3/8"	19-5/8"	47-1/4"

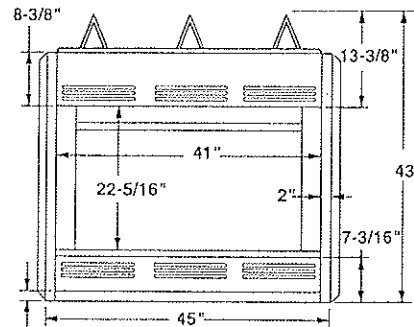
Note: All dimensions calculated for 1/2" dry wall at the appliance face. If sheathing the chase or finishing with other thickness materials, calculations will need to be made.

UVFR/UVFC-600

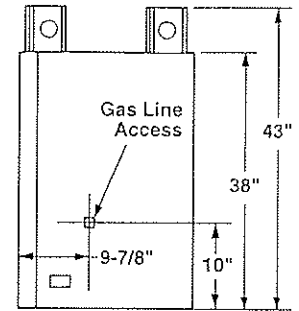
Appliance Specifications



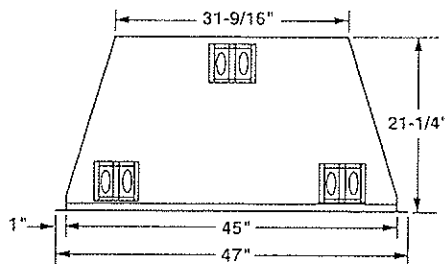
UVFR-600 Front View



UVFC-600 Front View



Right Side View



Top View

Fireplace Finishes

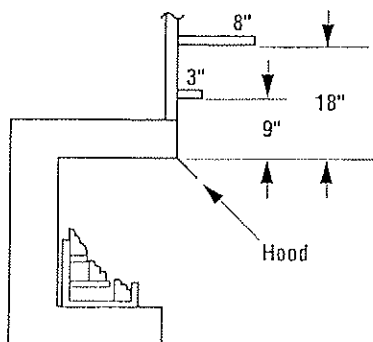
WARNING: THE HOOD MUST BE IN PLACE TO BE IN COMPLIANCE WITH THE CLEARANCES SPECIFIED IN THE DIAGRAM BELOW. USE ONLY THE HOOD SUPPLIED WITH FIREPLACE FOR SAFE OPERATION (SEE INSTALLATION INSTRUCTIONS).

Side Wall Clearance:

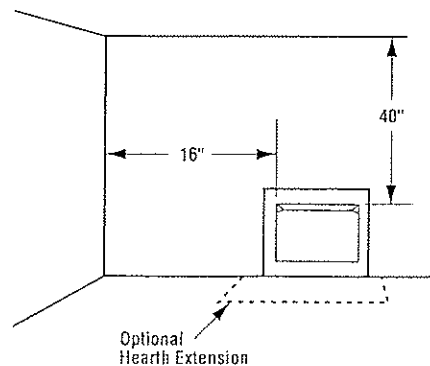
The sides of the firebox opening must be at least 16" from any combustible side wall.

Ceiling Clearance:

The ceiling must be at least 40" from the top of the firebox opening.



Mantel Limitation

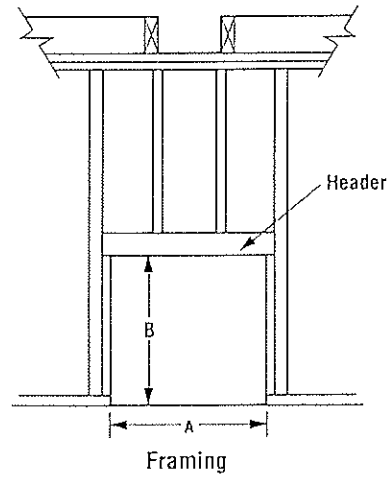
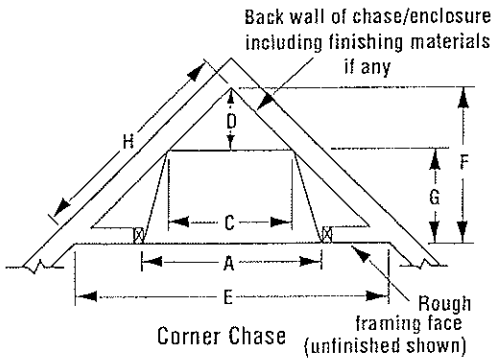
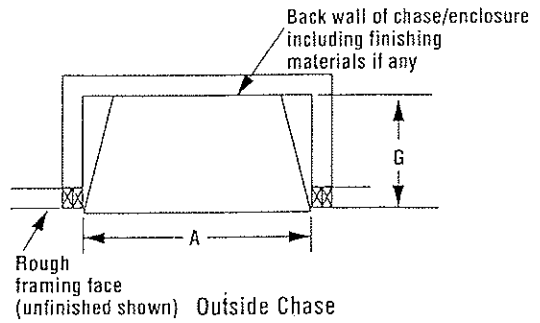
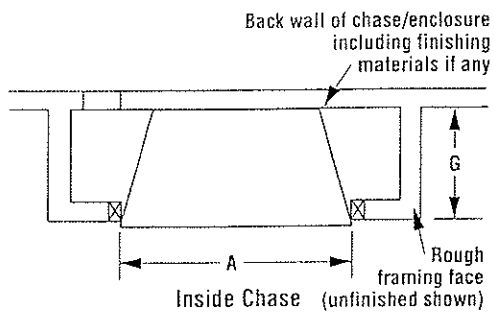


Minimum Clearance Framing

UVFR/UVFC-600

Framing Specifications

Note: Framing dimensions are calculated for a nailing flange depth of 1/2"



	A	B	C	D	E	F	G	H
UVF-600	46-1/4"	43-1/2"	31-3/4"	15-7/8"	73"	36-1/2"	20-5/8"	51-5/8"

Note: All dimensions calculated for 1/2" dry wall at the appliance face. If sheathing the chase or finishing with other thickness materials, calculations will need to be made.