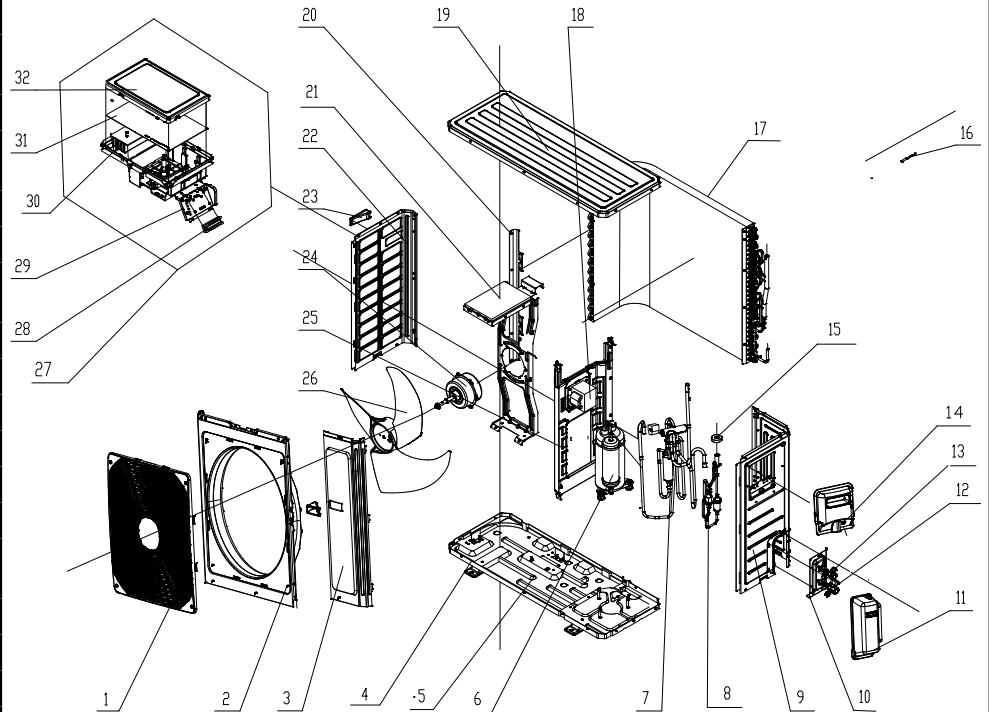


REPLACEMENT PARTS LIST

**U-CROWN SYSTEM
DUCTLESS OUTDOOR UNIT
GXH18(5.2)KSK4DH**

| ITEM # | COMPONENT |
|--------|---------------------------------|
| 1 | FRONT GRILL |
| 2 | FRONT PANEL ASSY |
| 3 | FRONT SIDE PLATE SUB-ASSY |
| 4 | CHASSIS SUB-ASSY |
| 5 | ELECTRICAL HEATER (CHASSIS) |
| 6 | COMPRESSOR AND FITTINGS |
| 7 | 4-WAY VALVE ASSY |
| 8 | ELECTRONIC EXPANSION VALVE ASSY |
| 9 | RIGHT SIDE PLATE |
| 10 | VALVE SUPPORT SUB-ASSY |
| 11 | VALVE COVER |
| 12 | CUT OFF VALVE |
| 13 | CUT OFF VALVE SUB-ASSY |
| 14 | BIG HANDLE |
| 15 | MAGNET COIL |
| 16 | TEMPERATURE SENSOR |
| 17 | CONDENSER ASSY |
| 18 | REACTOR |
| 19 | TOP COVER SUB-ASSY |
| 20 | CONDENSER SUPPORT PLATE |
| 21 | MOTOR SUPPORT ASSY |
| 22 | LEFT SIDE PLATE |
| 23 | LEFT HANDLE |
| 24 | BRUSHLESS DC MOTOR |
| 25 | CLAPBOARD SUB-ASSY |
| 26 | AXIAL FLOW FAN |
| 27 | ELECTRIC BOX ASSY |
| 28 | TERMINAL BOARD |
| 29 | TERMINAL BOARD SUPPORT SUB-ASSY |
| 30 | RADIATOR |
| 31 | MAIN BOARD |
| 32 | ELECTRIC BOX COVER |



GXH18(5.2)KSK4DH

| PART DESCRIPTION | PART CODE | NORTEK PART NUMBER | LIST PRICE |
|---------------------------------|----------------|--------------------|------------|
| FRONT GRILL | 01473050 | | \$6.00 |
| FRONT PANEL ASSY | 0153501405 | | \$15.00 |
| FRONT SIDE PLATE SUB-ASSY | 01303249P | | \$3.40 |
| CHASSIS SUB-ASSY | 02803315P | | \$13.20 |
| ELECTRICAL HEATER (CHASSIS) | 7651000411 | | \$5.10 |
| COMPRESSOR AND FITTINGS | 00105251 | | \$132.00 |
| 4-WAY VALVE ASSY | 030152000081 | | \$22.90 |
| ELECTRONIC EXPANSION VALVE ASSY | 03017400017 | | \$23.30 |
| RIGHT SIDE PLATE | 0130504402P | | \$5.10 |
| VALVE SUPPORT SUB-ASSY | 0170506101P | | \$1.60 |
| VALVE COVER | 22245003 | | \$0.60 |
| CUT OFF VALVE | 0713517901 | | \$6.00 |
| CUT OFF VALVE SUB-ASSY | 07133934 | | \$2.00 |
| BIG HANDLE | 02115005 | | \$2.30 |
| MAGNET COIL | 4300040045 | | \$2.10 |
| TEMPERATURE SENSOR | 3900030901 | | \$2.70 |
| CONDENSER ASSY | 01100200326 | | \$127.00 |
| REACTOR | 43130024 | | \$11.70 |
| TOP COVER SUB-ASSY | 01255015 | | \$6.90 |
| CONDENSER SUPPORT PLATE | 01175092 | | \$0.80 |
| MOTOR SUPPORT ASSY | 000046000019 | | \$7.60 |
| LEFT SIDE PLATE | 01305043P | | \$3.90 |
| LEFT HANDLE | none | | |
| BRUSHLESS DC MOTOR | 15010400000102 | | \$20.80 |
| CLAPBOARD SUB-ASSY | 01235091 | | \$4.70 |
| AXIAL FLOW FAN | 10335013 | | \$4.40 |
| ELECTRIC BOX ASSY | 10000100222 | | \$99.80 |
| TERMINAL BOARD | 42010255 | | \$0.90 |
| TERMINAL BOARD SUPPORT SUB-ASSY | 01715016A | | \$0.60 |
| RADIATOR | 49015215 | | \$6.40 |
| MAIN BOARD | 30138000652 | | \$84.40 |
| ELECTRIC BOX COVER | 20125002 | | \$2.20 |