

# Gibson

Heating and Cooling Products



Submittal: GXH09(2.6)KSK4DH Ultra High Efficiency Heat Pump

Job Name: Location: Date:

Purchaser: Engineer:

Submitted To: For:

Unit Designation: Schedule #:

- Features:
- Inverter-driven Two Stage Compressor
  - Flared Piping Connections
  - Wireless IR/RF Remote Controller Included
  - Anti-corrosion coils
  - Intelligent defrost
  - Wifi Enabled with App
  - Ultra Heating
  - Limited 5-year parts & 7-year compressor warranty



SYSTEM RATINGS	
Rated Cooling Capacity (Btu):	9,000
Minimum Cooling Capacity (Btu):	1,535
Maximum Cooling Capacity (Btu):	12,966
Rated Heating Capacity (Btu):	9,000
Minimum Heating Capacity (Btu):	2,388
Maximum Heating Capacity (Btu):	13,948
SEER:	30.50
EER:	15.79
HSPF:	10.50
COP:	14.29
METERING DEVICE	
Location	ODU
Type	EEV

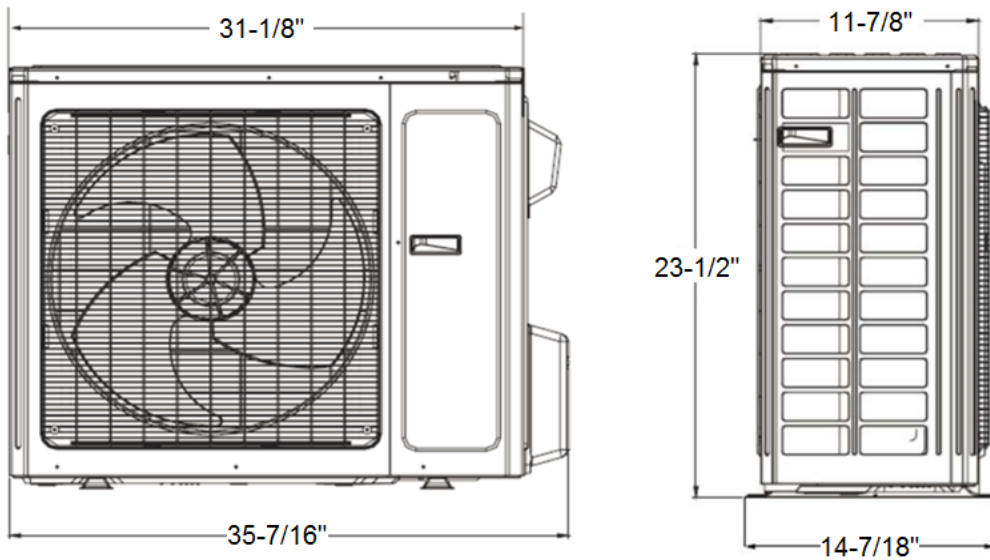
OUTDOOR UNIT DATA	
<b>Compressor</b>	
Type:	Rotary
RLA:	8.5
<b>Fan Motor</b>	
Ouput Power(W):	30
RLA:	0.36
<b>Sound Pressure (dBA):</b>	53
<b>Physical Characteristics</b>	
Net Weight (lbs):	99.225
<b>Dimensions</b>	
W:	35-7/16"
H:	23-1/2"
D:	14-7/8"

Operation Range (Outdoor Ambient)	
Cooling (Min-Max)°F:	0~129
Heating (Min-Max)°F:	-22~75
Power Supply	
Voltage (Min-Max):	187/253
Minimum Circuit Ampacity (MCA):	12
Max. Overcurrent Protection (MOCP):	15

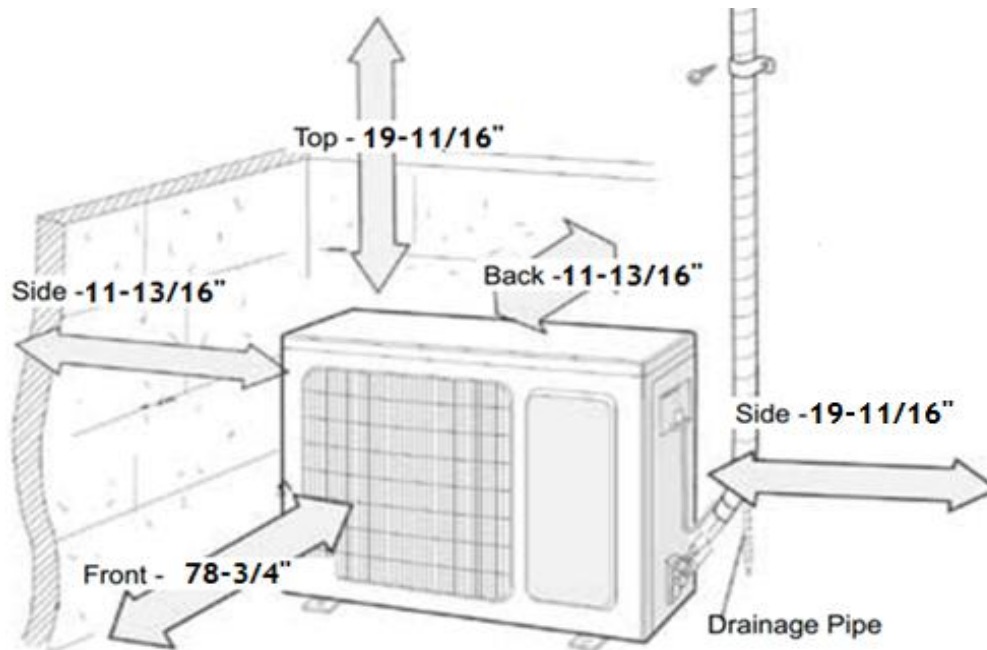
Refrigerant Piping Data	
Refrigerant Type:	R-410A
Pre-charged Amount (Oz):	49.4
Pre-Charged Length (ft):	24.6
Additional amount (Oz/ft.):	0.215
Max. Piping Length (ft):	49.2
Max. Piping Height (ft):	32.8
ODU Connection Size (Gas):	1/2"
ODU Connection Size (Liquid):	1/4"

Submittal: GXH09(2.6)KSK4DH

Outdoor Unit Dimensions



Outdoor Unit Minimum Clearances



*Specifications are subject to change without notice.*

# Gibson

Heating and Cooling Products

R410-A

Inverter



AHRI CERTIFIED



Submittal: GHH09(2.6)KSK4DH

Ultra High Efficiency Heat Pump

**Features:**

- Inverter-driven Variable Speed Blower
- Flared Piping Connections
- Wireless IR/RF Remote Controller Included
- Wifi Enabled with App
- iFeel Operation
- Air Filters Included
- Turbo Cooling
- Intelligent Preheating
- Child Lock Function



**Indoor Unit Data**

**Blower Data**

CFM (Max/Min):	412/206
Output (W):	20
RLA:	0.200
Capacitor Rating (µF):	N/A

**Sound Pressure**

Cooling dB (A) (Min/Max):	22/41
---------------------------	-------

**Physical Characteristics**

Net Weight (lbs): 30.87

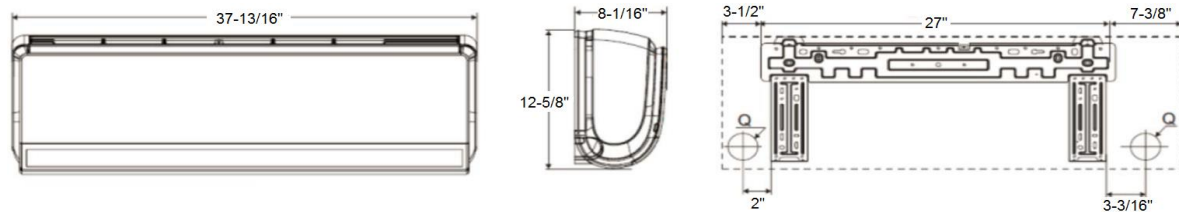
**Dimensions (in.)**

W: 37-13/16"  
H: 12-5/8"  
D: 8-1/16"

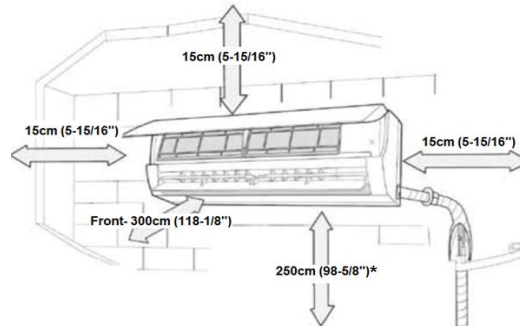
**Piping Connection Size**

"Liquid": 1/4"  
Gas: 1/2"

**Dimensions**



**Clearances**



\*A mounting height of 98-5/8" from the floor is recommended, however, this height may not be available for installations with lower ceilings. In these cases, the unit should be placed as high on the wall as possible, while maintaining a ceiling clearance of 5-15/16" or greater

Specifications & illustrations are subject to change without notice or incurring obligations.  
O'Fallon, MO ©Nortek Global HVAC, LLC 2017. All Rights Reserved. 871E (11/17)

**ODU SKU: 1014650**  
**IDU SKU: 1014649**

# Gibson

Heating and Cooling Products



Extended Cooling Capacity Ratings				
GXH9(2.6)KSK4DH / GHH09(2.6)KSK4DH				
Outdoor Ambient Dry Bulb Temperature	Indoor Entering Air Temperature			
	65°F DB 55°F WB	68°F DB 57°F WB	73°F DB 61°F WB	79°F DB 64°F WB
	TC	TC	TC	TC
5°F	5,030	5,480	5,810	6,200
14°F	5,240	5,740	6,070	6,480
23°F	5,850	6,290	6,730	7,170
32°F	6,160	6,630	7,090	7,550
41°F	6,470	6,970	7,450	7,930
50°F	6,780	7,310	7,810	8,310
59°F	7,100	7,630	8,160	8,690
68°F	8,100	8,640	9,180	9,540
77°F	8,000	8,540	9,080	9,450
86°F	7,580	8,120	8,660	9,090
95°F	7,150	7,680	8,220	8,750
104°F	6,770	7,310	7,850	8,380
113°F	6,400	6,940	7,470	8,010
122°F	6,210	6,750	7,200	7,740

Extended Heating Capacity Ratings				
GXH09(2.6)KSK4DH / GHH09(2.6)KSK4DH				
Outdoor Ambient Dry Bulb Temperature	Indoor Entering Air Temperature			
	65°F DB 55°F WB	68°F DB 57°F WB	73°F DB 61°F WB	79°F DB 64°F WB
	TC	TC	TC	TC
-22°F	8,330	8,080	8,000	7,920
-4°F	8,710	8,450	8,360	8,280
0°F	9,280	9,000	8,910	8,820
6°F	9,470	9,180	9,090	9,000
10°F	9,470	9,180	9,090	9,000
16°F	9,470	9,180	9,090	9,000
19°F	9,470	9,180	9,090	9,000
24°F	9,470	9,180	9,090	9,000
32°F	9,470	9,180	9,090	9,000
41°F	9,470	9,180	9,090	9,000
43°F	9,470	9,180	9,090	9,000
47°F	9,470	9,180	9,090	9,000
53°F	9,570	9,280	9,180	9,090
59°F	9,780	9,490	9,390	9,300
64°F	9,990	9,690	9,590	9,500
70°F	10,180	9,870	9,770	9,680
75°F	10,320	10,010	9,910	9,810
78°F	10,420	10,100	10,000	9,900

Specifications & illustrations are subject to change without notice or incurring obligations.  
 O'Fallon, MO ©Nortek Global HVAC, LLC 2017. All Rights Reserved. 869E (11/17)

**ODU SKU: 1014650**  
**IDU SKU: 1014649**