

# NORTEK GLOBAL HVAC, LLC

Notice before installation

## ① How to install the Cable Cross Plate

See direction as shown in Fig.1.

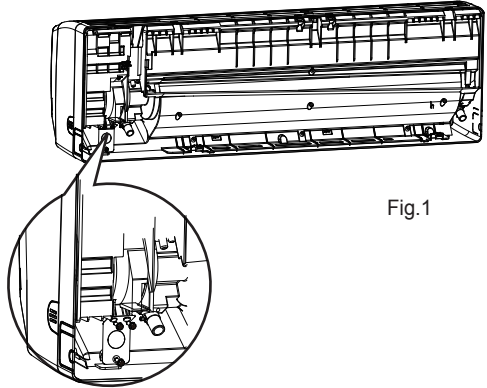


Fig.1

## ② Finish

See shown in Fig.2.

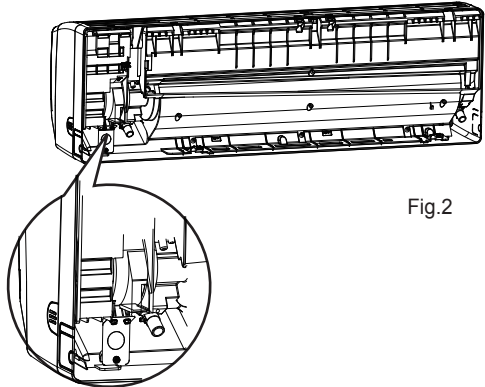


Fig.2

Note: The Setscrew is Self-threading Screw Sub-Assy (hexangular head).

Specifications & illustrations subject to change without notice or incurring obligations.  
O'Fallon, MO (06/15) © Nortek Global HVAC, LLC 2015. All Rights Reserved. 574E-0116