

R22 & 410A EVAPORATOR REPLACEMENT COIL GUIDE

The following guide is intended to help identify which coil should be used as a replacement based on the coil that is currently installed. This guide applies to both cased and uncased coils, as well as air handler coils.

BACKGROUND AND APPLICATION

The REPLCOILs were designed to match with a wide variety of outdoor condenser families. These coils also have enhanced corrosion protection. The REPLCOIL##HS is an Anteaater® copper tube aluminum fin coil. The REPLCOIL##M is an AnteaaterMC® Micro Channel coil.

If a braze connection part number is listed in the table in the same row as the coil being replaced, that part needs to be purchased to make sure the line-set will be able to attach to the replacement coil.

Most replacement coils come piston ready. If the coil application requires a piston, the contractor will need to open the distributor and install the correct piston (refer to the installation instructions included with the coil).

If a TXV part number is listed in the table in the same row as the coil being replaced, that part needs to be purchased to make sure the line-set will be able to attach to the replacement coil. Furthermore if there is a tube kit part in that row it will also be required along with the TXV kit.

To determine the needed replacement coil for your application you need to find your existing coil on the tables listed below and choose the corresponding coil in the same row. We recommend using like technology for your replacements however if another option is listed it is acceptable to use that coil. Charging for an unlike technology replacement will be up to the contractor based off of superheat and sub-cooling.

Selecting the Replacement Coil

To select the correct replacement coil you will need the following information

- Complete model description of indoor unit
- Outdoor condenser type (Air Conditioning only or Heat Pump)

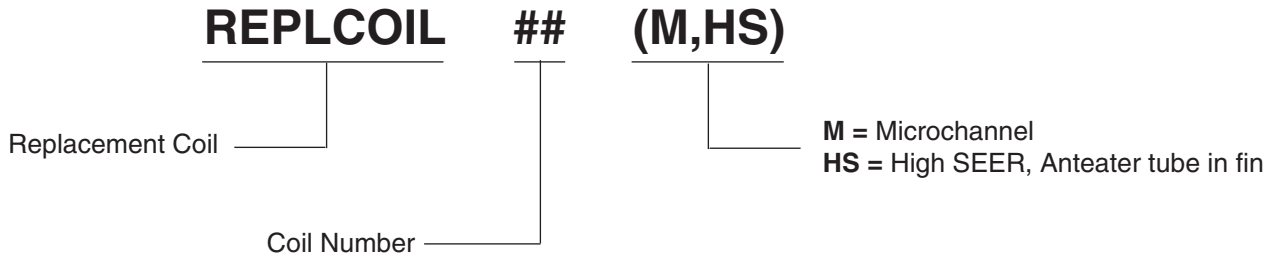
Once you have the information necessary find your indoor model description on the left side column. Once you find the correct row, slide one column to the right and select your condenser type. Continue to slide to the next column and you will have the replacement coil. In addition to the coil there may be required TXV's, tube kits, and line-set connectors that are required. If any part numbers are listed in the same row, those parts are required.

TABLE OF CONTENTS

C3 R22 WITH ORIFICE AND BRAZED CONNECTIONS	4
C3 R22 WITH ORIFICE AND QUICK CONNECT CONNECTIONS	4
C3 R22 WITH ORIFICE AND DOWNTURN CONNECTIONS	4
C4 R410A WITH TXV AND BRAZED CONNECTIONS	5
C5 IQ COILS (EXV AND BRAZED CONNECTIONS)	5
C5 R22 WITH ORIFICE AND BRAZED CONNECTIONS	6
C5 R22 WITH TXV BRAZED CONNECTIONS	7
C5 R22 WITH TXV AND QUICK CONNECT CONNECTIONS	8
C5 R22 WITH TXV DOWNTURN CONNECTIONS	9
C5 R410A WITH TXV AND BRAZED CONNECTIONS	10
C5 R410A WITH TXV AND QUICK CONNECT CONNECTIONS	11
C5 R410A WITH TXV AND DOWNTURN CONNECTIONS	12
C6 R22 VERTICAL COILS WITH TXV AND BRAZED CONNECTIONS	13
C6 R22 HORIZONTAL COILS WITH TXV AND BRAZED CONNECTIONS	13
C6 R410A VERTICAL COILS WITH TXV AND BRAZED CONNECTIONS.....	14
C6 R410A HORIZONTAL COILS WITH TXV AND BRAZED CONNECTIONS	14
C6 IQ COILS (EXV AND BRAZED CONNECTIONS)	15
C6 FLEX COILS WITH ORIFICE AND BRAZED CONNECTIONS.....	15
C7 R410A WITH ORIFICE AND BRAZED CONNECTIONS	16
C7 R410AHORIZONTAL COILS WITH ORIFICE AND BRAZED CONNECTIONS	16
C7 R410A UNCASSED COILS WITH ORIFICE AND BRAZED CONNECTIONS	16
C7 R410A WITH TXV AND BRAZED CONNECTIONS	17
C7 R410A HORIZONTAL COILS WITH TXV AND BRAZED CONNECTIONS	17
C7 R410A UNCASSED COILS WITH TXV AND BRAZED CONNECTIONS.....	18
C8BAM(O, X) 410A STRAIGHT BRAZED CONNECTION	19
C8DAM(O, X) 410A DOWNTURN BRAZED CONNECTION	19
C8QAM(O, X) 410A DOWNTURN QUICK CONNECT	19
C74BAM0 SERIES CASSED INDOOR COIL (ORIFICE).....	20
C74BHM0 SERIES HORIZONTAL CASSED INDOOR COIL (ORIFICE)	20
C74BAM0 SERIES UNCASSED INDOOR COIL (ORIFICE).....	20
C74BAMX SERIES CASSED INDOOR COIL (TXV).....	21
C74BHMX SERIES HORIZONTAL CASSED INDOOR COIL (TXV).....	21
C84DAMX 410A DOWNTURN BRAZED CONNECTION	22
C84QAMX 410A DOWNTURN QUICK CONNECT	22
B3 AIR HANDLERS WITH BRAZED CONNECTIONS	23
B3BM WALL MOUNT AIR HANDLER COILS.....	23
B4 VSHE AND TXV R410A AIR HANDLER WITH BRAZED CONNECTIONS	24
B5 AIR HANDLER WITH ORIFICE AND BRAZED CONNECTIONS	25
B5 AIR HANDLER WITH R22 TXV AND BRAZED CONNECTIONS	26
B5 PSC AND ORIFICE, 115V AIR HANDLERS.....	26
B5BW WALL MOUNT AIR HANDLER COILS	26
B5 AIR HANDLER WITH R410A TXV AND BRAZED CONNECTIONS	27
B6BMMO PSC AND ORIFICE AIR HANDLER WITH BRAZED CONNECTIONS.....	28
B6BM PSC AND TXV AIR HANDLER WITH TUBE AND FIN AND BRAZED CONNECTIONS..	28
B6BMMX PSC AND TXV AIR HANDLER WITH BRAZED CONNECTIONS.....	28
B6EMMX FSHE AND TXV AIR HANDLER WITH BRAZED CONNECTIONS.....	28
B6VMAX AIR HANDLER.....	29
B6BW WALL MOUNT AIR HANDLER COILS	29
B6EW WALL MOUNT AIR HANDLER COILS	29
B64BMMO PSC AND ORIFICE AIR HANDLER WITH BRAZED CONNECTIONS	30
B64BMMX PSC AND TXV AIR HANDLER WITH BRAZED CONNECTIONS.....	30
B64EMMX FSHE AND TXV AIR HANDLER WITH BRAZED CONNECTIONS.....	30
B64VMMX AIR HANDLER	30
B64EW WALL MOUNT AIR HANDLER COILS	30

MODEL IDENTIFICATION CODES

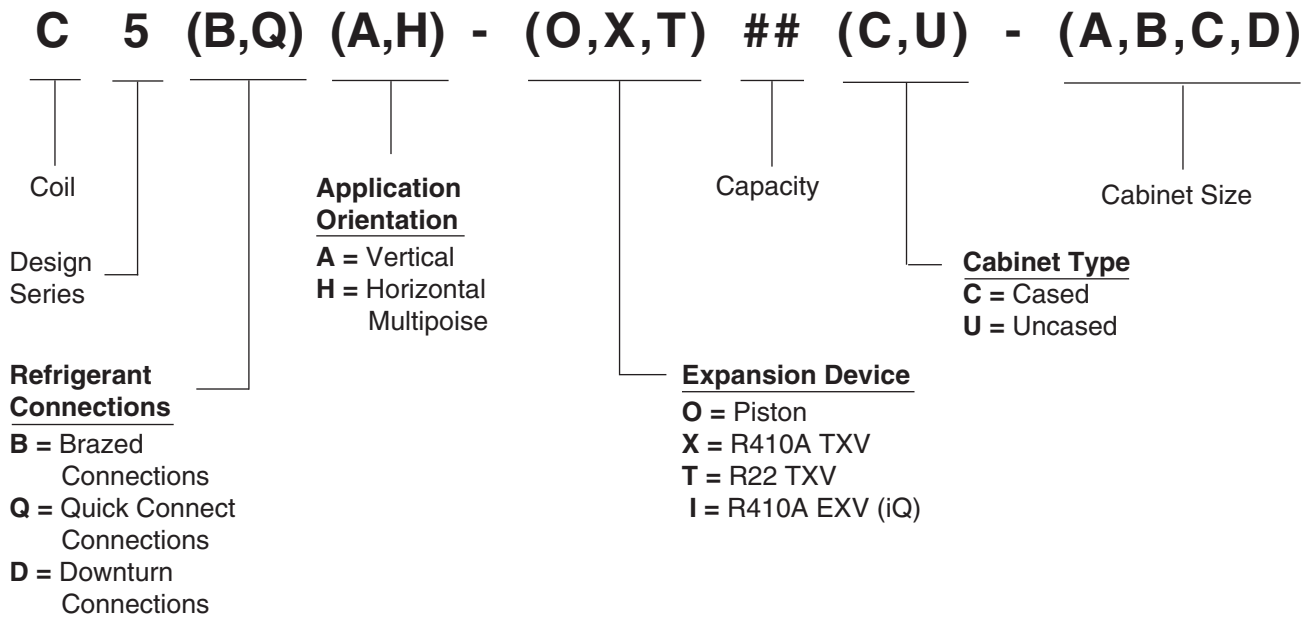
EX: REPLCOIL##(M,HS)



QA = Quick Connect, "A" Coil

DA = Downturn, "A" Coil

EX: C5(B,Q)(A,H) - (O,X,T)##(C,U) - (A,B,C,D)



C3 R22 WITH ORIFICE AND BRAZED CONNECTIONS

Indoor Coil Model	Outdoor Unit	Indoor Replacement Technology	Replacement Indoor Coil	Replacement Coil Part #
C3B(A,H)-024(C,U)-A	Heat Pump and AC	Tube and Fin	REPLCOIL06HS	921324
C3B(A,H)-030(C,U)-A	Heat Pump and AC	Tube and Fin	REPLCOIL01HS	921951
C3B(A,H)-030(C,U)-B	Heat Pump and AC	Tube and Fin	REPLCOIL02HS	921952
C3B(A,H)-036(C,U)-A	Heat Pump and AC	Tube and Fin	REPLCOIL01HS	921951
C3B(A,H)-036(C,U)-B	Heat Pump and AC	Tube and Fin	REPLCOIL02HS	921952
C3B(A,H)-042(C,U)-B	Heat Pump and AC	Tube and Fin	REPLCOIL02HS	921952
C3B(A,H)-043(C,U)-A	Heat Pump and AC	Tube and Fin	REPLCOIL01HS	921951
C3B(A,H)-048(C,U)-B	Heat Pump and AC	Tube and Fin	REPLCOIL02HS	921952
C3B(A,H)-048(C,U)-C	Heat Pump and AC	Tube and Fin	REPLCOIL07HS	922503
C3B(A,H)-050(C,U)-B	Heat Pump and AC	Tube and Fin	REPLCOIL02HS	921952
C3B(A,H)-054(C,U)-B	Heat Pump and AC	Tube and Fin	REPLCOIL02HS	921952
C3B(A,H)-060(C,U)-C	Heat Pump and AC	Tube and Fin	REPLCOIL04HS	921954

C3 R22 WITH ORIFICE AND QUICK CONNECT CONNECTIONS

Indoor Coil Model	Outdoor Unit	Indoor Replacement Technology	Replacement Indoor Coil	Replacement Coil Part #	Quick Connect Couplings (Required)
C3QA-024U-B	Heat Pump and AC	Tube and Fin	REPLCOIL02HS	921952	921339
C3QA-030U-B	Heat Pump and AC	Tube and Fin	REPLCOIL02HS	921952	921339
C3QA-036U-B	Heat Pump and AC	Tube and Fin	REPLCOIL02HS	921952	921339
C3QA-042U-B	Heat Pump and AC	Tube and Fin	REPLCOIL02HS	921952	921339
C3QA-047U-B	Heat Pump and AC	Tube and Fin	REPLCOIL02HS	921952	921339
C3QA-048U-B	Heat Pump and AC	Tube and Fin	REPLCOIL02HS	921952	921339
C3Q(A,D)-054U-B	Heat Pump and AC	Tube and Fin	REPLCOIL02HS	921952	921339
C3QA-055U-B	Heat Pump and AC	Tube and Fin	REPLCOIL02HS	921952	921339

C3 R22 WITH ORIFICE AND DOWNTURN CONNECTIONS

Indoor Coil Model	Outdoor Unit	Indoor Replacement Technology	Replacement Indoor Coil	Replacement Coil Part #	Quick Connect Couplings (Required)
C3DA-024U-B	Heat Pump and AC	Tube and Fin	REPLCOIL02HS	921952	921337
C3DA-030U-B	Heat Pump and AC	Tube and Fin	REPLCOIL02HS	921952	921337
C3DA-036U-B	Heat Pump and AC	Tube and Fin	REPLCOIL02HS	921952	921337
C3DA-042U-B	Heat Pump and AC	Tube and Fin	REPLCOIL02HS	921952	921337
C3DA-047U-B	Heat Pump and AC	Tube and Fin	REPLCOIL02HS	921952	921337
C3DA-048U-B	Heat Pump and AC	Tube and Fin	REPLCOIL02HS	921952	921337
C3DA-055U-B	Heat Pump and AC	Tube and Fin	REPLCOIL02HS	921952	921337
C3QA-055U-B	Heat Pump and AC	Tube and Fin	REPLCOIL02HS	921952	921339

C4 R410A WITH TXV AND BRAZED CONNECTIONS

Indoor Coil Model	Outdoor Unit	Indoor Replacement Technology	Replacement Indoor Coil	Replacement Coil Part #	TXV (Required)	Tube Kit (Required)
C4B(A,H)-X24(C,U)-B	Heat Pump	Tube and Fin	REPLCOIL02HS	921952	920668A	921288
	Air Conditioner	Tube and Fin	REPLCOIL02HS	921952	920668A	921288
		Micro Channel	REPLCOIL02M	921483	920668A	921733
C4B(A,H)-X36(C,U)-B	Heat Pump	Tube and Fin	REPLCOIL03HS	921953	920670A	921289
	Air Conditioner	Tube and Fin	REPLCOIL03HS	921953	920670A	921289
		Micro Channel	REPLCOIL03M	921484	920670A	921734
C4B(A,H)-X48(C,U)-C	Heat Pump	Tube and Fin	REPLCOIL05HS	921955	920672A	921291
	Air Conditioner	Tube and Fin	REPLCOIL05HS	921955	920672A	921291
		Micro Channel	REPLCOIL05M	921486	920672A	921735
C4B(A,H)-X60(C,U)-C	Heat Pump	Tube and Fin	REPLCOIL05HS	921955	920673A	921291
	Air Conditioner	Tube and Fin	REPLCOIL05HS	921955	920673A	921291
		Micro Channel	REPLCOIL05M	921486	920673A	921735

C5 IQ COILS (EXV AND BRAZED CONNECTIONS)

Indoor Coil Model	Outdoor Unit	Indoor Replacement Technology	Replacement Coil Part #
C5BH-E36C-B	Heat Pump and Air Conditioner	Tube and Fin	921896
C5BH-E48C-C	Heat Pump and Air Conditioner	Tube and Fin	921897

C5 R22 WITH ORIFICE AND BRAZED CONNECTIONS

Indoor Coil Model	Outdoor Unit	Indoor Replacement Technology	Replacement Indoor Coil	Replacement Coil Part #	TXV (Required)	Tube Kit (Required)
C5B(A,H)-024U-A	Heat Pump	Tube and Fin	REPLCOIL01HS	921951	-	-
	Air Conditioner	Tube and Fin	REPLCOIL01HS	921951	-	-
		Micro Channel	REPLCOIL01M	921482	920662A	921732
C5B(A,H)-025U-A	Heat Pump	Tube and Fin	REPLCOIL01HS	921951	-	-
	Air Conditioner	Tube and Fin	REPLCOIL01HS	921951	-	-
		Micro Channel	REPLCOIL01M	921482	920662A	921732
C5B(A,H)-024U-B	Heat Pump	Tube and Fin	REPLCOIL02HS	921952	-	-
	Air Conditioner	Tube and Fin	REPLCOIL02HS	921952	-	-
		Micro Channel	REPLCOIL02M	921483	920662A	921733
C5B(A,H)-025U-B	Heat Pump	Tube and Fin	REPLCOIL02HS	921952	-	-
	Air Conditioner	Tube and Fin	REPLCOIL02HS	921952	-	-
		Micro Channel	REPLCOIL02M	921483	920662A	921733
C5B(A,H)-030U-A	Heat Pump	Tube and Fin	REPLCOIL01HS	921951	-	-
	Air Conditioner	Tube and Fin	REPLCOIL01HS	921951	-	-
		Micro Channel	REPLCOIL01M	921482	920663A	921732
C5B(A,H)-030U-B	Heat Pump	Tube and Fin	REPLCOIL02HS	921952	-	-
	Air Conditioner	Tube and Fin	REPLCOIL02HS	921952	-	-
		Micro Channel	REPLCOIL02M	921483	920663A	921733
C5B(A,H)-036U-B	Heat Pump	Tube and Fin	REPLCOIL02HS	921952	-	-
	Air Conditioner	Tube and Fin	REPLCOIL02HS	921952	-	-
		Micro Channel	REPLCOIL02M	921483	920664A	921733
C5B(A,H)-037U-B	Heat Pump	Tube and Fin	REPLCOIL03HS	921953	-	-
	Air Conditioner	Tube and Fin	REPLCOIL03HS	921953	-	-
		Micro Channel	REPLCOIL03M	921484	920664A	921734
C5B(A,H)-042U-B	Heat Pump	Tube and Fin	REPLCOIL03HS	921953	-	-
	Air Conditioner	Tube and Fin	REPLCOIL03HS	921953	-	-
		Micro Channel	REPLCOIL03M	921484	920665A	921734
C5B(A,H)-043U-B	Heat Pump	Tube and Fin	REPLCOIL03HS	921953	-	-
	Air Conditioner	Tube and Fin	REPLCOIL03HS	921953	-	-
		Micro Channel	REPLCOIL03M	921484	920665A	921734
C5B(A,H)-048U-B	Heat Pump	Tube and Fin	REPLCOIL03HS	921953	-	-
	Air Conditioner	Tube and Fin	REPLCOIL03HS	921953	-	-
		Micro Channel	REPLCOIL03M	921484	920666A	921734
C5B(A,H)-048U-C	Heat Pump	Tube and Fin	REPLCOIL04HS	921954	-	-
	Air Conditioner	Tube and Fin	REPLCOIL04HS	921954	-	-
		Micro Channel	REPLCOIL04M	921485	920666A	921735
C5B(A,H)-049U-C	Heat Pump	Tube and Fin	REPLCOIL05HS	921955	-	-
	Air Conditioner	Tube and Fin	REPLCOIL05HS	921955	-	-
		Micro Channel	REPLCOIL05M	921486	920666A	921736
C5B(A,H)-060U-C	Heat Pump	Tube and Fin	REPLCOIL05HS	921955	-	-
	Air Conditioner	Tube and Fin	REPLCOIL05HS	921955	-	-
		Micro Channel	REPLCOIL05M	921486	920667A	921736

C5 R22 WITH TXV BRAZED CONNECTIONS

Indoor Coil Model	Outdoor Unit	Indoor Replacement Technology	Replacement Indoor Coil	Replacement Coil Part #	TXV (Required)	Tube Kit (Required)
C5B(A,H)-T24U-A	Heat Pump	Tube and Fin	REPLCOIL01HS	921951	920667A	921287
	Air Conditioner	Tube and Fin	REPLCOIL01HS	921951	920667A	921287
		Micro Channel	REPLCOIL01M	921482	920667A	921732
C5B(A,H)-T25U-A	Heat Pump	Tube and Fin	REPLCOIL01HS	921951	920667A	921287
	Air Conditioner	Tube and Fin	REPLCOIL01HS	921951	920667A	921287
		Micro Channel	REPLCOIL01M	921482	920667A	921732
C5B(A,H)-T24U-B	Heat Pump	Tube and Fin	REPLCOIL02HS	921952	920662A	921288
	Air Conditioner	Tube and Fin	REPLCOIL02HS	921952	920662A	921288
		Micro Channel	REPLCOIL02M	921483	920662A	921733
C5B(A,H)-T25U-B	Heat Pump	Tube and Fin	REPLCOIL02HS	921952	920662A	921288
	Air Conditioner	Tube and Fin	REPLCOIL02HS	921952	920662A	921288
		Micro Channel	REPLCOIL02M	921483	920662A	921733
C5B(A,H)-T30U-A	Heat Pump	Tube and Fin	REPLCOIL01HS	921951	920663A	921287
	Air Conditioner	Tube and Fin	REPLCOIL01HS	921951	920663A	921287
		Micro Channel	REPLCOIL01M	921482	920663A	921732
C5B(A,H)-T30U-B	Heat Pump	Tube and Fin	REPLCOIL02HS	921952	920663A	921288
	Air Conditioner	Tube and Fin	REPLCOIL02HS	921952	920663A	921288
		Micro Channel	REPLCOIL02M	921483	920663A	921733
C5B(A,H)-T36U-B	Heat Pump	Tube and Fin	REPLCOIL02HS	921952	920664A	921288
	Air Conditioner	Tube and Fin	REPLCOIL02HS	921952	920664A	921288
		Micro Channel	REPLCOIL02M	921483	920664A	921733
C5B(A,H)-T37U-B	Heat Pump	Tube and Fin	REPLCOIL03HS	921953	920664A	921289
	Air Conditioner	Tube and Fin	REPLCOIL03HS	921953	920664A	921289
		Micro Channel	REPLCOIL03M	921484	920664A	921734
C5B(A,H)-T42U-B	Heat Pump	Tube and Fin	REPLCOIL03HS	921953	920665A	921288
	Air Conditioner	Tube and Fin	REPLCOIL03HS	921953	920665A	921288
		Micro Channel	REPLCOIL03M	921484	920665A	921734
C5B(A,H)-T43U-B	Heat Pump	Tube and Fin	REPLCOIL03HS	921953	920665A	921288
	Air Conditioner	Tube and Fin	REPLCOIL03HS	921953	920665A	921288
		Micro Channel	REPLCOIL03M	921484	920665A	921734
C5B(A,H)-T48U-B	Heat Pump	Tube and Fin	REPLCOIL03HS	921953	920666A	921289
	Air Conditioner	Tube and Fin	REPLCOIL03HS	921953	920666A	921289
		Micro Channel	REPLCOIL03M	921484	920666A	921734
C5B(A,H)-T48U-C	Heat Pump	Tube and Fin	REPLCOIL04HS	921954	920666A	921290
	Air Conditioner	Tube and Fin	REPLCOIL04HS	921954	920666A	921290
		Micro Channel	REPLCOIL04M	921485	920666A	921735
C5B(A,H)-T49U-C	Heat Pump	Tube and Fin	REPLCOIL05HS	921955	920666A	921291
	Air Conditioner	Tube and Fin	REPLCOIL05HS	921955	920666A	921291
		Micro Channel	REPLCOIL05M	921486	920666A	921736
C5B(A,H)-T60U-C	Heat Pump	Tube and Fin	REPLCOIL05HS	921955	920667A	921291
	Air Conditioner	Tube and Fin	REPLCOIL05HS	921955	920667A	921291
		Micro Channel	REPLCOIL05M	921486	920667A	921736

C5 R22 WITH TXV AND QUICK CONNECT CONNECTIONS

Indoor Coil Model	Outdoor Unit	Indoor Replacement Technology	Replacement Indoor Coil	Replacement Coil Part #	TXV (Required)	Tube Kit (Required)	Quick Connect Couplings
C5QA-T24U-A	Heat Pump	Tube and Fin	REPLCOIL01HS	921951	920662A	921287	921339
	Air Conditioner	Tube and Fin	REPLCOIL01HS	921951	920662A	921287	921339
		Micro Channel	REPLCOIL01M	921482	920662A	921732	921339
C5QA-T25U-B	Heat Pump	Tube and Fin	REPLCOIL02HS	921952	920662A	921288	921339
	Air Conditioner	Tube and Fin	REPLCOIL02HS	921952	920662A	921288	921339
		Micro Channel	REPLCOIL02M	921483	920662A	921733	921339
C5QA-T30U-B	Heat Pump	Tube and Fin	REPLCOIL02HS	921952	920663A	921288	921339
	Air Conditioner	Tube and Fin	REPLCOIL02HS	921952	920663A	921288	921339
		Micro Channel	REPLCOIL02M	921483	920663A	921733	921339
C5QA-T36U-B	Heat Pump	Tube and Fin	REPLCOIL02HS	921952	920664A	921288	921339
	Air Conditioner	Tube and Fin	REPLCOIL02HS	921952	920664A	921288	921339
		Micro Channel	REPLCOIL02M	921483	920664A	921733	921339
C5QA-T37U-B	Heat Pump	Tube and Fin	REPLCOIL03HS	921953	920664A	921289	921339
	Air Conditioner	Tube and Fin	REPLCOIL03HS	921953	920664A	921289	921339
		Micro Channel	REPLCOIL03M	921484	920664A	921734	921339
C5QA-T41U-B	Heat Pump	Tube and Fin	REPLCOIL02HS	921952	920665A	921288	921339
	Air Conditioner	Tube and Fin	REPLCOIL02HS	921952	920665A	921288	921339
		Micro Channel	REPLCOIL02M	921483	920665A	921733	921339
C5QA-T42U-B	Heat Pump	Tube and Fin	REPLCOIL02HS	921952	920665A	921288	921339
	Air Conditioner	Tube and Fin	REPLCOIL02HS	921952	920665A	921288	921339
		Micro Channel	REPLCOIL02M	921483	920665A	921733	921339
C5QA-T43U-B	Heat Pump	Tube and Fin	REPLCOIL03HS	921953	920665A	921289	921339
	Air Conditioner	Tube and Fin	REPLCOIL03HS	921953	920665A	921289	921339
		Micro Channel	REPLCOIL03M	921484	920665A	921734	921339
C5QA-T47U-B	Heat Pump	Tube and Fin	REPLCOIL02HS	921952	920666A	921288	921339
	Air Conditioner	Tube and Fin	REPLCOIL02HS	921952	920666A	921288	921339
		Micro Channel	REPLCOIL02M	921483	920666A	921733	921339
C5QA-T48U-B	Heat Pump	Tube and Fin	REPLCOIL03HS	921953	920666A	921289	921339
	Air Conditioner	Tube and Fin	REPLCOIL03HS	921953	920666A	921289	921339
		Micro Channel	REPLCOIL03M	921484	920666A	921744	921339
C5QA-T49U-C	Heat Pump	Tube and Fin	REPLCOIL05HS	921955	920666A	921291	921339
	Air Conditioner	Tube and Fin	REPLCOIL05HS	921955	920666A	921291	921339
		Micro Channel	REPLCOIL05M	921486	920666A	921736	921339
C5QA-T60U-C	Heat Pump	Tube and Fin	REPLCOIL05HS	921955	920667A	921291	921339
	Air Conditioner	Tube and Fin	REPLCOIL05HS	921955	920667A	921291	921339
		Micro Channel	REPLCOIL05M	921486	920667A	921736	921339

C5 R22 WITH TXV DOWNTURN CONNECTIONS

Indoor Coil Model	Outdoor Unit	Indoor Replacement Technology	Replacement Indoor Coil	Replacement Coil Part #	TXV (Required)	Tube Kit (Required)	Downturn Couplings (Required)
C5DA-T25U-B	Heat Pump	Tube and Fin	REPLCOIL02HS	921952	920662A	921288	921337
	Air Conditioner	Tube and Fin	REPLCOIL02HS	921952	920662A	921288	921337
		Micro Channel	REPLCOIL02M	921483	920662A	921733	921337
C5DA-T30U-B	Heat Pump	Tube and Fin	REPLCOIL02HS	921952	920663A	921288	921337
	Air Conditioner	Tube and Fin	REPLCOIL02HS	921952	920663A	921288	921337
		Micro Channel	REPLCOIL02M	921483	920663A	921733	921337
C5DA-T36U-B	Heat Pump	Tube and Fin	REPLCOIL02HS	921952	920664A	921288	921337
	Air Conditioner	Tube and Fin	REPLCOIL02HS	921952	920664A	921288	921337
		Micro Channel	REPLCOIL02M	921483	920664A	921733	921337
C5DA-T37U-B	Heat Pump	Tube and Fin	REPLCOIL03HS	921953	920664A	921289	921337
	Air Conditioner	Tube and Fin	REPLCOIL03HS	921953	920664A	921289	921337
		Micro Channel	REPLCOIL03M	921484	920664A	921734	921337
C5DA-T41U-B	Heat Pump	Tube and Fin	REPLCOIL02HS	921952	920665A	921288	921337
	Air Conditioner	Tube and Fin	REPLCOIL02HS	921952	920665A	921288	921337
		Micro Channel	REPLCOIL02M	921483	920665A	921733	921337
C5DA-T42U-B	Heat Pump	Tube and Fin	REPLCOIL02HS	921952	920665A	921288	921337
	Air Conditioner	Tube and Fin	REPLCOIL02HS	921952	920665A	921288	921337
		Micro Channel	REPLCOIL02M	921483	920665A	921733	921337
C5DA-T43U-B	Heat Pump	Tube and Fin	REPLCOIL03HS	921953	920665A	921289	921337
	Air Conditioner	Tube and Fin	REPLCOIL03HS	921953	920665A	921289	921337
		Micro Channel	REPLCOIL03M	921484	920665A	921734	921337
C5DA-T47U-B	Heat Pump	Tube and Fin	REPLCOIL02HS	921952	920666A	921288	921337
	Air Conditioner	Tube and Fin	REPLCOIL02HS	921952	920666A	921288	921337
		Micro Channel	REPLCOIL02M	921483	920666A	921733	921337
C5DA-T48U-B	Heat Pump	Tube and Fin	REPLCOIL03HS	921953	920666A	921289	921337
	Air Conditioner	Tube and Fin	REPLCOIL03HS	921953	920666A	921289	921337
		Micro Channel	REPLCOIL03M	921484	920666A	921744	921337
C5DA-T49U-C	Heat Pump	Tube and Fin	REPLCOIL05HS	921955	920666A	921291	921337
	Air Conditioner	Tube and Fin	REPLCOIL05HS	921955	920666A	921291	921337
		Micro Channel	REPLCOIL05M	921486	920666A	921736	921337
C5DA-T60U-C	Heat Pump	Tube and Fin	REPLCOIL05HS	921955	920667A	921291	921337
	Air Conditioner	Tube and Fin	REPLCOIL05HS	921955	920667A	921291	921337
		Micro Channel	REPLCOIL05M	921486	920667A	921736	921337

C5 R410A WITH TXV AND BRAZED CONNECTIONS

Indoor Coil Model	Outdoor Unit	Indoor Replacement Technology	Replacement Indoor Coil	Replacement Coil Part #	TXV (Required)	Tube Kit (Required)
C5BA-X24U-A	Heat Pump	Tube and Fin	REPLCOIL01HS	921951	920668A	921287
	Air Conditioner	Tube and Fin	REPLCOIL01HS	921951	920668A	921287
		Micro Channel	REPLCOIL01M	921482	920668A	921732
C5BA-X25U-A	Heat Pump	Tube and Fin	REPLCOIL01HS	921951	920668A	921287
	Air Conditioner	Tube and Fin	REPLCOIL01HS	921951	920668A	921287
		Micro Channel	REPLCOIL01M	921482	920668A	921732
C5BA-X24U-B	Heat Pump	Tube and Fin	REPLCOIL02HS	921952	920668A	921288
	Air Conditioner	Tube and Fin	REPLCOIL02HS	921952	920668A	921288
		Micro Channel	REPLCOIL02M	921483	920668A	921733
C5BA-X25U-B	Heat Pump	Tube and Fin	REPLCOIL02HS	921952	920668A	921288
	Air Conditioner	Tube and Fin	REPLCOIL02HS	921952	920668A	921288
		Micro Channel	REPLCOIL02M	921483	920668A	921733
C5BA-X30U-A	Heat Pump	Tube and Fin	REPLCOIL01HS	921951	920669A	921287
	Air Conditioner	Tube and Fin	REPLCOIL01HS	921951	920669A	921287
		Micro Channel	REPLCOIL01M	921482	920669A	921732
C5BA-X30U-B	Heat Pump	Tube and Fin	REPLCOIL02HS	921952	920669A	921288
	Air Conditioner	Tube and Fin	REPLCOIL02HS	921952	920669A	921288
		Micro Channel	REPLCOIL02M	921483	920669A	921733
C5BA-X36U-A	Heat Pump	Tube and Fin	REPLCOIL01HS	921951	920670A	921287
	Air Conditioner	Tube and Fin	REPLCOIL01HS	921951	920670A	921287
		Micro Channel	REPLCOIL01M	921482	920670A	921732
C5BA-X36U-B	Heat Pump	Tube and Fin	REPLCOIL02HS	921952	920670A	921288
	Air Conditioner	Tube and Fin	REPLCOIL02HS	921952	920670A	921288
		Micro Channel	REPLCOIL02M	921483	920670A	921733
C5BA-X37U-B	Heat Pump	Tube and Fin	REPLCOIL03HS	921953	920670A	921289
	Air Conditioner	Tube and Fin	REPLCOIL03HS	921953	920670A	921289
		Micro Channel	REPLCOIL03M	921484	920670A	921734
C5BA-X42U-B	Heat Pump	Tube and Fin	REPLCOIL03HS	921953	920671A	921288
	Air Conditioner	Tube and Fin	REPLCOIL03HS	921953	920671A	921288
		Micro Channel	REPLCOIL03M	921484	920671A	921733
C5BA-X48U-B	Heat Pump	Tube and Fin	REPLCOIL03HS	921953	920672A	921289
	Air Conditioner	Tube and Fin	REPLCOIL03HS	921953	920672A	921289
		Micro Channel	REPLCOIL03M	921484	920672A	921734
C5BA-X48U-C	Heat Pump	Tube and Fin	REPLCOIL04HS	921954	920672A	921290
	Air Conditioner	Tube and Fin	REPLCOIL04HS	921954	920672A	921290
		Micro Channel	REPLCOIL04M	921485	920672A	921735
C5BA-X49U-C	Heat Pump	Tube and Fin	REPLCOIL05HS	921955	920672A	921291
	Air Conditioner	Tube and Fin	REPLCOIL05HS	921955	920672A	921291
		Micro Channel	REPLCOIL05M	921486	920672A	921736
C5BA-X60U-C	Heat Pump	Tube and Fin	REPLCOIL05HS	921955	920673A	921291
	Air Conditioner	Tube and Fin	REPLCOIL05HS	921955	920673A	921291
		Micro Channel	REPLCOIL05M	921486	920673A	921736

C5 R410A WITH TXV AND QUICK CONNECT CONNECTIONS

Indoor Coil Model	Outdoor Unit	Indoor Replacement Technology	Replacement Indoor Coil	Replacement Coil Part #	TXV (Required)	Tube Kit (Required)	Quick Connect Couplings
C5QA-X25U-B	Heat Pump	Tube and Fin	REPLCOIL02HS	921952	920668A	921288	921339
	Air Conditioner	Tube and Fin	REPLCOIL02HS	921952	920668A	921288	921339
		Micro Channel	REPLCOIL02M	921483	920668A	921733	921339
C5QA-X30U-B	Heat Pump	Tube and Fin	REPLCOIL02HS	921952	920669A	921288	921339
	Air Conditioner	Tube and Fin	REPLCOIL02HS	921952	920669A	921288	921339
		Micro Channel	REPLCOIL02M	921483	920669A	921733	921339
C5QA-X36U-B	Heat Pump	Tube and Fin	REPLCOIL02HS	921952	920670A	921288	921339
	Air Conditioner	Tube and Fin	REPLCOIL02HS	921952	920670A	921288	921339
		Micro Channel	REPLCOIL02M	921483	920670A	921733	921339
C5QA-X37U-B	Heat Pump	Tube and Fin	REPLCOIL03HS	921953	920670A	921289	921339
	Air Conditioner	Tube and Fin	REPLCOIL03HS	921953	920670A	921289	921339
		Micro Channel	REPLCOIL03M	921484	920670A	921734	921339
C5QA-X42U-B	Heat Pump	Tube and Fin	REPLCOIL02HS	921952	920671A	921288	921339
	Air Conditioner	Tube and Fin	REPLCOIL02HS	921952	920671A	921288	921339
		Micro Channel	REPLCOIL02M	921483	920671A	921733	921339
C5QA-X43U-B	Heat Pump	Tube and Fin	REPLCOIL03HS	921953	920671A	921289	921339
	Air Conditioner	Tube and Fin	REPLCOIL03HS	921953	920671A	921289	921339
		Micro Channel	REPLCOIL03M	921484	920671A	921734	921339
C5QA-X47U-B	Heat Pump	Tube and Fin	REPLCOIL02HS	921952	920672A	921288	921339
	Air Conditioner	Tube and Fin	REPLCOIL02HS	921952	920672A	921288	921339
		Micro Channel	REPLCOIL02M	921483	920672A	921733	921339
C5QA-X48U-B	Heat Pump	Tube and Fin	REPLCOIL03HS	921953	920672A	921289	921339
	Air Conditioner	Tube and Fin	REPLCOIL03HS	921953	920672A	921289	921339
		Micro Channel	REPLCOIL03M	921484	920672A	921734	921339

C5 R410A WITH TXV AND DOWNTURN CONNECTIONS

Indoor Coil Model	Outdoor Unit	Indoor Replacement Technology	Replacement Indoor Coil	Replacement Coil Part #	TXV (Required)	Tube Kit (Required)	Downturn Couplings (Required)
C5DA-X25U-B	Heat Pump	Tube and Fin	REPLCOIL02HS	921952	920668A	921287	921337
	Air Conditioner	Tube and Fin	REPLCOIL02HS	921952	920668A	921287	921337
		Micro Channel	REPLCOIL02M	921483	920668A	921732	921337
C5DA-X30U-B	Heat Pump	Tube and Fin	REPLCOIL02HS	921952	920669A	921288	921337
	Air Conditioner	Tube and Fin	REPLCOIL02HS	921952	920669A	921288	921337
		Micro Channel	REPLCOIL02M	921483	920669A	921733	921337
C5DA-X36U-B	Heat Pump	Tube and Fin	REPLCOIL02HS	921952	920670A	921288	921337
	Air Conditioner	Tube and Fin	REPLCOIL02HS	921952	920670A	921288	921337
		Micro Channel	REPLCOIL02M	921483	920670A	921733	921337
C5DA-X37U-B	Heat Pump	Tube and Fin	REPLCOIL03HS	921953	920670A	921289	921337
	Air Conditioner	Tube and Fin	REPLCOIL03HS	921953	920670A	921289	921337
		Micro Channel	REPLCOIL03M	921484	920670A	921734	921337
C5DA-X42U-B	Heat Pump	Tube and Fin	REPLCOIL02HS	921952	920671A	921288	921337
	Air Conditioner	Tube and Fin	REPLCOIL02HS	921952	920671A	921288	921337
		Micro Channel	REPLCOIL02M	921483	920671A	921733	921337
C5DA-X43U-B	Heat Pump	Tube and Fin	REPLCOIL03HS	921953	920671A	921289	921337
	Air Conditioner	Tube and Fin	REPLCOIL03HS	921953	920671A	921289	921337
		Micro Channel	REPLCOIL03M	921484	920671A	921734	921337
C5DA-X47U-B	Heat Pump	Tube and Fin	REPLCOIL02HS	921952	920672A	921288	921337
	Air Conditioner	Tube and Fin	REPLCOIL02HS	921952	920672A	921288	921337
		Micro Channel	REPLCOIL02M	921483	920672A	921733	921337
C5DA-X48U-B	Heat Pump	Tube and Fin	REPLCOIL03HS	921953	920672A	921289	921337
	Air Conditioner	Tube and Fin	REPLCOIL03HS	921953	920672A	921289	921337
		Micro Channel	REPLCOIL03M	921484	920672A	921734	921337

C6 R22 VERTICAL COILS WITH TXV AND BRAZED CONNECTIONS

Indoor Coil Model	Outdoor Unit	Indoor Replacement Technology	Replacement Indoor Coil	Replacement Coil Part #	TXV (Required)	Coil Box (Required)
C6BA-T24(C,U)-A	Heat Pump Or AC	Tube and Fin	C6BA-F24U-A*	920562A	920662A	920257
C6BA-T24(C,U)-B	Heat Pump Or AC	Tube and Fin	C6BA-F24U-B*	920566A	920662A	920259
C6BA-T30(C,U)-A	Heat Pump Or AC	Tube and Fin	C6BA-F36U-A*	920564A (NLA)	920663A	920257
C6BA-T30(C,U)-B	Heat Pump Or AC	Tube and Fin	C6BA-F36U-B*	920568A	920663A	920259
C6BA-T36(C,U)-B	Heat Pump Or AC	Tube and Fin	C6BA-F42U-B	920570A	920664A	-
C6BA-T36(C,U)-C	Heat Pump Or AC	Tube and Fin	C6BA-F48U-C	920572A	920664A	-
C6BA-T42(C,U)-B	Heat Pump Or AC	Tube and Fin	C6BA-F42U-B	920570A	920665A	-
C6BA-T42(C,U)-C	Heat Pump Or AC	Tube and Fin	C6BA-F48U-C	920572A	920665A	-
C6BA-T42(C,U)-D	Heat Pump Or AC	Tube and Fin	C6BA-F48U-D	920576A	920665A	-
C6BA-T48(C,U)-C	Heat Pump Or AC	Tube and Fin	C6BA-F60U-C	920574A	920666A	-
C6BA-T48(C,U)-D	Heat Pump Or AC	Tube and Fin	C6BA-F60U-D	920578A	920666A	-
C6BA-T60(C,U)-C	Heat Pump Or AC	Tube and Fin	C6BA-F60U-C	920574A	920667A	-
C6BA-T60(C,U)-D	Heat Pump Or AC	Tube and Fin	C6BA-F60U-D	920578A	920667A	-

* Requires the addition of a C6 coil box

C6 R22 HORIZONTAL COILS WITH TXV AND BRAZED CONNECTIONS

Indoor Coil Model	Outdoor Unit	Indoor Replacement Technology	Replacement Indoor Coil	Replacement Coil Part #	TXV (Required)	Horizontal Drain Pan Kit
C6BH-T24(C,U)-A	Heat Pump Or AC	Tube and Fin	C6BA-F24U-A	920562A	920662A	920265
C6BH-T24(C,U)-B	Heat Pump Or AC	Tube and Fin	C6BA-F24U-B	920566A	920662A	920265
C6BH-T30(C,U)-A	Heat Pump Or AC	Tube and Fin	C6BA-F36U-A	920564A (NLA)	920663A	920265
C6BH-T30(C,U)-B	Heat Pump Or AC	Tube and Fin	C6BA-F36U-B	920568A	920663A	920265
C6BH-T36(C,U)-B	Heat Pump Or AC	Tube and Fin	C6BA-F42U-B	920570A	920664A	920266
C6BH-T36(C,U)-C	Heat Pump Or AC	Tube and Fin	C6BA-F48U-C	920572A	920664A	920266
C6BH-T42(C,U)-B	Heat Pump Or AC	Tube and Fin	C6BA-F42U-B	920570A	920665A	920266
C6BH-T42(C,U)-C	Heat Pump Or AC	Tube and Fin	C6BA-F48U-C	920572A	920665A	920266
C6BH-T42(C,U)-D	Heat Pump Or AC	Tube and Fin	C6BA-F48U-D	920576A	920665A	920267
C6BH-T48(C,U)-C	Heat Pump Or AC	Tube and Fin	C6BA-F60U-C	920574A	920666A	920267
C6BH-T48(C,U)-D	Heat Pump Or AC	Tube and Fin	C6BA-F60U-D	920578A	920666A	920267
C6BH-T60(C,U)-C	Heat Pump Or AC	Tube and Fin	C6BA-F60U-C	920574A	920667A	920267
C6BH-T60(C,U)-D	Heat Pump Or AC	Tube and Fin	C6BA-F60U-D	920578A	920667A	920267

C6 R410A VERTICAL COILS WITH TXV AND BRAZED CONNECTIONS

Indoor Coil Model	Outdoor Unit	Indoor Replacement Technology	Replacement Indoor Coil	Replacement Coil Part #	TXV (Required)	Coil Box (Required)
C6BA-X24(C,U)-A	Heat Pump Or AC	Tube and Fin	C6BA-F24U-A*	920562A	920668A	920257
C6BA-X24(C,U)-B	Heat Pump Or AC	Tube and Fin	C6BA-F24U-B*	920566A	920668A	920259
C6BA-X26(C,U)-B	Heat Pump Or AC	Tube and Fin	C6BA-F42U-B	920570A	920668A	-
C6BA-X30(C,U)-A	Heat Pump Or AC	Tube and Fin	C6BA-F36U-A*	920564A (NLA)	920669A	920257
C6BA-X30(C,U)-B	Heat Pump Or AC	Tube and Fin	C6BA-F36U-B*	920568A	920669A	920259
C6BA-X30(C,U)-C	Heat Pump Or AC	Tube and Fin	C6BA-F48U-C	920572A	920669A	-
C6BA-X35(C,U)-A	Heat Pump Or AC	Tube and Fin	C6BA-F36U-A*	920564A (NLA)	920670A	920257
C6BA-X35(C,U)-B	Heat Pump Or AC	Tube and Fin	C6BA-F36U-B*	920568A	920670A	920259
C6BA-X36(C,U)-B	Heat Pump Or AC	Tube and Fin	C6BA-F42U-B	920570A	920670A	-
C6BA-X36(C,U)-C	Heat Pump Or AC	Tube and Fin	C6BA-F48U-C	920572A	920670A	-
C6BA-X37(C,U)-C	Heat Pump Or AC	Tube and Fin	C6BA-F60U-C	920574A	920670A	-
C6BA-X42(C,U)-B	Heat Pump Or AC	Tube and Fin	C6BA-F42U-B	920570A	920671A	-
C6BA-X42(C,U)-C	Heat Pump Or AC	Tube and Fin	C6BA-F48U-C	920572A	920671A	-
C6BA-X42(C,U)-D	Heat Pump Or AC	Tube and Fin	C6BA-F48U-D	920576A	920671A	-
C6BA-X47(C,U)-B	Heat Pump Or AC	Tube and Fin	C6BA-F42U-B	920570A	920672A	-
C6BA-X47(C,U)-C	Heat Pump Or AC	Tube and Fin	C6BA-F48U-C	920572A	920672A	-
C6BA-X48(C,U)-C	Heat Pump Or AC	Tube and Fin	C6BA-F60U-C	920574A	920672A	-
C6BA-X48(C,U)-D	Heat Pump Or AC	Tube and Fin	C6BA-F60U-D	920578A	920672A	-
C6BA-X60(C,U)-C	Heat Pump Or AC	Tube and Fin	C6BA-F60U-C	920574A	920673A	-
C6BA-X60(C,U)-D	Heat Pump Or AC	Tube and Fin	C6BA-F60U-D	920578A	920673A	-

* Requires the addition of a C6 coil box

C6 R410A HORIZONTAL COILS WITH TXV AND BRAZED CONNECTIONS

Indoor Coil Model	Outdoor Unit	Indoor Replacement Technology	Replacement Indoor Coil	Replacement Coil Part #	TXV (Required)	Horizontal Drain Pan Kit
C6BH-X24(C,U)-A	Heat Pump Or AC	Tube and Fin	C6BA-F24U-A	920562A	920668A	920265
C6BH-X24(C,U)-B	Heat Pump Or AC	Tube and Fin	C6BA-F24U-B	920566A	920668A	920265
C6BH-X26(C,U)-B	Heat Pump Or AC	Tube and Fin	C6BA-F42U-B	920570A	920668A	920266
C6BH-X30(C,U)-A	Heat Pump Or AC	Tube and Fin	C6BA-F36U-A	920564A (NLA)	920669A	920265
C6BH-X30(C,U)-B	Heat Pump Or AC	Tube and Fin	C6BA-F36U-B	920568A	920669A	920265
C6BH-X30(C,U)-C	Heat Pump Or AC	Tube and Fin	C6BA-F48U-C	920572A	920669A	920266
C6BH-X35(C,U)-A	Heat Pump Or AC	Tube and Fin	C6BA-F36U-A	920564A (NLA)	920670A	920265
C6BH-X35(C,U)-B	Heat Pump Or AC	Tube and Fin	C6BA-F36U-B	920568A	920670A	920265
C6BH-X36(C,U)-B	Heat Pump Or AC	Tube and Fin	C6BA-F42U-B	920570A	920670A	920266
C6BH-X36(C,U)-C	Heat Pump Or AC	Tube and Fin	C6BA-F48U-C	920572A	920670A	920266
C6BH-X37(C,U)-C	Heat Pump Or AC	Tube and Fin	C6BA-F60U-C	920574A	920670A	920267
C6BH-X42(C,U)-B	Heat Pump Or AC	Tube and Fin	C6BA-F42U-B	920570A	920671A	920266
C6BH-X42(C,U)-C	Heat Pump Or AC	Tube and Fin	C6BA-F48U-C	920572A	920671A	920266
C6BH-X42(C,U)-D	Heat Pump Or AC	Tube and Fin	C6BA-F48U-D	920576A	920671A	920267
C6BH-X47(C,U)-B	Heat Pump Or AC	Tube and Fin	C6BA-F42U-B	920570A	920672A	920266
C6BH-X47(C,U)-C	Heat Pump Or AC	Tube and Fin	C6BA-F48U-C	920572A	920672A	920266
C6BH-X48(C,U)-C	Heat Pump Or AC	Tube and Fin	C6BA-F60U-C	920574A	920672A	920267
C6BH-X48(C,U)-D	Heat Pump Or AC	Tube and Fin	C6BA-F60U-D	920578A	920672A	920267
C6BH-X60(C,U)-C	Heat Pump Or AC	Tube and Fin	C6BA-F60U-C	920574A	920673A	920267
C6BH-X60(C,U)-D	Heat Pump Or AC	Tube and Fin	C6BA-F60U-D	920578A	920673A	920267

C6 IQ COILS (EXV AND BRAZED CONNECTIONS)

Indoor Coil Model	Outdoor Unit	Indoor Replacement Technology	Replacement Indoor Coil	Replacement Coil Part #
C6BH-I24C-B	Heat Pump and AC	Tube and Fin	C6BH-I24C-B	920781AP
C6BH-I36C-B	Heat Pump and AC	Tube and Fin	C6BH-I36C-B	920782AP
C6BH-I36C-C	Heat Pump and AC	Tube and Fin	C6BH-I36C-C	920783AP
C6BH-I48C-C	Heat Pump and AC	Tube and Fin	C6BH-I48C-C	920784AP
C6BH-I48C-D	Heat Pump and AC	Tube and Fin	C6BH-I48C-D	920785AP

C6 FLEX COILS WITH ORIFICE AND BRAZED CONNECTIONS

Indoor Coil Model	Outdoor Unit	Indoor Replacement Technology	Replacement Indoor Coil	Replacement Coil Part #	Coil Box
C6BA-F24(C,U)-A	Heat Pump Or AC	Tube and Fin	C6BA-F24U-A*	920562A	920257
C6BA-F24(C,U)-B	Heat Pump Or AC	Tube and Fin	C6BA-F24U-B*	920566A	920259
C6BA-F36(C,U)-A	Heat Pump Or AC	Tube and Fin	C6BA-F36U-A*	920564A (NLA)	920257
C6BA-F36(C,U)-B	Heat Pump Or AC	Tube and Fin	C6BA-F36U-B*	920568A	920259
C6BA-F42(C,U)-B	Heat Pump Or AC	Tube and Fin	C6BA-F42U-B	920570A	-
C6BA-F48(C,U)-C	Heat Pump Or AC	Tube and Fin	C6BA-F48U-C	920572A	-
C6BA-F48(C,U)-D	Heat Pump Or AC	Tube and Fin	C6BA-F48U-D	920576A	-
C6BA-F60(C,U)-C	Heat Pump Or AC	Tube and Fin	C6BA-F60U-C	920574A	-
C6BA-F60(C,U)-D	Heat Pump Or AC	Tube and Fin	C6BA-F60U-D	920578A	-

* Requires the addition of a C6 coil box if manufactured prior to October 2010

R-22 TXV KITS

920662A	R-22 2.0T
920663A	R-22 2.5T
920664A	R-22 3.0T
920665A	R-22 3.5T
920666A	R-22 4.0T
920667A	R-22 5.0T

R-410A TXV KITS

920668	R-410A 2.0T
920669	R-410A 2.5T
920670	R-410A 3.0T
920671	R-410A 3.5T
920672	R-410A 4.0T
920673	R-410A 5.0T

C7 R410A WITH ORIFICE AND BRAZED CONNECTIONS

Indoor Coil Model	Outdoor Unit	Indoor Replacement Technology	Replacement Indoor Coil	Replacement Coil Part #
C7BAM01824C-A	Heat Pump Or AC	Micro Channel	C74BAM018U-A	1041532
C7BAM01824C-B	Heat Pump Or AC	Micro Channel	C74BAM018U-B	1041533
C7BAM03036C-A	Heat Pump Or AC	Micro Channel	C74BAM02430U-A	1041534
C7BAM03036C-B	Heat Pump Or AC	Micro Channel	C74BAM02430U-B	1041535
C7BAM030C-C	Heat Pump Or AC	Micro Channel	C74BAM02430U-C	1041536
C7BAM03642C-B	Heat Pump Or AC	Micro Channel	C74BAM03642U-B	1041537
C7BAM03648C-C	Heat Pump Or AC	Micro Channel	C74BAM03642U-C	1041538
C7BAM042C-D	Heat Pump Or AC	Micro Channel	C74BAM042U-D	1041539
C7BAM048C-C	Heat Pump Or AC	Micro Channel	C74BAM048U-C	1041540
C7BAM048C-D	Heat Pump Or AC	Micro Channel	C74BAM048U-D	1041541
C7BAM060C-C	Heat Pump Or AC	Micro Channel	C74BAM048U-C	1041540
C7BAM060C-D	Heat Pump Or AC	Micro Channel	C74BAM048U-D	1041541

C7 R410AHORIZONTAL COILS WITH ORIFICE AND BRAZED CONNECTIONS

Indoor Coil Model	Outdoor Unit	Indoor Replacement Technology	Replacement Indoor Coil	Replacement Coil Part #	Horizontal Drain Pan Kit
C7BHM01824C-A	Heat Pump Or AC	Micro Channel	C74BHM018C-A	1041512	-
C7BHM01824C-B	Heat Pump Or AC	Micro Channel	C74BHM018C-B	1041513	-
C7BHM03036C-A	Heat Pump Or AC	Micro Channel	C74BHM02430C-A	1041514	-
C7BHM03036C-B	Heat Pump Or AC	Micro Channel	C74BHM02430C-B	1041515	-
C7BHM030C-C	Heat Pump Or AC	Micro Channel	C74BAM02430U-C	1041536	920265
C7BHM03642C-B	Heat Pump Or AC	Micro Channel	C74BAM03642U-B	1041537	920266
C7BHM03648C-C	Heat Pump Or AC	Micro Channel	C74BAM03642U-C	1041538	920266
C7BHM042C-D	Heat Pump Or AC	Micro Channel	C74BAM042U-D	1041539	920267
C7BHM048C-C	Heat Pump Or AC	Micro Channel	C74BAM048U-C	1041540	920267
C7BHM048C-D	Heat Pump Or AC	Micro Channel	C74BAM048U-D	1041541	920267
C7BHM060C-C	Heat Pump Or AC	Micro Channel	C74BAM048U-C	1041540	920267
C7BHM060C-D	Heat Pump Or AC	Micro Channel	C74BAM048U-D	1041541	920267

C7 R410A UNCASSED COILS WITH ORIFICE AND BRAZED CONNECTIONS

Indoor Coil Model	Outdoor Unit	Indoor Replacement Technology	Replacement Indoor Coil	Replacement Coil Part #
C7BAM01824U-A	Heat Pump Or AC	Micro Channel	C74BAM018U-A	1041532
C7BAM01824U-B	Heat Pump Or AC	Micro Channel	C74BAM018U-B	1041533
C7BAM03036U-A	Heat Pump Or AC	Micro Channel	C74BAM02430U-A	1041534
C7BAM03036U-B	Heat Pump Or AC	Micro Channel	C74BAM02430U-B	1041535
C7BAM030U-C	Heat Pump Or AC	Micro Channel	C74BAM02430U-C	1041536
C7BAM03642U-B	Heat Pump Or AC	Micro Channel	C74BAM03642U-B	1041537
C7BAM03648U-C	Heat Pump Or AC	Micro Channel	C74BAM03642U-C	1041538
C7BAM042U-D	Heat Pump Or AC	Micro Channel	C74BAM042U-D	1041539
C7BAM048U-C	Heat Pump Or AC	Micro Channel	C74BAM048U-C	1041540
C7BAM048U-D	Heat Pump Or AC	Micro Channel	C74BAM048U-D	1041541
C7BAM060U-C	Heat Pump Or AC	Micro Channel	C74BAM048U-C	1041540
C7BAM060U-D	Heat Pump Or AC	Micro Channel	C74BAM048U-D	1041541

C7 R410A WITH TXV AND BRAZED CONNECTIONS

Indoor Coil Model	Outdoor Unit	Indoor Replacement Technology	Replacement Indoor Coil	Replacement Coil Part #	TXV (Required)	Tube Kit (Required)
C7BAMX24C-A	Heat Pump Or AC	Micro Channel	C74BAM018U-A	1041532	920668A	921824
C7BAMX24C-B	Heat Pump Or AC	Micro Channel	C74BAM018U-B	1041533	920668A	921825
C7BAMX30C-A	Heat Pump Or AC	Micro Channel	C74BAM02430U-A	1041534	920669A	921824
C7BAMX30C-B	Heat Pump Or AC	Micro Channel	C74BAM02430U-B	1041535	920669A	921825
C7BAMX30C-C	Heat Pump Or AC	Micro Channel	C74BAM02430U-C	1041536	920669A	921827
C7BAMX36C-A	Heat Pump Or AC	Micro Channel	C74BAM02430U-A	1041534	920670A	921824
C7BAMX36C-B	Heat Pump Or AC	Micro Channel	C74BAM03642U-B	1041537	920670A	921825
C7BAMX36C-C	Heat Pump Or AC	Micro Channel	C74BAM03642U-C	1041538	920670A	921828
C7BAMX42C-B	Heat Pump Or AC	Micro Channel	C74BAM03642U-B	1041537	920671A	921826
C7BAMX42C-C	Heat Pump Or AC	Micro Channel	C74BAM03642U-C	1041538	920671A	921828
C7BAMX42C-D	Heat Pump Or AC	Micro Channel	C74BAM042U-D	1041539	920671A	920830
C7BAMX48C-C	Heat Pump Or AC	Micro Channel	C74BAM048U-C	1041540	920672A	921828
C7BAMX48C-D	Heat Pump Or AC	Micro Channel	C74BAM048U-D	1041541	920672A	921831
C7BAMX60C-C	Heat Pump Or AC	Micro Channel	C74BAM048U-C	1041540	920673A	921829
C7BAMX60C-D	Heat Pump Or AC	Micro Channel	C74BAM048U-D	1041541	920673A	921831

C7 R410A HORIZONTAL COILS WITH TXV AND BRAZED CONNECTIONS

Indoor Coil Model	Outdoor Unit	Indoor Replacement Technology	Replacement Indoor Coil	Replacement Coil Part #	TXV (Required)	Tube Kit (Required)	Horizontal Drain Pan Kit
C7BHMx24C-A	Heat Pump Or AC	Micro Channel	C74BHMx24C-A	1041542	-	-	-
C7BHMx24C-B	Heat Pump Or AC	Micro Channel	C74BHMx24C-B	1041543	-	-	-
C7BHMx30C-A	Heat Pump Or AC	Micro Channel	C74BHMx30C-A	1041544	-	-	-
C7BHMx30C-B	Heat Pump Or AC	Micro Channel	C74BHMx30C-B	1041545	-	-	-
C7BHMx30C-C	Heat Pump Or AC	Micro Channel	C74BAM02430U-C	1041536	920669A	921827	920265
C7BHMx36C-A	Heat Pump Or AC	Micro Channel	C74BAM02430U-A*	1041534	920670A	921824	920265
C7BHMx36C-B	Heat Pump Or AC	Micro Channel	C74BAM03642U-B	1041537	920670A	921825	920266
C7BHMx36C-C	Heat Pump Or AC	Micro Channel	C74BAM03642U-C	1041538	920670A	921828	920266
C7BHMx42C-B	Heat Pump Or AC	Micro Channel	C74BAM03642U-B	1041537	920671A	921826	920266
C7BHMx42C-C	Heat Pump Or AC	Micro Channel	C74BAM03642U-C	1041538	920671A	921828	920266
C7BHMx42C-D	Heat Pump Or AC	Micro Channel	C74BAM042U-D	1041539	920671A	920830	920267
C7BHMx48C-C	Heat Pump Or AC	Micro Channel	C74BAM048U-C	1041540	920672A	921828	920267
C7BHMx48C-D	Heat Pump Or AC	Micro Channel	C74BAM048U-D	1041541	920672A	921831	920267
C7BHMx60C-C	Heat Pump Or AC	Micro Channel	C74BAM048U-C	1041540	920673A	921829	920267
C7BHMx60C-D	Heat Pump Or AC	Micro Channel	C74BAM048U-D	1041541	920673A	921831	920267

* Requires the addition of a coil box

C7 R410A UNCASSED COILS WITH TXV AND BRAZED CONNECTIONS

Indoor Coil Model	Outdoor Unit	Indoor Replacement Technology	Replacement Indoor Coil	Replacement Coil Part #	TXV (Required)	Tube Kit (Required)
C7BAMX24U-A	Heat Pump Or AC	Micro Channel	C74BAM018U-A	1041532	920668A	921824
C7BAMX24U-B	Heat Pump Or AC	Micro Channel	C74BAM018U-B	1041533	920668A	921825
C7BAMX30U-A	Heat Pump Or AC	Micro Channel	C74BAM02430U-A	1041534	920669A	921824
C7BAMX30U-B	Heat Pump Or AC	Micro Channel	C74BAM02430U-B	1041535	920669A	921825
C7BAMX30U-C	Heat Pump Or AC	Micro Channel	C74BAM02430U-C	1041536	920669A	921827
C7BAMX36U-A	Heat Pump Or AC	Micro Channel	C74BAM02430U-A	1041534	920670A	921824
C7BAMX36U-B	Heat Pump Or AC	Micro Channel	C74BAM03642U-B	1041537	920670A	921825
C7BAMX36U-C	Heat Pump Or AC	Micro Channel	C74BAM03642U-C	1041538	920670A	921828
C7BAMX42U-B	Heat Pump Or AC	Micro Channel	C74BAM03642U-B	1041537	920671A	921826
C7BAMX42U-C	Heat Pump Or AC	Micro Channel	C74BAM03642U-C	1041538	920671A	921828
C7BAMX42U-D	Heat Pump Or AC	Micro Channel	C74BAM042U-D	1041539	920671A	920830
C7BAMX48U-C	Heat Pump Or AC	Micro Channel	C74BAM048U-C	1041540	920672A	921828
C7BAMX48U-D	Heat Pump Or AC	Micro Channel	C74BAM048U-D	1041541	920672A	921831
C7BAMX60U-C	Heat Pump Or AC	Micro Channel	C74BAM048U-C	1041540	920673A	921829
C7BAMX60U-D	Heat Pump Or AC	Micro Channel	C74BAM048U-D	1041541	920673A	921831

C8BAM(O,X) 410A STRAIGHT BRAZED CONNECTION

Indoor Coil Model	Outdoor Unit	Indoor Replacement Technology	Replacement Indoor Coil	Replacement Coil Part #
C8BAM01830U-B	Heat Pump or AC	Micro Channel	REPLCOIL02M	921483
C8BAM036U-B	Heat Pump or AC	Micro Channel	REPLCOIL02M	921483
C8BAMX24U-B	Heat Pump or AC	Micro Channel	C84DAMX24U-B	1041568
C8BAMX30U-B	Heat Pump or AC	Micro Channel	C84DAMX30U-B	1041569
C8BAMX36U-B	Heat Pump or AC	Micro Channel	C84DAMX36U-B	1041570
C8BAMX42U-B	Heat Pump or AC	Micro Channel	C84DAMX43U-B	1041572
C8BAMX48U-B	Heat Pump or AC	Micro Channel	C84DAMX48U-B	1041573
C8BAMX49U-B	Heat Pump or AC	Micro Channel	C84DAMX49U-B	1041574

C8DAM(O,X) 410A DOWNTURN BRAZED CONNECTION

Indoor Coil Model	Outdoor Unit	Indoor Replacement Technology	Replacement Indoor Coil	Replacement Coil Part #
C8DAM01830U-B	Heat Pump or AC	Micro Channel	REPLCOIL02M	921483
C8DAM036U-B	Heat Pump or AC	Micro Channel	REPLCOIL02M	921483
C8DAMX24U-B	Heat Pump or AC	Micro Channel	C84DAMX24U-B	1041568
C8DAMX30U-B	Heat Pump or AC	Micro Channel	C84DAMX30U-B	1041569
C8DAMX36U-B	Heat Pump or AC	Micro Channel	C84DAMX36U-B	1041570
C8DAMX42U-B	Heat Pump or AC	Micro Channel	C84DAMX43U-B	1041572
C8DAMX48U-B	Heat Pump or AC	Micro Channel	C84DAMX48U-B	1041573
C8DAMX49U-B	Heat Pump or AC	Micro Channel	C84DAMX49U-B	1041574

C8QAM(O,X) 410A DOWNTURN QUICK CONNECT

Indoor Coil Model	Outdoor Unit	Indoor Replacement Technology	Replacement Indoor Coil	Replacement Coil Part #	Quick Connect Couplings (Required)
C8QAM024U-B	Heat Pump or AC	Micro Channel	REPLCOIL02M	921483	921339
C8QAM030U-B	Heat Pump or AC	Micro Channel	REPLCOIL02M	921483	921339
C8QAM036U-B	Heat Pump or AC	Micro Channel	REPLCOIL02M	921483	921339
C8QAMX24U-B	Heat Pump or AC	Micro Channel	C84QAMX24U-B	1041575	-
C8QAMX30U-B	Heat Pump or AC	Micro Channel	C84QAMX30U-B	1041576	-
C8QAMX36U-B	Heat Pump or AC	Micro Channel	C84QAMX36U-B	1041577	-
C8QAMX42U-B	Heat Pump or AC	Micro Channel	C84QAMX43U-B	1041579	-
C8QAMX48U-B	Heat Pump or AC	Micro Channel	C84QAMX48U-B	1041580	-
C8QAMX49U-B	Heat Pump or AC	Micro Channel	C84QAMX49U-B	1041581	-

C74BAM0 SERIES CASED INDOOR COIL (ORIFICE)

Indoor Coil Model	Outdoor Unit	Indoor Replacement Technology	Replacement Indoor Coil	Replacement Coil Part #
C74BAM018C-A	Heat Pump or AC	Micro Channel	C74BAM018U-A	1041532
C74BAM018C-B	Heat Pump or AC	Micro Channel	C74BAM018U-B	1041533
C74BAM02430C-A	Heat Pump or AC	Micro Channel	C74BAM02430U-A	1041534
C74BAM02430C-B	Heat Pump or AC	Micro Channel	C74BAM02430U-B	1041535
C74BAM02430C-C	Heat Pump or AC	Micro Channel	C74BAM02430U-C	1041536
C74BAM03642C-B	Heat Pump or AC	Micro Channel	C74BAM03642U-B	1041537
C74BAM03642C-C	Heat Pump or AC	Micro Channel	C74BAM03642U-C	1041538
C74BAM042C-D	Heat Pump or AC	Micro Channel	C74BAM042U-D	1041539
C74BAM048C-C	Heat Pump or AC	Micro Channel	C74BAM048U-C	1041540
C74BAM048C-D	Heat Pump or AC	Micro Channel	C74BAM048U-D	1041541

C74BHM0 SERIES HORIZONTAL CASED INDOOR COIL (ORIFICE)

Indoor Coil Model	Outdoor Unit	Indoor Replacement Technology	Replacement Indoor Coil	Replacement Coil Part #	Horizontal Drain Pan Kit
C74BHM018C-A	Heat Pump or AC	Micro Channel	C74BHM018C-A	1041512	-
C74BHM018C-B	Heat Pump or AC	Micro Channel	C74BHM018C-B	1041513	-
C74BHM02430C-A	Heat Pump or AC	Micro Channel	C74BHM02430C-A	1041514	-
C74BHM02430C-B	Heat Pump or AC	Micro Channel	C74BHM02430C-B	1041515	-
C74BHM02430C-C	Heat Pump or AC	Micro Channel	C74BAM02430U-C	1041536	920266
C74BHM03642C-B	Heat Pump or AC	Micro Channel	C74BAM03642U-B	1041537	920266
C74BHM03642C-C	Heat Pump or AC	Micro Channel	C74BAM03642U-C	1041538	920266
C74BHM042C-D	Heat Pump or AC	Micro Channel	C74BAM042U-D	1041539	920267
C74BHM048C-C	Heat Pump or AC	Micro Channel	C74BAM048U-C	1041540	920267
C74BHM048C-D	Heat Pump or AC	Micro Channel	C74BAM048U-D	1041541	920267

C74BAM0 SERIES UNCASD INDOOR COIL (ORIFICE)

Indoor Coil Model	Outdoor Unit	Indoor Replacement Technology	Replacement Indoor Coil	Replacement Coil Part #
C74BAM018U-A	Heat Pump or AC	Micro Channel	C74BAM018U-A	1041532
C74BAM018U-B	Heat Pump or AC	Micro Channel	C74BAM018U-B	1041533
C74BAM02430U-A	Heat Pump or AC	Micro Channel	C74BAM02430U-A	1041534
C74BAM02430U-B	Heat Pump or AC	Micro Channel	C74BAM02430U-B	1041535
C74BAM02430U-C	Heat Pump or AC	Micro Channel	C74BAM02430U-C	1041536
C74BAM03642U-B	Heat Pump or AC	Micro Channel	C74BAM03642U-B	1041537
C74BAM03642U-C	Heat Pump or AC	Micro Channel	C74BAM03642U-C	1041538
C74BAM042U-D	Heat Pump or AC	Micro Channel	C74BAM042U-D	1041539
C74BAM048U-C	Heat Pump or AC	Micro Channel	C74BAM048U-C	1041540
C74BAM048U-D	Heat Pump or AC	Micro Channel	C74BAM048U-D	1041541

C74BAMX SERIES CASED INDOOR COIL (TXV)

Indoor Coil Model	Outdoor Unit	Indoor Replacement Technology	Replacement Indoor Coil	Replacement Coil Part #	TXV (Required)	Tube Kit (Required)
C74BAMX24C-A	Heat Pump or AC	Micro Channel	C74BAM018U-A	1041532	920668A	921824
C74BAMX24C-B	Heat Pump or AC	Micro Channel	C74BAM018U-B	1041533	920668A	921825
C74BAMX30C-A	Heat Pump or AC	Micro Channel	C74BAM02430U-A	1041534	920669A	921824
C74BAMX30C-B	Heat Pump or AC	Micro Channel	C74BAM02430U-B	1041535	920669A	921825
C74BAMX30C-C	Heat Pump or AC	Micro Channel	C74BAM02430U-C	1041536	920669A	921827
C74BAMX36C-B	Heat Pump or AC	Micro Channel	C74BAM03642U-B	1041537	920670A	921826
C74BAMX36C-C	Heat Pump or AC	Micro Channel	C74BAM03642U-C	1041538	920670A	921828
C74BAMX42C-C	Heat Pump or AC	Micro Channel	C74BAM03642U-C	1041538	920671A	921828
C74BAMX42C-D	Heat Pump or AC	Micro Channel	C74BAM042U-D	1041539	920671A	921830
C74BAMX48C-C	Heat Pump or AC	Micro Channel	C74BAM048U-C	1041540	920672A	921829
C74BAMX48C-D	Heat Pump or AC	Micro Channel	C74BAM048U-D	1041541	920672A	921831
C74BAMX60C-C	Heat Pump or AC	Micro Channel	C74BAM048U-C	1041540	920673A	921829
C74BAMX60C-D	Heat Pump or AC	Micro Channel	C74BAM048U-D	1041541	920673A	921831

C74BHMx SERIES HORIZONTAL CASED INDOOR COIL (TXV)

Indoor Coil Model	Outdoor Unit	Indoor Replacement Technology	Replacement Indoor Coil	Replacement Coil Part #	TXV (Required)	Tube Kit (Required)	Horizontal Drain Pan Kit
C74BHMx24C-A	Heat Pump or AC	Micro Channel	C74BHMx24C-A	1041542	-	-	-
C74BHMx24C-B	Heat Pump or AC	Micro Channel	C74BHMx24C-B	1041543	-	-	-
C74BHMx30C-A	Heat Pump or AC	Micro Channel	C74BHMx30C-A	1041544	-	-	-
C74BHMx30C-B	Heat Pump or AC	Micro Channel	C74BHMx30C-B	1041545	-	-	-
C74BHMx30C-C	Heat Pump or AC	Micro Channel	C74BAM02430U-C	1041536	920669A	921827	920266
C74BHMx36C-B	Heat Pump or AC	Micro Channel	C74BAM03642U-B	1041537	920670A	921826	920266
C74BHMx36C-C	Heat Pump or AC	Micro Channel	C74BAM03642U-C	1041538	920670A	921828	920266
C74BHMx42C-C	Heat Pump or AC	Micro Channel	C74BAM03642U-C	1041538	920671A	921828	920266
C74BHMx42C-D	Heat Pump or AC	Micro Channel	C74BAM042U-D	1041539	920671A	921830	920267
C74BHMx48C-C	Heat Pump or AC	Micro Channel	C74BAM048U-C	1041540	920672A	921829	920267
C74BHMx48C-D	Heat Pump or AC	Micro Channel	C74BAM048U-D	1041541	920672A	921831	920267
C74BHMx60C-C	Heat Pump or AC	Micro Channel	C74BAM048U-C	1041540	920673A	921829	920267
C74BHMx60C-D	Heat Pump or AC	Micro Channel	C74BAM048U-D	1041541	920673A	921831	920267

C84DAMX 410A DOWNTURN BRAZED CONNECTION

Indoor Coil Model	Outdoor Unit	Indoor Replacement Technology	Replacement Indoor Coil	Replacement Coil Part #
C84DAMX24U-B	Heat Pump or AC	Micro Channel	C84DAMX24U-B	1041568
C84DAMX30U-B	Heat Pump or AC	Micro Channel	C84DAMX30U-B	1041569
C84DAMX36U-B	Heat Pump or AC	Micro Channel	C84DAMX36U-B	1041570
C84DAMX42U-B	Heat Pump or AC	Micro Channel	C84DAMX42U-B	1041571
C84DAMX36U-B	Heat Pump or AC	Micro Channel	C84DAMX36U-B	1041572
C84DAMX48U-B	Heat Pump or AC	Micro Channel	C84DAMX48U-B	1041573
C84DAMX49U-B	Heat Pump or AC	Micro Channel	C84DAMX49U-B	1041574
C84DAMX60U-B	Heat Pump or AC	Micro Channel	C84DAMX60U-B	1044078

C84QAMX 410A DOWNTURN QUICK CONNECT

Indoor Coil Model	Outdoor Unit	Indoor Replacement Technology	Replacement Indoor Coil	Replacement Coil Part #
C84QAMX24U-B	Heat Pump or AC	Micro Channel	C84QAMX24U-B	1041575
C84QAMX30U-B	Heat Pump or AC	Micro Channel	C84QAMX30U-B	1041576
C84QAMX36U-B	Heat Pump or AC	Micro Channel	C84QAMX36U-B	1041577
C84QAMX42U-B	Heat Pump or AC	Micro Channel	C84QAMX42U-B	1041578
C84QAMX43U-B	Heat Pump or AC	Micro Channel	C84QAMX43U-B	1041579
C84QAMX48U-B	Heat Pump or AC	Micro Channel	C84QAMX48U-B	1041580
C84QAMX49U-B	Heat Pump or AC	Micro Channel	C84QAMX49U-B	1041581

B3 AIR HANDLERS WITH BRAZED CONNECTIONS

Indoor Coil Model	Outdoor Unit	Indoor Replacement Technology	Replacement Indoor Coil	Replacement Coil Part #
(G)B3(B,V)(M,V)-024K-A	Heat Pump or AC	Tube and Fin	REPLCOIL06	921324
(G)B3(B,V)(M,V)-030K-A	Heat Pump or AC	Tube and Fin	REPLCOIL01HS	921951
(G)B3(B,V)M-036K-A	Heat Pump or AC	Tube and Fin	REPLCOIL01HS	921951
(G)B3(B,V)M-030K-B	Heat Pump or AC	Tube and Fin	REPLCOIL02HS	921952
(G)B3(B,V)(M,V)-036K-B	Heat Pump or AC	Tube and Fin	REPLCOIL02HS	921952
(G)B3(B,V)(M,V)-042K-B	Heat Pump or AC	Tube and Fin	REPLCOIL02HS	921952
(G)B3(B,V)(M,V)-048K-B	Heat Pump or AC	Tube and Fin	REPLCOIL02HS	921952
(G)B3(B,V)(M,V)-060K-C	Heat Pump or AC	Tube and Fin	REPLCOIL07HS	922503
B3(B,V)M-062K-C	Heat Pump or AC	Tube and Fin	REPLCOIL04HS	921954
(G)B3(B,V)M-066K-C	Heat Pump or AC	Tube and Fin	REPLCOIL05HS	921954
B3BM-036A-A (115V)	Heat Pump or AC	Tube and Fin	REPLCOIL01HS	921951
B3BM-048A-B (115V)	Heat Pump or AC	Tube and Fin	REPLCOIL02HS	921952

B3BM WALL MOUNT AIR HANDLER COILS

Indoor Coil Model	Outdoor Unit	Indoor Replacement Technology	Replacement Indoor Coil	Replacement Coil Part #
(G)B3BW-018K-A	Heat Pump and AC	Tube and Fin	Coil Assy 024/018	903950D
(G)B3BW-024K-A	Heat Pump and AC	Tube and Fin	Coil Assy 024/018	903950D
(G)B3BW-030K-A	Heat Pump and AC	Tube and Fin	Coil Assy 030/036	903951D
(G)B3BW-036K-A	Heat Pump and AC	Tube and Fin	Coil Assy 030/036	903951D

B4 VSHE AND TXV R410A AIR HANDLER WITH BRAZED CONNECTIONS

Air Handler Model	Outdoor Unit	Indoor Replacement Technology	Replacement Indoor Coil	Replacement Coil Part #	TXV (Required)	Tube Kit (Required)
B4VM-X24K-A	Heat Pump	Tube and Fin	REPLCOIL01HS	921951	920668A	921287
	Air Conditioner	Tube and Fin	REPLCOIL01HS	921951	920668A	921287
		Micro Channel	REPLCOIL01M	921482	920668A	921732
B4VM-X24K-B*	Heat Pump	Tube and Fin	REPLCOIL02HS	921952	920668A	921288
	Air Conditioner	Tube and Fin	REPLCOIL02HS	921952	920668A	921288
		Micro Channel	REPLCOIL02M	921483	920668A	921733
B4VM-X24K-B**	Heat Pump	Tube and Fin	REPLCOIL03HS	921953	920668A	921289
	Air Conditioner	Tube and Fin	REPLCOIL03HS	921953	920668A	921289
		Micro Channel	REPLCOIL03M	921484	920668A	921734
B4VM-X30K-A	Heat Pump	Tube and Fin	REPLCOIL01HS	921951	920669A	921287
	Air Conditioner	Tube and Fin	REPLCOIL01HS	921951	920669A	921287
		Micro Channel	REPLCOIL01M	921482	920669A	921732
B4VM-X30K-B	Heat Pump	Tube and Fin	REPLCOIL02HS	921952	920669A	921288
	Air Conditioner	Tube and Fin	REPLCOIL02HS	921952	920669A	921288
		Micro Channel	REPLCOIL02M	921483	920669A	921733
B4VM-X36K-B	Heat Pump	Tube and Fin	REPLCOIL03HS	921953	920670A	921289
	Air Conditioner	Tube and Fin	REPLCOIL03HS	921953	920670A	921289
		Micro Channel	REPLCOIL03M	921484	920670A	921734
B4VM-X36K-CB	Heat Pump	Tube and Fin	REPLCOI04HS	921954	920670A	921290
	Air Conditioner	Tube and Fin	REPLCOI04HS	921954	920670A	921290
		Micro Channel	REPLCOI04M	921485	920670A	921735
B4VM-X37K-B	Heat Pump	Tube and Fin	REPLCOIL03HS	921953	920670A	921289
	Air Conditioner	Tube and Fin	REPLCOIL03HS	921953	920670A	921289
		Micro Channel	REPLCOIL03M	921484	920670A	921734
B4VM-X48K-B	Heat Pump	Tube and Fin	REPLCOIL03HS	921953	920672A	921289
	Air Conditioner	Tube and Fin	REPLCOIL03HS	921953	920672A	921289
		Micro Channel	REPLCOIL03M	921484	920672A	921734
B4VM-X48K-C	Heat Pump	Tube and Fin	REPLCOIL05HS	921955	920672A	921291
	Air Conditioner	Tube and Fin	REPLCOIL05HS	921955	920672A	921291
		Micro Channel	REPLCOIL05M	921486	920672A	921735
B4VM-X49K-C	Heat Pump	Tube and Fin	REPLCOIL05HS	921955	920672A	921291
	Air Conditioner	Tube and Fin	REPLCOIL05HS	921955	920672A	921291
		Micro Channel	REPLCOIL05M	921486	920672A	921735
B4VM-X60K-C	Heat Pump	Tube and Fin	REPLCOIL05HS	921955	920673A	921291
	Air Conditioner	Tube and Fin	REPLCOIL05HS	921955	920673A	921291
		Micro Channel	REPLCOIL05M	921486	920673A	921735

*Built prior to July 2008

**Built after July 2008

B5 AIR HANDLER WITH ORIFICE AND BRAZED CONNECTIONS

Air Handler Model	Outdoor Unit	Indoor Replacement Technology	Replacement Indoor Coil	Replacement Coil Part #
B5(B,V)M-024K-A	Heat Pump	Tube and Fin	REPLCOIL01HS	921951
	Air Conditioner	Tube and Fin	REPLCOIL01HS	921951
		Micro Channel	REPLCOIL01M	921482
B5(B,V)M-025K-A	Heat Pump	Tube and Fin	REPLCOIL01HS	921951
	Air Conditioner	Tube and Fin	REPLCOIL01HS	921951
		Micro Channel	REPLCOIL01M	921482
B5(B,V)M-030K-A	Heat Pump	Tube and Fin	REPLCOIL01HS	921951
	Air Conditioner	Tube and Fin	REPLCOIL01HS	921951
		Micro Channel	REPLCOIL01M	921482
B5(B,V)M-036K-A	Heat Pump	Tube and Fin	REPLCOIL01HS	921951
	Air Conditioner	Tube and Fin	REPLCOIL01HS	921951
		Micro Channel	REPLCOIL01M	921482
B5(B,V)M-024K-B	Heat Pump	Tube and Fin	REPLCOIL02HS	921952
	Air Conditioner	Tube and Fin	REPLCOIL02HS	921952
		Micro Channel	REPLCOIL02M	921483
B5(B,V)M-030K-B	Heat Pump	Tube and Fin	REPLCOIL02HS	921952
	Air Conditioner	Tube and Fin	REPLCOIL02HS	921952
		Micro Channel	REPLCOIL02M	921483
B5(B,V)M-036K-B	Heat Pump	Tube and Fin	REPLCOIL02HS	921952
	Air Conditioner	Tube and Fin	REPLCOIL02HS	921952
		Micro Channel	REPLCOIL02M	921483
B5(B,V)M-037K-B	Heat Pump	Tube and Fin	REPLCOIL03HS	921953
	Air Conditioner	Tube and Fin	REPLCOIL03HS	921953
		Micro Channel	REPLCOIL03M	921484
B5(B,V)M-042K-B	Heat Pump	Tube and Fin	REPLCOIL03HS	921953
	Air Conditioner	Tube and Fin	REPLCOIL03HS	921953
		Micro Channel	REPLCOIL03M	921484
B5(B,V)M-048K-B	Heat Pump	Tube and Fin	REPLCOIL03HS	921953
	Air Conditioner	Tube and Fin	REPLCOIL03HS	921953
		Micro Channel	REPLCOIL03M	921484
B5(B,V)M-048K-C	Heat Pump	Tube and Fin	REPLCOIL04HS	921954
	Air Conditioner	Tube and Fin	REPLCOIL04HS	921954
		Micro Channel	REPLCOIL04M	921485
B5(B,V)M-049K-C	Heat Pump	Tube and Fin	REPLCOIL05HS	921955
	Air Conditioner	Tube and Fin	REPLCOIL05HS	921955
		Micro Channel	REPLCOIL05M	921486
B5(B,V)M-060K-C	Heat Pump	Tube and Fin	REPLCOIL05HS	921955
	Air Conditioner	Tube and Fin	REPLCOIL05HS	921955
		Micro Channel	REPLCOIL05M	921486

B5 AIR HANDLER WITH R22 TXV AND BRAZED CONNECTIONS

Air Handler Model	Outdoor Unit	Indoor Replacement Technology	Replacement Indoor Coil	Replacement Coil Part #	TXV (Required)	Tube Kit (Required)
B5(B,V)M-T24K-A	Heat Pump or AC	Tube and Fin	REPLCOIL01HS	921951	920662A	921287
B5(B,V)M-T25K-A	Heat Pump or AC	Tube and Fin	REPLCOIL01HS	921951	920662A	921287
B5(B,V)M-T30K-A	Heat Pump or AC	Tube and Fin	REPLCOIL01HS	921951	920663A	921287
B5(B,V)M-T36K-A	Heat Pump or AC	Tube and Fin	REPLCOIL01HS	921951	920664A	921287
B5(B,V)M-T24K-B	Heat Pump or AC	Tube and Fin	REPLCOIL02HS	921952	920662A	921288
B5(B,V)M-T30K-B	Heat Pump or AC	Tube and Fin	REPLCOIL02HS	921952	920663A	921288
B5(B,V)M-T36K-B	Heat Pump or AC	Tube and Fin	REPLCOIL02HS	921952	920664A	921288
B5(B,V)M-T37K-B	Heat Pump or AC	Tube and Fin	REPLCOIL03HS	921953	920664A	921289
B5(B,V)M-T42K-B	Heat Pump or AC	Tube and Fin	REPLCOIL03HS	921953	920665A	921289
B5(B,V)M-T48K-B	Heat Pump or AC	Tube and Fin	REPLCOIL03HS	921953	920666A	921289
B5(B,V)M-T48K-C	Heat Pump or AC	Tube and Fin	REPLCOIL04HS	921954	920666A	921290
B5(B,V)M-T49K-C	Heat Pump or AC	Tube and Fin	REPLCOIL05HS	921955	920666A	921291
B5(B,V)M-T60K-C	Heat Pump or AC	Tube and Fin	REPLCOIL05HS	921955	920667A	921291

B5 PSC AND ORIFICE, 115V AIR HANDLERS

Air Handler Model	Outdoor Unit	Indoor Replacement Technology	Replacement Indoor Coil	Replacement Coil Part #
B5BM-025A-A (115V)	Heat Pump	Tube and Fin	REPLCOIL01HS	921951
	Air Conditioner	Tube and Fin	REPLCOIL01HS	921951
		Micro Channel	REPLCOIL01M	921482
B5BM-036A-B (115V)	Heat Pump	Tube and Fin	REPLCOIL02HS	921952
	Air Conditioner	Tube and Fin	REPLCOIL02HS	921952
		Micro Channel	REPLCOIL02M	921483
B5BM-0349A-C (115V)	Heat Pump	Tube and Fin	REPLCOIL05HS	921955
	Air Conditioner	Tube and Fin	REPLCOIL05HS	921955
		Micro Channel	REPLCOIL05M	921486

B5BW WALL MOUNT AIR HANDLER COILS

Air Handler Model	Outdoor Unit	Indoor Replacement Technology	Replacement Indoor Coil	Replacement Coil Part #
(G)B5BW-018K-A	Heat Pump and AC	Tube and Fin	Coil Assy	919493D
(G)B5BW-024K-A	Heat Pump and AC	Tube and Fin	Coil Assy	919493D
(G)B5BW-030K-A	Heat Pump and AC	Tube and Fin	Coil Assy	919707D

B5 AIR HANDLER WITH R410A TXV AND BRAZED CONNECTIONS

Air Handler Model	Outdoor Unit	Indoor Replacement Technology	Replacement Indoor Coil	Replacement Coil Part #	TXV (Required)	Tube Kit (Required)
B5(B,V)M-X24K-A	Heat Pump	Tube and Fin	REPLCOIL01HS	921951	920668A	921287
	Air Conditioner	Tube and Fin	REPLCOIL01HS	921951	920668A	921287
		Micro Channel	REPLCOIL01M	921482	920668A	921732
B5(B,V)M-X25K-A	Heat Pump	Tube and Fin	REPLCOIL01HS	921951	920668A	921287
	Air Conditioner	Tube and Fin	REPLCOIL01HS	921951	920668A	921287
		Micro Channel	REPLCOIL01M	921482	920668A	921732
B5(B,V)M-X30K-A	Heat Pump	Tube and Fin	REPLCOIL01HS	921951	920669A	921287
	Air Conditioner	Tube and Fin	REPLCOIL01HS	921951	920669A	921287
		Micro Channel	REPLCOIL01M	921482	920669A	921732
B5(B,V)M-X36K-A	Heat Pump	Tube and Fin	REPLCOIL01HS	921951	920670A	921287
	Air Conditioner	Tube and Fin	REPLCOIL01HS	921951	920670A	921287
		Micro Channel	REPLCOIL01M	921482	920670A	921732
B5(B,V)M-X24K-B	Heat Pump	Tube and Fin	REPLCOIL02HS	921952	920668A	921288
	Air Conditioner	Tube and Fin	REPLCOIL02HS	921952	920668A	921288
		Micro Channel	REPLCOIL02M	921483	920668A	921733
B5(B,V)M-X30K-B	Heat Pump	Tube and Fin	REPLCOIL02HS	921952	920669A	921288
	Air Conditioner	Tube and Fin	REPLCOIL02HS	921952	920669A	921288
		Micro Channel	REPLCOIL02M	921483	920669A	921733
B5(B,V)M-X36K-B	Heat Pump	Tube and Fin	REPLCOIL02HS	921952	920670A	921288
	Air Conditioner	Tube and Fin	REPLCOIL02HS	921952	920670A	921288
		Micro Channel	REPLCOIL02M	921483	920670A	921733
B5(B,V)M-X37K-B	Heat Pump	Tube and Fin	REPLCOIL03HS	921953	920670A	921289
	Air Conditioner	Tube and Fin	REPLCOIL03HS	921953	920670A	921289
		Micro Channel	REPLCOIL03M	921484	920670A	921734
B5(B,V)M-X42K-B	Heat Pump	Tube and Fin	REPLCOIL03HS	921953	920671A	921289
	Air Conditioner	Tube and Fin	REPLCOIL03HS	921953	920671A	921289
		Micro Channel	REPLCOIL03M	921484	920671A	921734
B5(B,V)M-X48K-B	Heat Pump	Tube and Fin	REPLCOIL03HS	921953	920672A	921289
	Air Conditioner	Tube and Fin	REPLCOIL03HS	921953	920672A	921289
		Micro Channel	REPLCOIL03M	921484	920672A	921734
B5(B,V)M-X48K-C	Heat Pump	Tube and Fin	REPLCOIL04HS	921954	920672A	921290
	Air Conditioner	Tube and Fin	REPLCOIL04HS	921954	920672A	921290
		Micro Channel	REPLCOIL04M	921485	920672A	921735
B5(B,V)M-X49K-C	Heat Pump	Tube and Fin	REPLCOIL05HS	921955	920672A	921291
	Air Conditioner	Tube and Fin	REPLCOIL05HS	921955	920672A	921291
		Micro Channel	REPLCOIL05M	921486	920672A	921736
B5(B,V)M-X60K-C	Heat Pump	Tube and Fin	REPLCOIL05HS	921955	920673A	921291
	Air Conditioner	Tube and Fin	REPLCOIL05HS	921955	920673A	921291
		Micro Channel	REPLCOIL05M	921486	920673A	921736

B6BMMO PSC AND ORIFICE AIR HANDLER WITH BRAZED CONNECTIONS

Air Handler Model	Outdoor Unit	Indoor Replacement Technology	Replacement Indoor Coil	Replacement Coil Part #
B6BMMO24K-A	Heat Pump or AC	Micro Channel	REPLCOIL01M	921482
B6BMMO30K-A	Heat Pump or AC	Micro Channel	REPLCOIL01M	921482
B6BMMO24K-B	Heat Pump or AC	Micro Channel	REPLCOIL02M	921483
B6BMMO30K-B	Heat Pump or AC	Micro Channel	REPLCOIL02M	921483
B6BMMO36K-B	Heat Pump or AC	Micro Channel	REPLCOIL02M	921483
B6BMMO42K-B	Heat Pump or AC	Micro Channel	REPLCOIL03M	921484
B6BMMO48K-B	Heat Pump or AC	Micro Channel	REPLCOIL03M	921484
B6BMMO48K-C	Heat Pump or AC	Micro Channel	REPLCOIL04M	921485
B6BMMO60K-C	Heat Pump or AC	Micro Channel	REPLCOIL05M	921486

B6BM PSC AND TXV AIR HANDLER WITH TUBE AND FIN AND BRAZED CONNECTIONS

Air Handler Model	Outdoor Unit	Indoor Replacement Technology	Replacement Indoor Coil	Replacement Coil Part #	TXV (Required)
B6BM-X24K-A	Heat Pump or AC	Tube and Fin	REPLCOIL01HS	921951	920668A
B6BM-X30K-A	Heat Pump or AC	Tube and Fin	REPLCOIL01HS	921951	920669A
B6BM-X24K-B	Heat Pump or AC	Tube and Fin	REPLCOIL02HS	921952	920668A
B6BM-X30K-B	Heat Pump or AC	Tube and Fin	REPLCOIL02HS	921952	920669A
B6BM-X36K-B	Heat Pump or AC	Tube and Fin	REPLCOIL03HS	921953	920670A
B6BM-X42K-B	Heat Pump or AC	Tube and Fin	REPLCOIL03HS	921953	920671A
B6BM-X48K-C	Heat Pump or AC	Tube and Fin	REPLCOIL05HS	921955	920672A
B6BM-X60K-C	Heat Pump or AC	Tube and Fin	REPLCOIL05HS	921955	920673A

B6BMMX PSC AND TXV AIR HANDLER WITH BRAZED CONNECTIONS

Air Handler Model	Outdoor Unit	Indoor Replacement Technology	Replacement Indoor Coil	Replacement Coil Part #	TXV (Required)	Tube Kit (Required)
B6BMMX24K-A	Heat Pump or AC	Micro Channel	REPLCOIL01M	921482	920668A	921732
B6BMMX30K-A	Heat Pump or AC	Micro Channel	REPLCOIL01M	921482	920669A	921732
B6BMMX24K-B	Heat Pump or AC	Micro Channel	REPLCOIL02M	921483	920668A	921733
B6BMMX30K-B	Heat Pump or AC	Micro Channel	REPLCOIL02M	921483	920669A	921733
B6BMMX36K-B	Heat Pump or AC	Micro Channel	REPLCOIL02M	921483	920670A	921733
B6BMMX42K-B	Heat Pump or AC	Micro Channel	REPLCOIL03M	921484	920671A	921734
B6BMMX48K-C	Heat Pump or AC	Micro Channel	REPLCOIL05M	921486	920672A	921736
B6BMMX60K-C	Heat Pump or AC	Micro Channel	REPLCOIL05M	921486	920673A	921736

B6EMMX FSHE AND TXV AIR HANDLER WITH BRAZED CONNECTIONS

Air Handler Model	Outdoor Unit	Indoor Replacement Technology	Replacement Indoor Coil	Replacement Coil Part #	TXV (Required)	Tube Kit (Required)
B6EMMX24K-A	Heat Pump or AC	Micro Channel	REPLCOIL01M	921482	920668A	921732
B6EMMX30K-A	Heat Pump or AC	Micro Channel	REPLCOIL01M	921482	920669A	921732
B6EMMX24K-B	Heat Pump or AC	Micro Channel	REPLCOIL02M	921483	920668A	921733
B6EMMX30K-B	Heat Pump or AC	Micro Channel	REPLCOIL02M	921483	920669A	921733
B6EMMX36K-B	Heat Pump or AC	Micro Channel	REPLCOIL03M	921484	920670A	921734
B6EMMX42K-B	Heat Pump or AC	Micro Channel	REPLCOIL03M	921484	920671A	921734
B6EMMX48K-C	Heat Pump or AC	Micro Channel	REPLCOIL05M	921486	920672A	921736
B6EMMX60K-C	Heat Pump or AC	Micro Channel	REPLCOIL05M	921486	920673A	921736

B6VMMX AIR HANDLER

Air Handler Model	Outdoor Unit	Indoor Replacement Technology	Replacement Indoor Coil	Replacement Coil Part #	TXV (Required)	Tube Kit (Required)
B6VMMX24K-A	Heat Pump or AC	Micro Channel	REPLCOIL01M	921482	920668A	921732
B6VMMX30K-A	Heat Pump or AC	Micro Channel	REPLCOIL01M	921482	920669A	921732
B6VMMX24K-B	Heat Pump or AC	Micro Channel	REPLCOIL02M	921483	920668A	921733
B6VMMX30K-B	Heat Pump or AC	Micro Channel	REPLCOIL02M	921483	920669A	921733
B6VMMX36K-B	Heat Pump or AC	Micro Channel	REPLCOIL03M	921484	920670A	921734
B6VMMX42K-B	Heat Pump or AC	Micro Channel	REPLCOIL03M	921484	920671A	921734
B6VMMX48K-C	Heat Pump or AC	Micro Channel	REPLCOIL05M	921486	920672A	921736
B6VMMX60K-C	Heat Pump or AC	Micro Channel	REPLCOIL05M	921486	920673A	921736

B6VMAX AIR HANDLER

Air Handler Model	Outdoor Unit	Indoor Replacement Technology	Replacement Indoor Coil	Replacement Coil Part #	TXV (Required)	Tube Kit (Required)
B6VMAX24K-A	Heat Pump or AC	Tube and Fin	REPLCOIL01HS	921951	920668A	921287
B6VMAX30K-A	Heat Pump or AC	Tube and Fin	REPLCOIL01HS	921951	920669A	921287
B6VMAX24K-B	Heat Pump or AC	Tube and Fin	REPLCOIL03HS	921953	920668A	921288
B6VMAX30K-B	Heat Pump or AC	Tube and Fin	REPLCOIL02HS	921952	920669A	921288
B6VMAX36K-B	Heat Pump or AC	Tube and Fin	REPLCOIL03HS	921953	920670A	921289
B6VMAX42K-B	Heat Pump or AC	Tube and Fin	REPLCOIL03HS	921953	920671A	921289
B6VMAX48K-C	Heat Pump or AC	Tube and Fin	REPLCOIL05HS	921955	920672A	921291
B6VMAX60K-C	Heat Pump or AC	Tube and Fin	REPLCOIL05HS	921955	920673A	921291

B6BW WALL MOUNT AIR HANDLER COILS

Air Handler Model	Outdoor Unit	Indoor Replacement Technology	Replacement Indoor Coil	Replacement Coil Part #
B6BW-018K	Heat Pump and AC	Micro Channel	Coil Assy	921102
B6BW-019K	Heat Pump and AC	Micro Channel	Coil Assy	921104
B6BW-024K	Heat Pump and AC	Micro Channel	Coil Assy	921103
B6BW-030K	Heat Pump and AC	Micro Channel	Coil Assy	921104
B6BW-036K	Heat Pump and AC	Micro Channel	Coil Assy	921105

B6EW WALL MOUNT AIR HANDLER COILS

Air Handler Model	Outdoor Unit	Indoor Replacement Technology	Replacement Indoor Coil	Replacement Coil Part #	TXV (Required)
B6EW-X18K	Heat Pump and AC	Micro Channel	Coil Assy,X18/X24	921457	920668A
B6EW-X24K	Heat Pump and AC	Micro Channel	Coil Assy,X18/X24	921457	920669A
B6EW-X25K	Heat Pump and AC	Micro Channel	Coil Assy,X25	921648	920668A
B6EW-X30K	Heat Pump and AC	Micro Channel	Coil Assy,X30	921458	920669A
B6EW-X36K	Heat Pump and AC	Micro Channel	Coil Assy,X36	921459	920673A

B64BMMO PSC AND ORIFICE AIR HANDLER WITH BRAZED CONNECTIONS

Air Handler Model	Outdoor Unit	Indoor Replacement Technology	Replacement Indoor Coil	Replacement Coil Part #
B64BMM018K-A	Heat Pump or AC	Micro Channel	REPLCOIL01M	921482
B64BMM024K-A	Heat Pump or AC	Micro Channel	REPLCOIL01M	921482
B64BMM024K-B	Heat Pump or AC	Micro Channel	REPLCOIL02M	921483
B64BMM030K-B	Heat Pump or AC	Micro Channel	REPLCOIL02M	921483
B64BMM036K-B	Heat Pump or AC	Micro Channel	REPLCOIL03M	921484
B64BMM042K-C	Heat Pump or AC	Micro Channel	REPLCOIL04M	921485
B64BMM048K-C	Heat Pump or AC	Micro Channel	REPLCOIL05M	921486

B64BMMX PSC AND TXV AIR HANDLER WITH BRAZED CONNECTIONS

Air Handler Model	Outdoor Unit	Indoor Replacement Technology	Replacement Indoor Coil	Replacement Coil Part #	TXV (Required)	Tube Kit (Required)
B64BMMX18K-A	Heat Pump or AC	Micro Channel	REPLCOIL01M	921482	920668A	921732
B64BMMX24K-A	Heat Pump or AC	Micro Channel	REPLCOIL01M	921482	920668A	921732
B64BMMX24K-B	Heat Pump or AC	Micro Channel	REPLCOIL02M	921483	920668A	921733
B64BMMX30K-B	Heat Pump or AC	Micro Channel	REPLCOIL02M	921483	920669A	921733
B64BMMX36K-B	Heat Pump or AC	Micro Channel	REPLCOIL03M	921484	920670A	921734
B64BMMX42K-C	Heat Pump or AC	Micro Channel	REPLCOIL04M	921485	920671A	921735
B64BMMX48K-C	Heat Pump or AC	Micro Channel	REPLCOIL05M	921486	920672A	921736

B64EMMX FSHE AND TXV AIR HANDLER WITH BRAZED CONNECTIONS

Air Handler Model	Outdoor Unit	Indoor Replacement Technology	Replacement Indoor Coil	Replacement Coil Part #	TXV (Required)	Tube Kit (Required)
B64EMMX24K-A	Heat Pump or AC	Micro Channel	REPLCOIL01M	921482	920668A	921732
B64EMMX30K-A	Heat Pump or AC	Micro Channel	REPLCOIL01M	921482	920669A	921732
B64EMMX24K-B	Heat Pump or AC	Micro Channel	REPLCOIL02M	921483	920668A	921733
B64EMMX30K-B	Heat Pump or AC	Micro Channel	REPLCOIL02M	921483	920669A	921733
B64EMMX36K-B	Heat Pump or AC	Micro Channel	REPLCOIL03M	921484	920670A	921734
B64EMMX42K-B	Heat Pump or AC	Micro Channel	REPLCOIL03M	921484	920671A	921734
B64EMMX48K-C	Heat Pump or AC	Micro Channel	REPLCOIL05M	921486	920672A	921736

B64VMMX AIR HANDLER

Air Handler Model	Outdoor Unit	Indoor Replacement Technology	Replacement Indoor Coil	Replacement Coil Part #	TXV (Required)	Tube Kit (Required)
B64VMMX24K-A	Heat Pump or AC	Micro Channel	REPLCOIL01M	921482	920668A	921732
B64VMMX24K-B	Heat Pump or AC	Micro Channel	REPLCOIL02M	921483	920668A	921733
B64VMMX36K-B	Heat Pump or AC	Micro Channel	REPLCOIL03M	921484	920670A	921734
B64VMMX48K-C	Heat Pump or AC	Micro Channel	REPLCOIL05M	921486	920672A	921736
B64VMMX60K-C	Heat Pump or AC	Micro Channel	REPLCOIL05M	921486	920673A	921736

B64EW WALL MOUNT AIR HANDLER COILS

Air Handler Model	Outdoor Unit	Indoor Replacement Technology	Replacement Indoor Coil	Replacement Coil Part #
B64EW-X18K	Heat Pump or AC	Micro Channel	COIL ASSY,X18/X24	921457
B64EW-X24K	Heat Pump or AC	Micro Channel	COIL ASSY,X18/X24	921457
B64EW-X30K	Heat Pump or AC	Micro Channel	COIL ASSY,X30	921458
B64EW-X36K	Heat Pump or AC	Micro Channel	COIL ASSY,X36	921459



GENERAL TERMS OF LIMITED WARRANTY

Nortek Global HVAC, LLC will furnish a replacement for any part of this product which fails in normal use and service within the terms and conditions of the warranty.

For complete details of the Limited Warranty, including applicable terms and conditions, see your local installer or contact the Nortek Global HVAC, LLC warranty department for a copy.

Before purchasing this appliance, read important energy cost and efficiency information available from your retailer. Specifications and illustrations subject to change without notice and without incurring obligations. Printed in U.S.A (10/23)

