

REPLACEMENT PARTS LIST

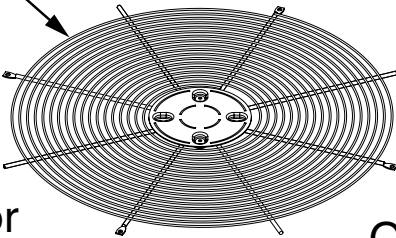
COMMERCIAL SPLIT SYSTEM AIR CONDITIONER

WSA2BD4M1SN SERIES

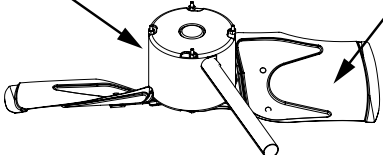
3-PHASE, 460V, 13 SEER MODELS



Outdoor
Fan Grille

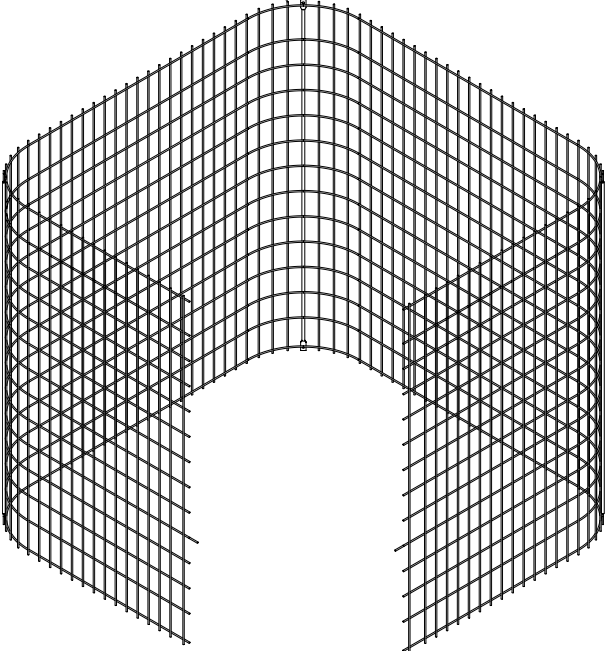


Outdoor
Fan Motor

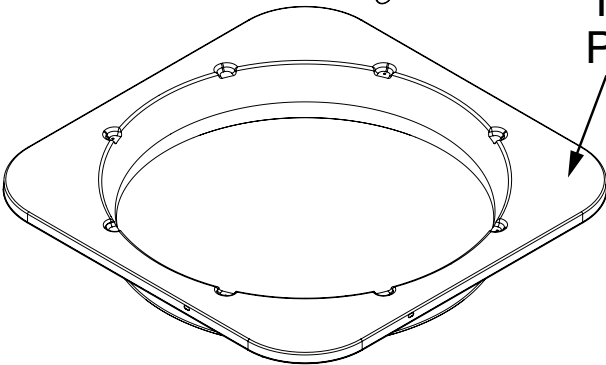


Outdoor
Fan Blade

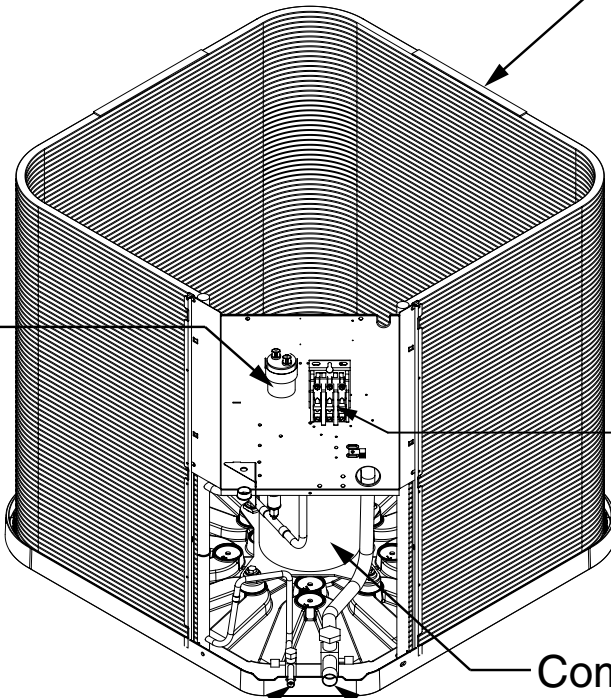
Wire
Guard



Top
Pan



Outdoor
Coil



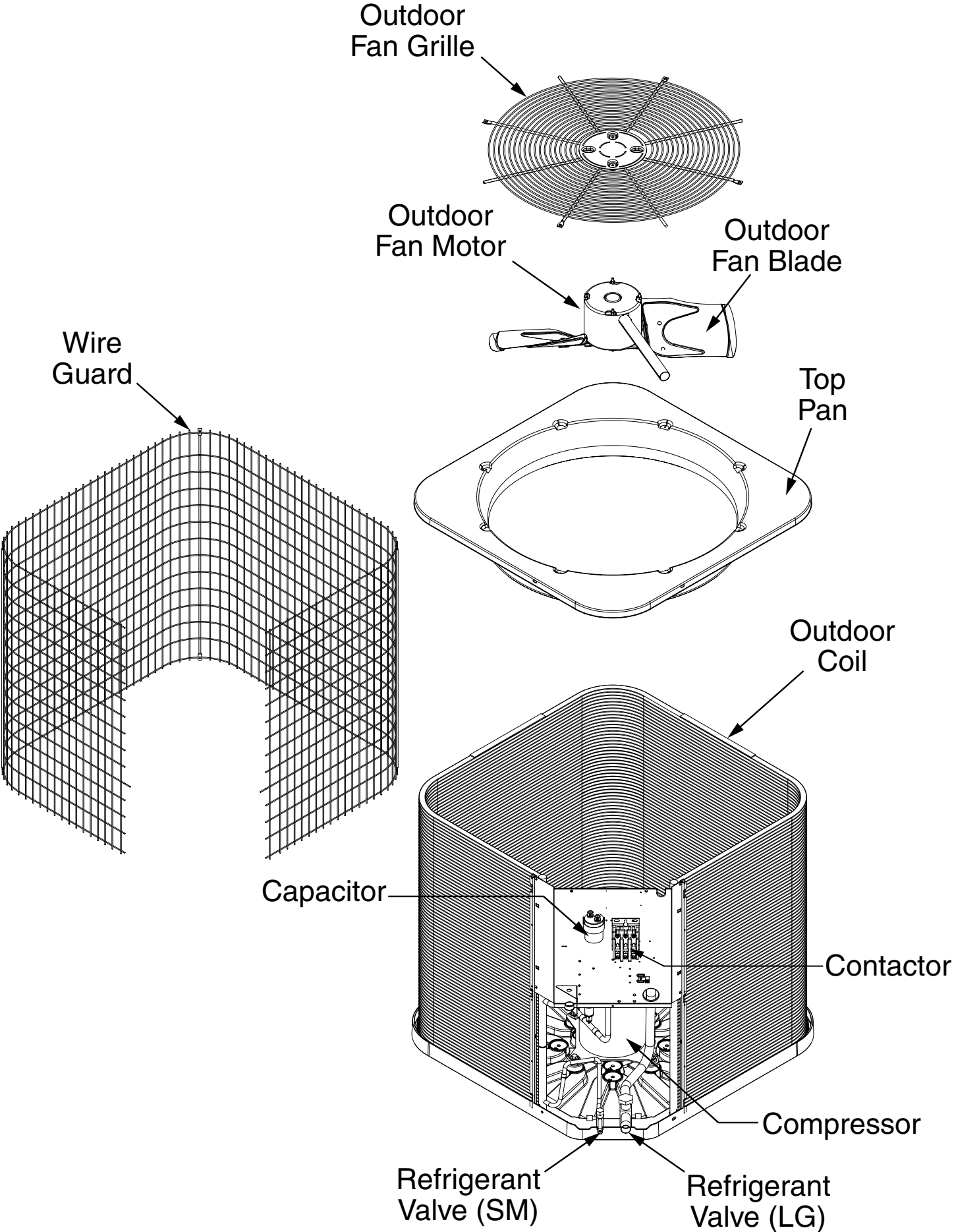
Capacitor

Contactor

Compressor

Refrigerant
Valve (SM)

Refrigerant
Valve (LG)



WSA2BD4M1SN COMMERCIAL SPLIT SYSTEM AIR CONDITIONER (3-PHASE, 460V)

DESCRIPTION	WSA2BD4M1SN36D	WSA2BD4M1SN48D	WSA2BD4M1SN60D
	1021715W	1021716W	1021717W
CAPACITOR	01-0023	01-0023	01-0023
COMPRESSOR	920137	920138	920333
COMPRESSOR MOLDED PLUG	634692R	634692R	634692R
CONTACTOR	621667R	621667R	621667R
FILTER DRIER	669764R	669764R	669764R
HAIL GUARD (FLEXIBLE MESH)	669227R	669230R	669230R
HIGH PRESSURE SWITCH	632473R	632473R	632473R
OUTDOOR COIL	1009900R	1009907R	1009907R
OUTDOOR FAN BLADE	667396R	1024013R	1024013R
OUTDOOR FAN GRILLE	669334R	669335R	669335R
OUTDOOR FAN MOTOR	622322	622323	622323
REFRIGERANT VALVE (LG)	663864R	663865R	663865R
REFRIGERANT VALVE (SM)	663862R	663862R	663862R
TOP PAN	496161YR	—	—
WIRE GUARD	102399402R	102399502R	102399502R

Please specify the correct Model No., Serial No., and part number(s) when ordering parts from the nearest authorized dealer or service center.

