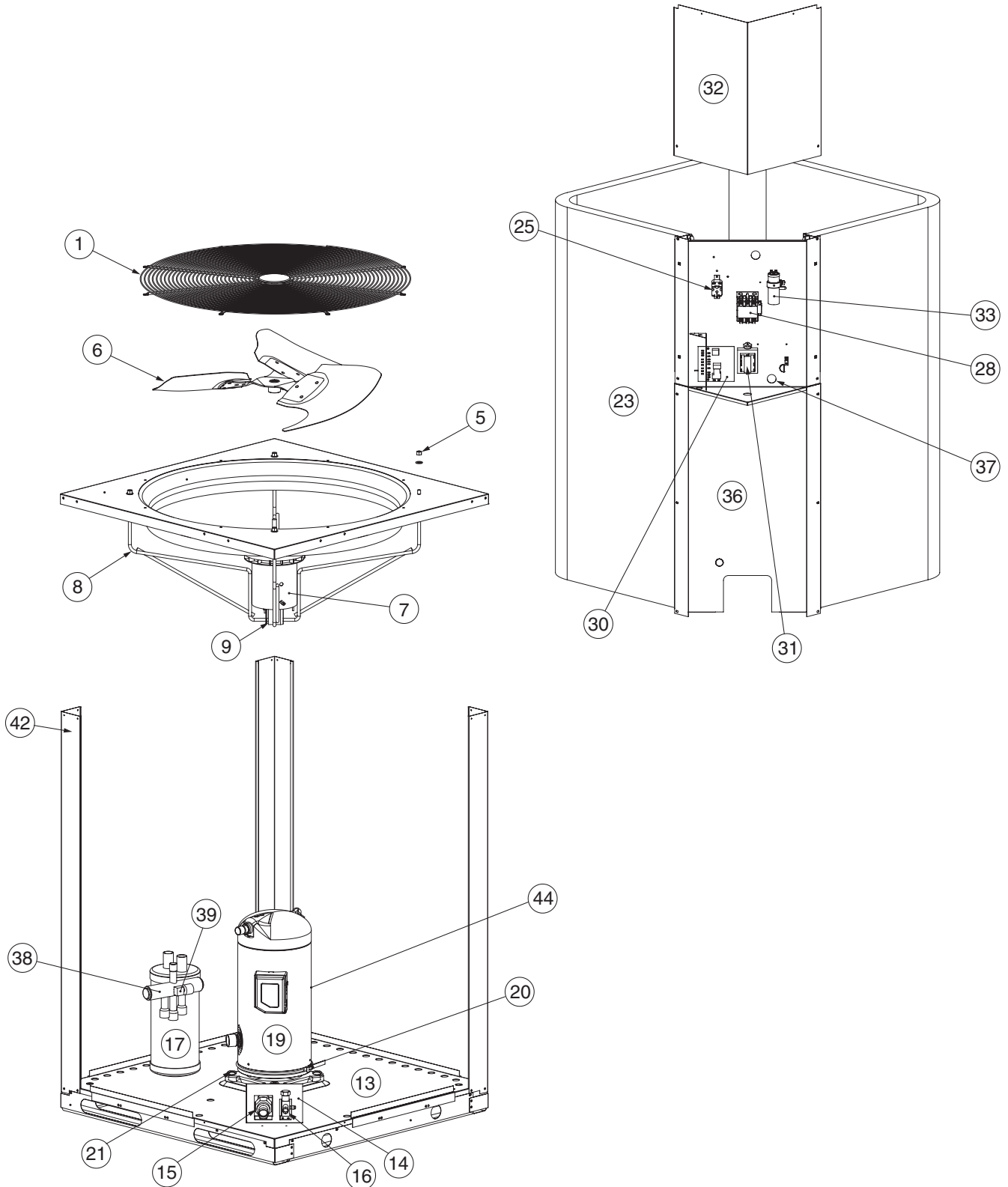


# REPLACEMENT PARTS LIST

LIGHT COMMERCIAL - 2-STAGE, SPLIT SYSTEM HEAT PUMP  
 3-PHASE, 11.0 EER, 12.7 IEER MODELS

T6BQ SERIES



## T6BQ LIGHT COMMERCIAL SPLIT SYSTEM HEAT PUMP

ITEM	DESCRIPTION	208-230V / 3 PH. / 60HZ		460V / 3 PH. / 60HZ	
		090C	120C	090D	120D
1	Fan Grill	669891	669891	669891	669891
5	Nut, Acorn	606253	606253	606253	606253
6	Fan Blade	667394	667399	667394	667399
7	Condenser Motor	622207R	622207R	622224R	622224R
8	Motor Mount, Basket	669854	669854	669854	669854
9	Motor Stand Off, .965" High	669903	669903	669903	669903
12	Base Rail, Middle (Not Shown)	D09720	D09720	D09720	D09720
13	Bottom Pan	D09650	D09650	D09650	D09650
14	Bracket, Valve Mount	295781	295781	295781	295781
15	Refrigerant Valve (Large)	664662R	664662R	664662R	664662R
16	Refrigerant Valve (Small)	663863	663863	663863	663863
17	Accumulator	669294	669294	669294	669294
18	Filter Dryer (Not Shown)	669886	669886	669886	669886
19	Compressor	1012956R	1012958R	1012957R	1012959R
20	Crankcase Heater	632345	632345	632346	632346
21	Grommet, Compressor	668530	668530	668530	668530
23	Outdoor Coil (Formed)	290122R	2B4922R	290122R	2B4922R
24	Repl, Hail Guard Kit (Not Shown)	669301R	669885R	669301R	669885R
25	Relay, DPST	621867	621867	621867	621867
26	Switch, High Pressure (Not Shown)	632473	632473	632473	632473
27	Switch, Low Pressure (Not Shown)	632361	632361	632361	632361
28	Contacto	621784	621784	621784	621784
30	Defrost Board	917178A	917178A	917178A	917178A
31	Transformer	622247	622247	622247	622247
32	Control Panel Cover	389330	389330	389330	389330
33	Capacitor	01-0027	01-0027	01-0027	01-0027
36	Access Panel	389360	2B4931	389360	2B4931
37	Snap Bushing	—	—	—	—
38	Reversing Valve	669889R	669889R	669889R	669889R
39	Coil, Reversing Valve, 24V, 48" Cord	669890R	669890R	669890R	669890R
40	Distributor Assembly (Not Shown)	663586R	664558R	663586R	664558R
41	Restrictor (Not Shown)	664093	664578	664093	664578
42	Corner Post	—	2A1052	—	2A1052
44	Low Voltage Molded Plug	634682	634682	634682	634682

Please specify the correct Model No., Serial No., and part number(s) when ordering parts from the nearest authorized dealer or service center.

