

# INSTALLATION INSTRUCTION

## INSTALLATION INSTRUCTIONS FOR 555641 HAIL GUARD USED WITH R4G\* 150/180 UNITS

935B-0505



### NOTICE TO INSTALLER WARNING!

*Refrigerant tubing located behind panels this Accessory is mounted. Special attention must be given if pre-drilling of holes or using screws other than those provided are used. Failure to follow these instructions could result in serious injury or property damage and may void Warranty.*

The Hail Guard is designed to prevent damage to the condensor coil of the unit. The following list of parts are required:

#### Step 1:

Check for correct number of parts. See list below.

- 1 - Rear Hail Guard (A)
- 1 - Rear Top Panel (B)
- 2 - Vertical Side Panel (C)
- 1 - Hardware Package
  - 8 - #10- 16 x 1/2 Screw
- 1 - Installation Instruction

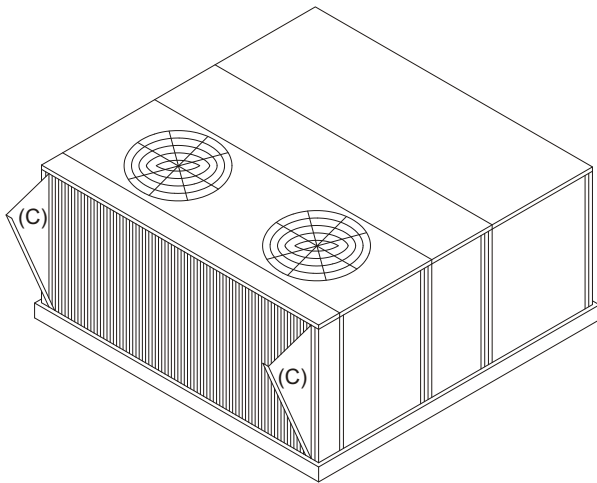


Figure 2

#### Step 3:

Then secure (A) hail guard in between clips on vertical side panel and close clips to hold in position.

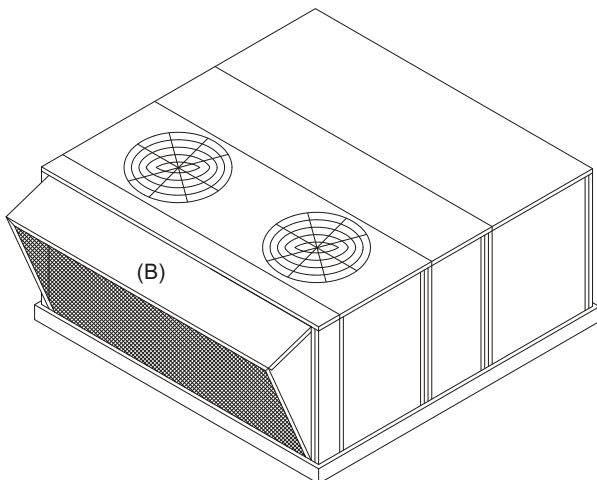


Figure 4

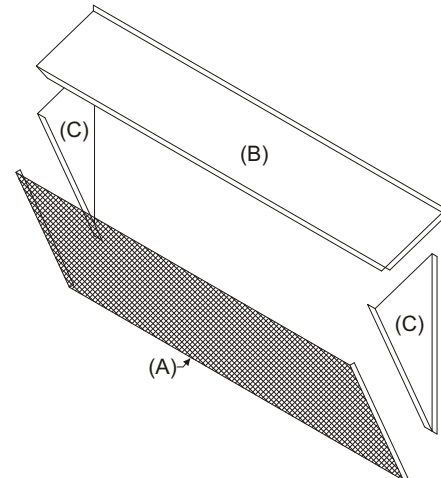


Figure 1

#### Step 2:

Take (C) vertical side panel and align inside of side panels with outside edge of coil. Then secure with the screws provided.

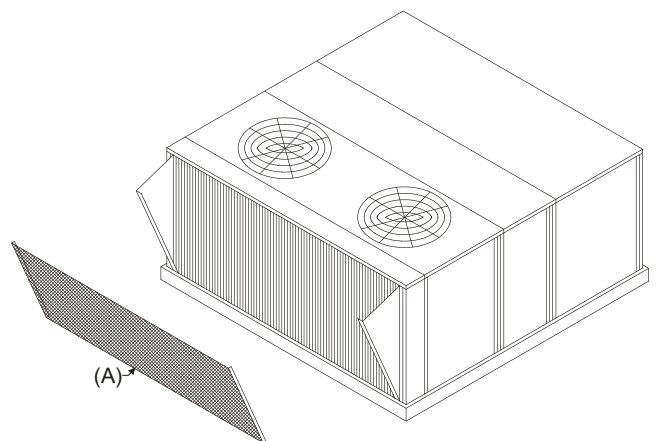


Figure 3

#### Step 4:

Now secure the (B) rear top panel flange under top of unit and flange over side panels. Then secure with screws provided.