

TECHNICAL SPECIFICATIONS

CMF95 Series

Gas Furnace

95.1%+ AFUE
45,000 thru 72,000 Btu/h

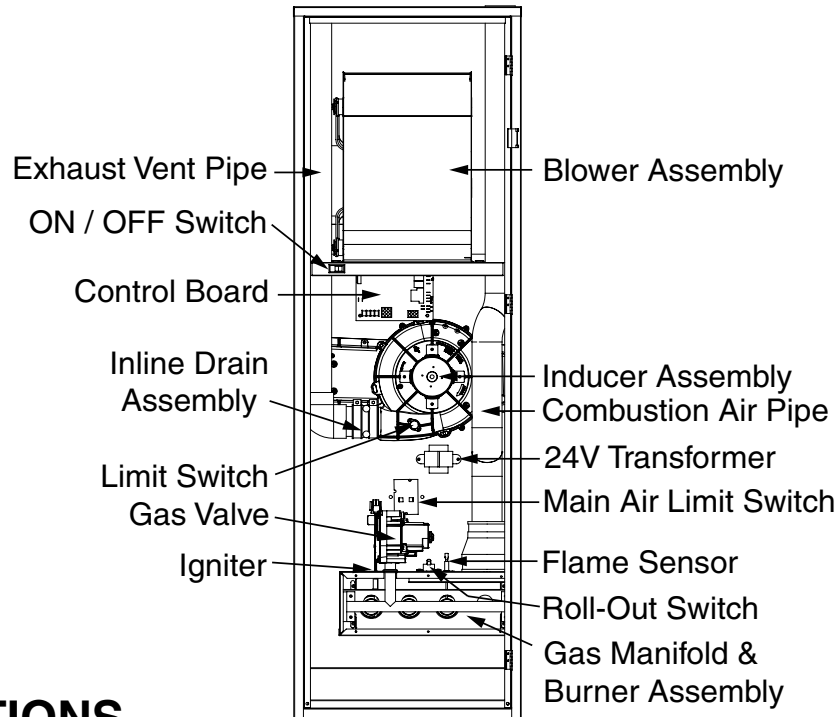
The CMF95 Series Furnace is a classic and time honored design. The CMF95 is a versatile and reliable product used in Manufactured Housing and other applications such as space heating, garages, hunting camps or single story residential structures. The new model CMF95 Furnace incorporates a multi-speed blower and multi-fired burner. Classic design countered with new technology make the new CMF95 today's choice for a multi-application fossil fuel heating appliance.



FEATURES and BENEFITS

- **Classic 18" width dimension** for tight replacement jobs.
- **Beckett gas burners** are standard.
- **100% fired and tested:** All units and each component are tested on the manufacturing line.
- **30 second blower delay** at start-up assures a warm duct temperature at furnace start-up. Adjustable blower off settings (60, 90, 120 and 180 seconds).
- **30 second post purge** increases life of heat exchanger.
- **Hot surface igniter:** Innovative application of a silicon nitride type igniter. Utilizes proven Smartlite® technology.
- **Color coded wire harness:** Designed to fit the components, all with quick-connect fittings for ease of service and replacement.
- **Flexible category IV venting system:** May be vertically or horizontally vented using either a one-pipe or two-pipe system for maximum flexibility in installation.
- **High Static Blowers:** All models equipped with high static blowers.
- **Tubular primary heat exchanger:** Heavy gauge aluminized steel heat exchanger and stainless steel secondary heat exchanger assures a long life.
- **Multi-speed direct drive blower:** Designed to give a wide range of cooling capacities. Switches on PCB, provide ultra easy motor speed selection.
- **LP convertible:** Simple burner orifice and regulator spring change for ease of convertibility.
- **Diagnostic lights for easy troubleshooting without counting flashes:** Dedicated light for flame signal strength and 2 lights in combination to indicate all other fault codes with easy to recognize states without counting flashes.

FURNACE COMPONENTS



SPECIFICATIONS

	CMF95 045	CMF95 072
Input (BTUH)*	45000	72000
Heating Capacity (BTUH)	42750	68400
AFUE (%)	95.1	95.1
Blower D x W (in.)	11 x 8	11 x 8
Motor HP-Speed-Type	1/2 - 4 - PSC	1/2 - 4 - PSC
Motor FLA (Amps)	8.60	8.00
Rated Ext. SP (in. WC)	0.3	0.3
Temperature Rise Range (°F)	25-55	30-60
Fuse or Breaker (Amps)	20	15
Shipping Weights (lbs)	150	155

Note: All models are 115V, 60 Hz, 1 phase. Gas Connections are 1/2" NPT.
AFUE = Annual Fuel Utilization Efficiency

* Ratings to 2,000 ft. Over 2,000 ft. reduce 4% for each 1,000 ft. above sea level.

AIRFLOW

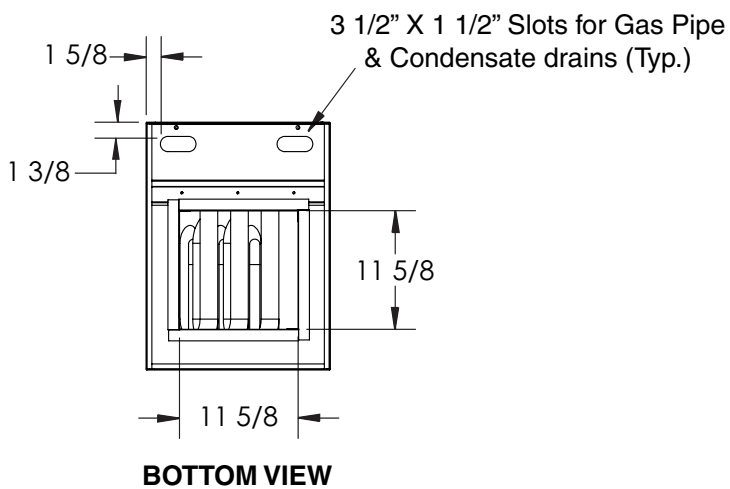
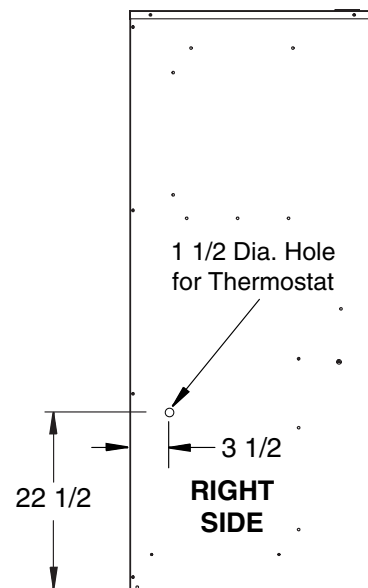
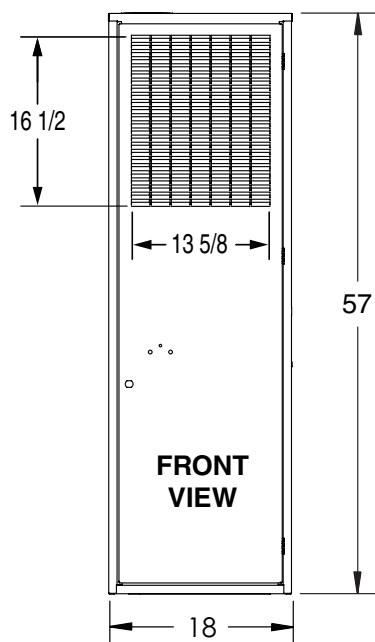
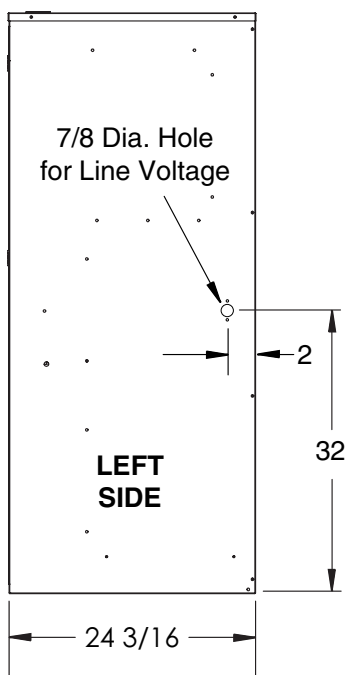
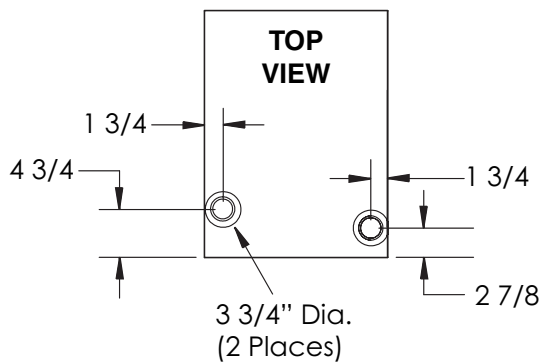
CMF95 Maximum Airflow & Temperature Rises

Model Number & Heating Input (BTUH)	Motor Speed	External Static Pressure (Inches Water Column)									
		0.1		0.2		0.3		0.4		0.5	
		CFM	Rise	CFM	Rise	CFM	Rise	CMF	Rise	CFM	Rise
CMF95 045 45,000	HIGH	1380	29	1335	30	1290	31	1230	32	1175	34
	MED HIGH	1350	29	1295	31	1240	32	1190	33	1135	35
	MED LOW	1100	36	1055	38	1020	39	975	41	920	43
	LOW ⁴	1000	40	970	41	935	42	900	44	860	46
CMF95 072 72,000	HIGH	1485	43	1440	44	1390	46	1340	47	1290	49
	MED HIGH ⁴	1263	50	1235	51	1205	53	1160	55	1115	57
	MED LOW	1130	56	1100	58	1175	54	1045	61	1000	63
	LOW	880	72	846	75	830	76	805	79	770	82

NOTES:

1. Temperature rises (°F) in the table are approximate. Actual temperature rises may vary.
2. Temperature rises shaded in gray are for reference only. These conditions are not recommended.
3. Airflow performance is with a filter.
4. Factory Set Heating Speed

FURNACE DIMENSIONS



VENTING

Maximum Direct Vent, Dual Pipe Length (ft.)*	
Furnace Model	Inlet / Outlet 3 in. Diameter
CMF95 045	60
CMF95 072	60

***NOTES:**

1. Subtract 3.5 ft. for each additional 3" 90 degree elbow.
2. Two 45 degree elbows are equivalent to one 90 degree elbow.
3. One short radius elbow is equivalent to two long radius elbows
4. Do not include termination elbows in calculation of vent length
5. This table is applicable for elevations from sea level to 2,000 ft.
For higher elevations decrease vent pipe lengths by 8% per 1000 ft. of altitude.
6. Only the listed pipe materials are approved for use with CMF95 condensing furnaces.
7. For Canadian applications, use ULC S636 approved material.

Pipe Materials	ANSI/ASTM Standard
Schedule 40PVC	D1785
PVC-DWV	D2665
SDR-21 & SDR-26	D2241
ABS-DWV	D2661
Schedule 40 ABS	F628
Foam / Cellular Core PVC	F891

ACCESSORIES

CMF Base Packages

PART NO.	DESCRIPTION
901696	CB-200A Cottage Base
903450	MA-100 Universal Base Package with 8" feeder duct
903451	MA-100 Universal Base Package with 13" feeder duct

PART NO.	DESCRIPTION
914098	Sloped Roof VentilAire III Kit
914229	Sloped Roof VentilAire IV Kit
917201	Soffit VentilAire Kit
904953	Concentric Vent Termination Kit
902377	Neutralizer Kit
921683	Vent Chase Kit

ORDERING INFORMATION

Please specify Model No. and Serial No. along with the exact part number(s) when ordering parts from the nearest authorized Dealer or Service Center.



GENERAL TERMS OF LIMITED WARRANTY

Nortek Global HVAC LLC will furnish a replacement for any part of this product which fails in normal use and service within the terms and conditions of the warranty.

For complete details of the Limited Warranty, including applicable terms and conditions, see your local installer or contact the Nortek Global HVAC LLC warranty department for a copy.

Before purchasing this appliance, read important energy cost and efficiency information available from your retailer. Specifications and illustrations subject to change without notice and without incurring obligations. Printed in U.S.A (04/2015)