

## NuTone® Choice

### GP5RD Series

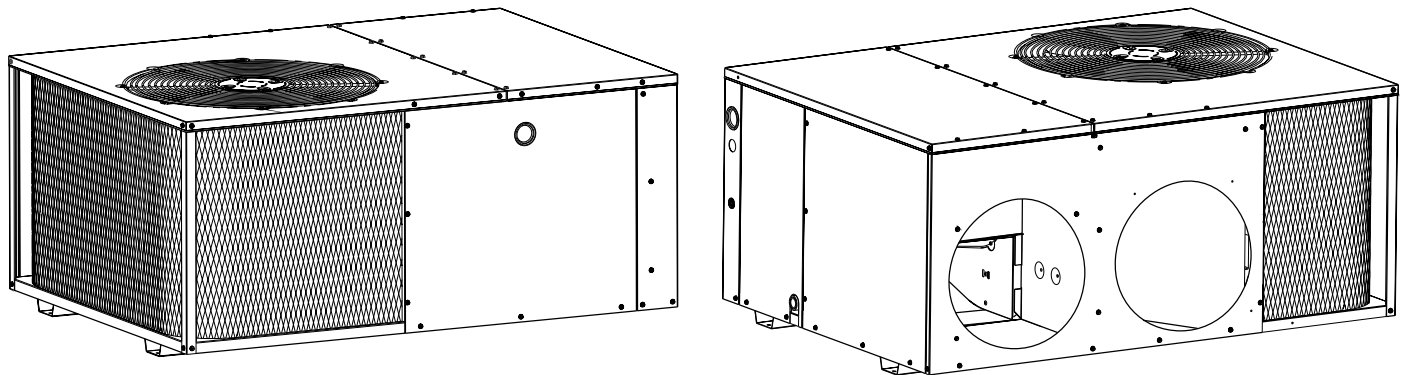
#### Single Packaged Air Conditioner, Single Phase

GP5RD-13 SEER, R-410A

2 thru 5 Ton Units

Cooling: 24,000 to 60,000 Btuh

The GP5 Series single packaged air conditioners are high efficiency self contained cooling and heating units that can be installed on a slab. Units are ETL and ETLc listed.

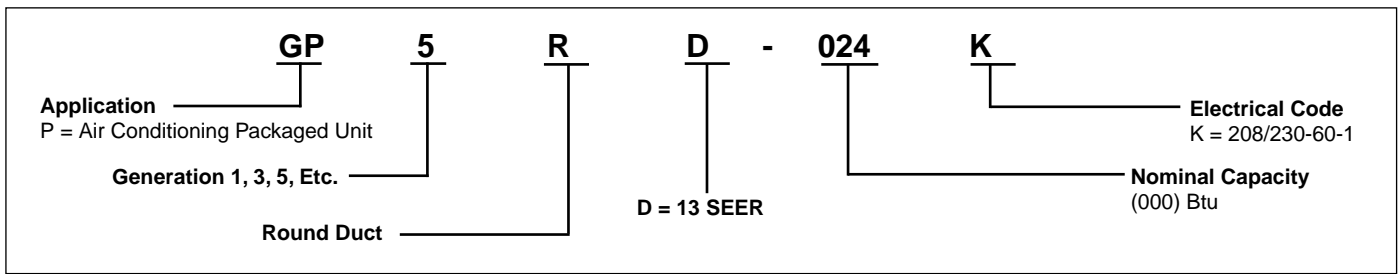


#### FEATURES and BENEFITS

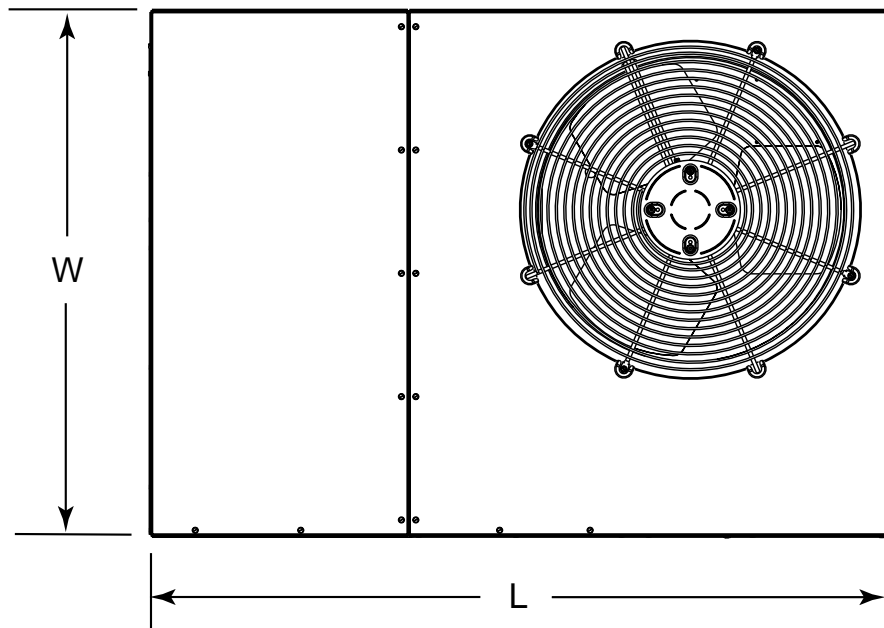
- **Warranty**
  - This product offers a 10-year all-parts warranty.
  - This product offers a 1 Year Quality Pledge to replace the unit if the compressor fails in the first year of operation, to the original owner.
  - Consumer product registration required for 10 year All Parts Warranty and Quality Pledge within a limited period of time after the installation. See current warranty document or visit our consumer web site listed on the back of this document for warranty details.
- **R-410A Refrigerant** environmentally friendly
- **State-of-the-art scroll compressor** is standard equipment.
- **Designed using galvanized steel** with a polyester urethane coat finish. The 950 hour salt spray finish resists corrosion 50% better than comparable units.
- **Both the evaporator and the condenser coils** are designed to optimize heat transfer, minimize size and cost, and increase durability and reliability.
- **The service valves are easily accessible** and simplify servicing of the refrigeration system.
- **A mesh hail guard that will never rust** protects the coil from being damaged by balls, lawnmowers, hail, etc.
- **Designed to make servicing easier** for the contractor, access panels are provided to all major components.
- **0" clearance** to combustibles on duct side of the unit allows for installations in tight areas.
- **Easy access** to evaporator for cleaning and general maintenance.
- **Drain trap** design optimizes drainage capabilities.
- **Easy to install** electric heat strip provides up to 20 kw of heat output.
- **Compact footprint and profile** make for easy installation and transport.
- **High Pressure Switch** added compressor protection.



# MODEL IDENTIFICATION CODE



# DIMENSIONS

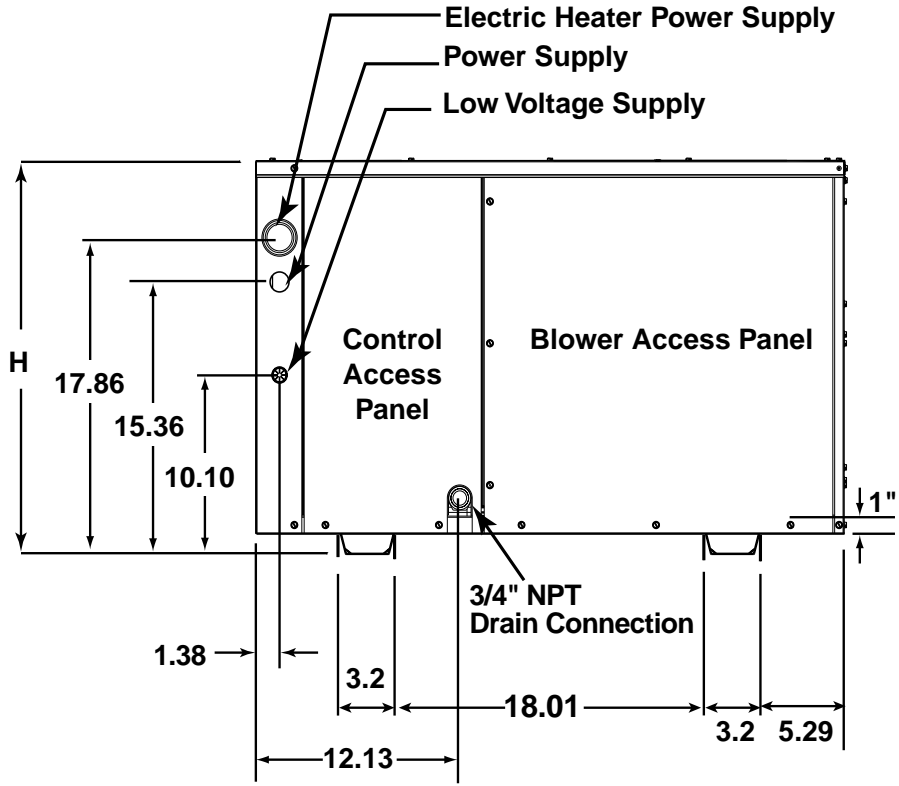


Top View

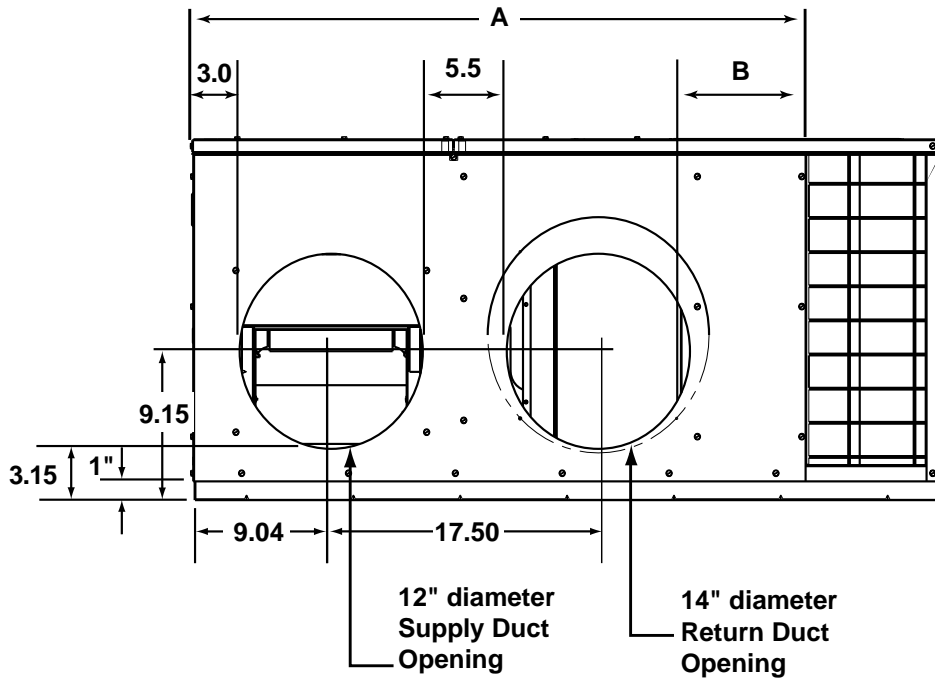
Model No. GP5RD-	(L) Length	(W) Width	(H) Height	A	B
024K	49	35	30.2	35.02	2.48
030K	49	35	30.2	35.02	2.48
036K	49	35	30.2	35.02	2.48
042K	49	35	30.2	35.02	2.48
048K	49	35	30.2	35.02	2.48
060K	49	35	34.2	35.02	2.48

Model Number GP5RD-	Return Diameter (in)	Supply Diameter (in)
024K	14	12
030K	14	12
036K	14	12
042K	14	12
048K	14	12
060K	14	12

# DIMENSIONS Continued



**Side View**



**Back (Duct) View**

# PHYSICAL SPECIFICATIONS

## GP5RD Models

Model No. GP5RD	024K	030K	036K	042K	048K	060K
<b>Electric Rating - 60Hz (a)</b>						
Operating Voltage Range	187 - 253	187 - 253	187 - 253	187 - 253	187 - 253	187 - 253
Min. Circuit Ampacity (a)	18.5	22.1	25.8	32.9	37.6	44.0
Field Wire Size - AWG (a)	12	10	10	8	8	6
Delay Fuse - Max. (b)	30	35	40	50	60	70
Total Unit - Amps FLA	15.3	18.2	21.1	27.4	31.5	36.6
<b>Compressor Data</b>						
Volts	208 - 230	208 - 230	208 - 230	208 - 230	208 - 230	208 - 230
Rated Load Amps	12.8	15.7	18.6	22.1	24.3	29.4
Lock Rotor Amps	58.3	73.0	79.0	109.0	117.0	134.0
<b>Fan Motor and Condenser</b>						
Fan Motor - HP - RPM	1/8 - 1100	1/8 - 1100	1/8 - 1100	1/8 - 1100	1/4 - 1100	1/4 - 1100
Fan Motor - Amps	1.1	1.1	1.1	1.2	1.2	1.2
Fan Diameter / CFM	20" - 2800	20" - 2800	20" - 2800	20" - 3000	20" - 3000	20" - 3000
<b>Motor and Evaporator</b>						
Blower Motor - HP - RPM	1/4 - 980	1/4 - 980	1/4 - 980	1/2 - 1000	3/4 - 1060	3/4 - 1060
Blower Motor - Amps	1.4	1.4	1.4	4.1	6	6
CFM @ E.S.P. - in. W.C.	770 @ .30	1064 @ .30	1064 @ .30	1300 @ .30	1500 @ .30	1650 @ .30
<b>Refrigerant Charge - Oz.</b>						
	125	128	147.2	126.4	155.2	148.8
<b>Shipping weight - lbs.</b>						
	290	295	295	312	318	348

- (a) Amperage and wire size based on refrigeration system only. See Electrical Data tables for supplemental electric heaters. Refer to National Electric Code for additional derating factors for field installed conductors.
- (b) Use time delay fuse or "HACR" type circuit breaker.

# ELECTRICAL DATA

Model Number	Heater Installed Nom. KW	Single Supply Circuit Option						Multiple Supply Circuit Option								
		Circuit A			Circuit B			Circuit A			Circuit B					
		Minimum Circuit Amp.	Rec Wire Gauge (60°C Cu)	Rec Wire Gauge (75°C Cu)	Rec Wire Gauge (90°C Cu)	Maximum Over-current Rating*	Minimum Circuit Amp.	Rec Wire Gauge (60°C Cu)	Rec Wire Gauge (75°C Cu)	Rec Wire Gauge (90°C Cu)	Maximum Over-current Rating	Minimum Circuit Amp.	Rec Wire Gauge (60°C Cu)	Rec Wire Gauge (75°C Cu)	Rec Wire Gauge (90°C Cu)	Maximum Over-current Rating
GP5RD-024K	0	18.5	12	12	12	30	-	-	-	-	-	-	-	-	-	-
	5	26.8	10	10	10	30	-	-	-	-	-	-	-	-	-	-
	8	41.3	6	8	8	45	-	-	-	-	-	-	-	-	-	-
	10	51.8	6	6	8	60	-	-	-	-	-	-	-	-	-	-
GP5RD-030K	0	22.1	10	10	10	35	-	-	-	-	-	-	-	-	-	-
	5	26.8	10	10	10	35	-	-	-	-	-	-	-	-	-	-
	8	41.3	6	8	8	45	-	-	-	-	-	-	-	-	-	-
	10	51.8	6	6	8	60	-	-	-	-	-	-	-	-	-	-
	15	76.8	3	4	4	80	50	6	8	8	60	26.8	10	10	10	30
GP5RD-036K	0	25.8	10	10	10	40	-	-	-	-	-	-	-	-	-	-
	5	26.8	10	10	10	40	-	-	-	-	-	-	-	-	-	-
	8	41.3	6	8	8	45	-	-	-	-	-	-	-	-	-	-
	10	51.8	6	6	8	60	-	-	-	-	-	-	-	-	-	-
	15	76.8	3	4	4	80	50	6	8	8	60	26.8	10	10	10	30
GP5RD-042K	0	32.9	8	8	8	50	-	-	-	-	-	-	-	-	-	-
	5	32.2	8	8	8	50	-	-	-	-	-	-	-	-	-	-
	8	44.7	6	8	8	50	-	-	-	-	-	-	-	-	-	-
	10	55.1	4	6	6	60	-	-	-	-	-	-	-	-	-	-
	15	80.1	3	4	4	90	50	6	8	8	50	30.1	8	8	8	35
	20	105.1	1	2	3	110	50	6	8	8	50	55.1	4	6	6	60
GP5RD-048K	0	37.6	8	8	8	60	-	-	-	-	-	-	-	-	-	-
	5	37.6	8	8	8	60	-	-	-	-	-	-	-	-	-	-
	8	47.1	6	8	8	60	-	-	-	-	-	-	-	-	-	-
	10	57.5	4	6	6	60	-	-	-	-	-	-	-	-	-	-
	15	82.5	3	4	4	90	50	6	8	8	50	32.5	8	8	8	35
	20	107.5	1	2	3	110	50	6	8	8	50	57.5	4	6	6	60
GP5RD-060K	0	44.0	6	8	8	70	-	-	-	-	-	-	-	-	-	-
	5	44.0	6	8	8	70	-	-	-	-	-	-	-	-	-	-
	8	47.1	6	8	8	70	-	-	-	-	-	-	-	-	-	-
	10	57.5	4	6	6	70	-	-	-	-	-	-	-	-	-	-
	15	82.5	3	4	4	90	50	6	8	8	60	32.5	8	8	8	35
	20	107.5	1	2	3	110	50	6	8	8	60	57.5	4	6	6	60

**NOTE:** If electric heat is installed, and the overcurrent rating exceeds 60A, internal circuit breakers must be installed in addition to branch circuit protection at the distribution panel.

## SYSTEM COOLING CAPACITIES

Model Number GP5RD-	Cooling Btuh	SEER	EER
024K	24,000	13	12.4
030K	30,000	13	12.0
036K	35,400	13	11.4
042K	41,000	13	11.5
048K	47,500	13	11.3
060K	55,000	13	10.8

## BLOWER PERFORMANCE

Model Number GP5RD		External Static Pressure (in. WC)					
		0.1	0.2	0.3	0.4	0.5	0.6
024K *	Low	847	808	770	726	664	562
	High	1104	1114	1064	1010	935	846
030K †	Low	847	808	770	726	664	562
	High	1104	1114	1064	1010	935	846
036K †	Low	847	808	770	726	664	562
	High	1104	1114	1064	1010	935	846
042K * **	Tap T1	1100	900	750	650	580	520
	Tap T2	1170	1080	1000	620	900	860
	Tap T3	1220	1180	1140	1100	1070	1020
	Tap T4	1370	1333	1300	1260	1230	1180
	Tap T5	1410	1340	1450	1320	1280	1240
048K * **	Tap T1	1380	1360	1340	1300	1260	1240
	Tap T2	1530	1480	1450	1420	1390	1350
	Tap T3	1570	1540	1500	1475	1440	1405
	Tap T4	1740	1700	1650	1630	1600	1560
	Tap T5	2130	2080	1970	1890	1850	1800
060K * **	Tap T1	1380	1360	1340	1300	1260	1240
	Tap T2	1530	1480	1450	1420	1390	1350
	Tap T3	1570	1540	1500	1475	1440	1405
	Tap T4	1740	1700	1650	1630	1600	1560
	Tap T5	2130	2080	1970	1890	1850	1800

COPPER WIRE SIZE – AWG (1% Voltage Drop)				
Supply Wire Length-Feet				Supply Circuit Ampacity
200	150	100	50	
6	8	10	14	15
4	6	8	12	20
4	6	8	10	25
4	4	6	10	30
3	4	6	8	35
3	4	6	8	40
2	3	4	6	45
2	3	4	6	50

Wire Size based on N.E.C. for 60° type copper conductors.

**NOTE:** Airflow performance is with a dry coil

\* Denotes factory set cooling speed

\*\* Denotes factory set electric heating speed

† Factory set cooling and electric heating speed

## ACCESSORIES

### Heater Application Matrix

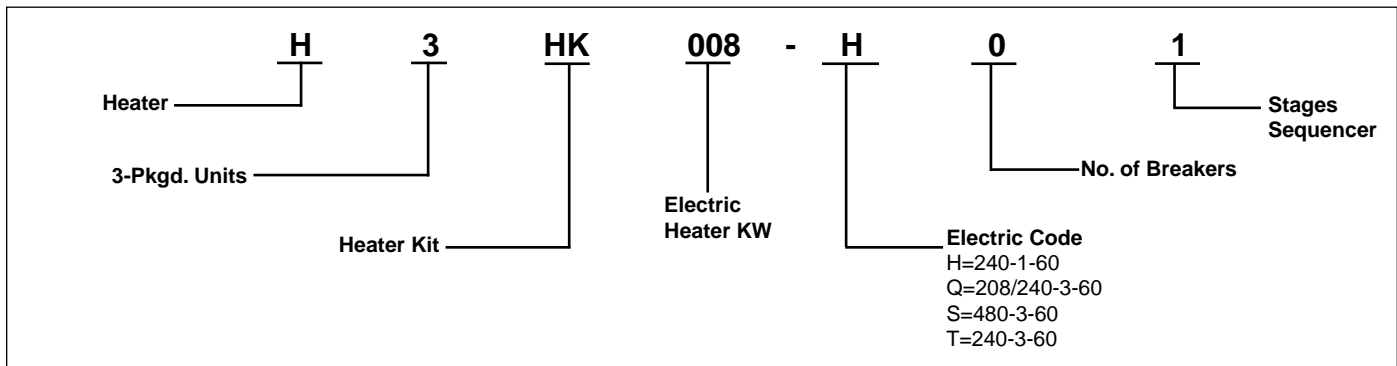
Model Number GP5RD-	H3HK-005H-01B 917166B	H3HK-008H-01B 917167B	H3HK-010H-01B 917168B	H3HK-015H-01B 917169B	H3HK-020H-01B 917170B	H3HK-015H-21B 917172B	H3HK-020H-21B 917173B
024K	X	X	X	NA	NA	NA	NA
030K	X	X	X	X(2)	NA	X	NA
036K	X	X	X	X(2)	NA	X	NA
042K	X	X	X	X(2)	X(2)	X	X
048K	X	X	X	X(2)	X(2)	X	X
060K	X	X	X	X(2)	X(2)	X	X

NA = Not Approved.

( ) = Number of internal circuit breaker kits required.

X = Branch circuit protection only.

### MODEL IDENTIFICATION CODE



### Accessories

Description	Part Number
4-Pole single circuit adaptor	913350
6-Pole single circuit adaptor	913556
Circuit Breaker Single Phase (2-pole)	913554
Extreme High Wind Kit - Ground Mount	903694



# COOLING EXPANDED RATINGS

## GP5RD-024K

O.D.T			85°F			95°F			105°F			115°F		
CFM	E.D.B.	E.W.B.	T.C.	S.C.	K.W.	T.C.	S.C.	K.W.	T.C.	S.C.	K.W.	T.C.	S.C.	K.W.
750	80	62	24.1	22.3	1.81	23.0	21.8	2.00	21.7	21.2	2.21	20.4	20.2	2.45
	80	67	26.2	18.7	1.83	24.9	18.2	2.02	23.6	17.6	2.23	22.0	16.9	2.47
	80	72	28.5	15.1	1.86	27.1	14.6	2.05	25.6	14.0	2.26	23.9	13.4	2.49
	75	63	24.3	16.2	1.81	23.2	16.2	2.00	21.9	16.1	2.22	20.4	15.7	2.45
900	80	62	25.1	24.6	1.82	24.0	23.9	2.01	22.8	22.8	2.22	21.5	21.5	2.46
	80	67	27.0	20.5	1.84	25.7	20.0	2.03	24.3	19.3	2.24	22.6	18.6	2.47
	80	72	29.2	16.2	1.87	27.8	15.7	2.06	26.3	15.1	2.27	24.5	14.5	2.50
	75	63	25.1	18.5	1.82	23.9	18.4	2.01	22.5	18.1	2.22	21.0	17.6	2.46
1050	80	62	26.1	25.9	1.83	25.0	24.9	2.02	23.8	23.8	2.23	22.4	22.4	2.47
	80	67	27.6	22.2	1.84	26.3	21.7	2.04	24.8	21.0	2.25	23.2	20.3	2.48
	80	72	29.8	17.3	1.88	28.3	16.8	2.07	26.8	16.2	2.28	25.0	15.5	2.51
	75	63	25.7	20.9	1.82	24.5	20.5	2.02	23.0	20.0	2.23	21.5	19.4	2.47

## GP5RD-030K

O.D.T			85°F			95°F			105°F			115°F		
CFM	E.D.B.	E.W.B.	T.C.	S.C.	K.W.	T.C.	S.C.	K.W.	T.C.	S.C.	K.W.	T.C.	S.C.	K.W.
900	80	62	28.9	26.4	2.25	27.5	25.9	2.48	26.0	25.4	2.73	24.4	24.2	3.03
	80	67	31.3	22.0	2.28	29.8	21.4	2.50	28.1	20.7	2.75	26.3	20.0	3.04
	80	72	34.2	17.6	2.30	32.5	17.0	2.53	30.7	16.3	2.77	28.5	15.6	3.06
	75	63	29.1	19.4	2.26	27.7	19.5	2.49	26.2	19.3	2.74	24.4	18.9	3.03
1050	80	62	29.9	28.7	2.27	28.5	28.1	2.49	27.1	26.9	2.74	25.6	25.6	3.03
	80	67	32.1	23.9	2.29	30.5	23.2	2.51	28.8	22.5	2.76	26.9	21.7	3.04
	80	72	34.7	18.8	2.31	33.0	18.2	2.53	31.2	17.5	2.78	29.1	16.7	3.06
	75	63	29.9	21.9	2.27	28.4	21.8	2.49	26.8	21.4	2.74	25.0	20.8	3.03
1200	80	62	30.9	30.3	2.27	29.6	29.2	2.50	28.1	28.1	2.75	26.5	26.5	3.04
	80	67	32.8	25.6	2.29	31.1	25.0	2.51	29.4	24.3	2.76	27.4	23.4	3.05
	80	72	35.4	19.9	2.32	33.7	19.3	2.54	31.7	18.6	2.79	29.6	17.8	3.07
	75	63	30.5	24.5	2.28	29.0	24.1	2.50	27.3	23.5	2.75	25.5	22.8	3.04

## GP5RD-036K

O.D.T			85°F			95°F			105°F			115°F		
CFM	E.D.B.	E.W.B.	T.C.	S.C.	K.W.	T.C.	S.C.	K.W.	T.C.	S.C.	K.W.	T.C.	S.C.	K.W.
900	80	62	33.4	28.5	2.80	31.7	27.9	3.10	30.0	27.4	3.45	28.0	26.3	3.85
	80	67	36.3	24.1	2.83	34.5	23.3	3.13	32.6	22.5	3.48	30.4	21.6	3.88
	80	72	39.7	19.5	2.88	37.8	18.8	3.18	35.7	18.1	3.52	33.3	17.2	3.93
	75	63	33.8	21.3	2.81	32.1	21.4	3.11	30.3	21.0	3.46	28.3	20.5	3.85
1050	80	62	34.5	31.0	2.81	32.8	30.6	3.11	31.0	29.9	3.46	29.0	28.8	3.86
	80	67	37.3	25.9	2.85	35.5	25.1	3.15	33.5	24.3	3.49	31.2	23.3	3.89
	80	72	40.6	20.8	2.90	38.6	20.1	3.19	36.2	19.3	3.53	33.7	18.4	3.94
	75	63	34.8	23.9	2.82	33.1	23.7	3.12	31.1	23.2	3.47	29.0	22.5	3.86
1200	80	62	35.5	33.6	2.82	33.8	32.8	3.12	31.9	31.9	3.47	30.1	30.1	3.88
	80	67	38.2	27.7	2.86	36.3	26.9	3.16	34.2	26.0	3.50	31.9	25.1	3.90
	80	72	41.1	21.9	2.90	39.1	21.2	3.20	36.8	20.4	3.55	34.4	19.5	3.95
	75	63	35.6	26.7	2.83	33.8	26.1	3.13	31.8	25.4	3.47	29.6	24.5	3.87

## COOLING EXPANDED RATINGS (CONTINUED)

### GP5RD-042K

O.D.T			85°F			95°F			105°F			115°F		
CFM	E.D.B.	E.W.B.	T.C.	S.C.	K.W.	T.C.	S.C.	K.W.	T.C.	S.C.	K.W.	T.C.	S.C.	K.W.
1150	80	62	40.5	35.7	3.26	38.3	34.6	3.64	36.1	33.4	4.06	33.7	31.7	4.51
	80	67	43.8	30.5	3.28	41.5	29.5	3.67	39.0	28.3	4.09	36.4	27.1	4.54
	80	72	48.2	25.0	3.31	45.5	24.1	3.70	42.6	23.0	4.11	39.1	21.8	4.57
	75	63	40.9	25.9	3.26	38.7	25.9	3.64	36.4	25.6	4.06	33.9	24.9	4.52
1300	80	62	41.5	37.9	3.27	39.3	36.8	3.65	37.0	35.5	4.07	34.5	34.0	4.52
	80	67	44.9	32.3	3.29	42.5	31.2	3.67	39.9	30.0	4.09	37.1	28.8	4.55
	80	72	48.8	26.2	3.32	45.7	25.2	3.70	42.9	24.0	4.12	39.9	22.8	4.58
	75	63	41.9	28.7	3.27	39.6	28.3	3.65	37.2	27.7	4.07	34.6	26.8	4.53
1450	80	62	42.4	40.1	3.27	40.2	38.8	3.65	37.8	37.2	4.08	35.4	35.4	4.53
	80	67	45.7	34.0	3.30	43.2	32.9	3.68	40.6	31.7	4.10	37.8	30.1	4.56
	80	72	49.2	27.3	3.32	46.4	26.2	3.70	43.6	25.0	4.12	40.5	23.7	4.59
	75	63	42.7	31.6	3.28	40.4	30.8	3.66	37.9	29.9	4.08	35.2	28.5	4.53

### GP5RD-048K

O.D.T			85°F			95°F			105°F			115°F		
CFM	E.D.B.	E.W.B.	T.C.	S.C.	K.W.	T.C.	S.C.	K.W.	T.C.	S.C.	K.W.	T.C.	S.C.	K.W.
1350	80	62	46.0	40.8	3.76	43.7	39.8	4.18	41.1	38.8	4.67	38.4	37.0	5.22
	80	67	49.6	34.1	3.79	47.0	33.0	4.22	44.2	31.7	4.70	41.1	30.3	5.25
	80	72	53.2	27.8	3.82	50.3	26.6	4.25	47.4	25.4	4.74	44.0	24.1	5.30
	75	63	46.2	29.9	3.76	43.8	29.9	4.19	41.2	29.4	4.67	38.3	28.6	5.22
1500	80	62	47.0	43.1	3.77	44.6	42.3	4.19	42.1	40.9	4.68	39.2	39.2	5.23
	80	67	50.5	35.9	3.80	47.8	34.7	4.23	45.0	33.4	4.71	41.8	32.0	5.26
	80	72	54.0	28.8	3.83	51.1	27.7	4.26	48.0	26.5	4.75	44.6	25.1	5.31
	75	63	47.1	32.7	3.77	44.7	32.3	4.20	41.9	31.6	4.68	38.9	30.6	5.23
1650	80	62	48.0	45.6	3.77	45.5	44.3	4.20	42.9	42.9	4.69	40.2	40.2	5.24
	80	67	51.3	37.6	3.80	48.6	36.4	4.23	45.6	35.0	4.72	42.3	33.6	5.27
	80	72	54.8	29.9	3.84	51.8	28.7	4.27	48.6	27.4	4.75	45.1	26.0	5.31
	75	63	47.9	35.8	3.78	45.3	34.9	4.21	42.6	33.9	4.69	39.5	32.5	5.23

### GP5RD-060K

O.D.T			85°F			95°F			105°F			115°F		
CFM	E.D.B.	E.W.B.	T.C.	S.C.	K.W.	T.C.	S.C.	K.W.	T.C.	S.C.	K.W.	T.C.	S.C.	K.W.
1450	80	62	53.0	45.6	4.50	50.2	44.6	5.01	47.1	43.7	5.60	43.6	41.7	6.28
	80	67	57.3	38.4	4.56	54.2	37.1	5.07	50.8	35.6	5.66	46.9	34.0	6.34
	80	72	62.5	31.0	4.64	59.0	29.8	5.15	55.1	28.5	5.73	50.5	26.9	6.40
	75	63	53.5	33.9	4.51	50.7	33.9	5.02	47.4	33.4	5.61	43.8	32.4	6.29
1600	80	62	54.1	48.2	4.51	51.2	47.4	5.02	48.1	46.1	5.61	44.5	44.2	6.29
	80	67	58.4	40.2	4.58	55.2	38.9	5.08	51.6	37.4	5.67	47.6	35.7	6.35
	80	72	63.2	32.3	4.65	59.5	31.0	5.16	55.5	29.6	5.74	51.2	28.0	6.42
	75	63	54.5	37.1	4.52	51.5	36.6	5.03	48.2	35.8	5.62	44.5	34.5	6.30
1750	80	62	55.1	50.9	4.53	52.2	49.7	5.04	49.0	48.4	5.63	45.5	45.5	6.32
	80	67	59.2	42.0	4.59	56.0	40.7	5.10	52.3	39.2	5.69	48.2	37.5	6.36
	80	72	63.7	33.5	4.66	60.1	32.2	5.17	56.2	30.7	5.75	51.8	29.1	6.43
	75	63	55.4	40.5	4.53	52.3	39.6	5.04	48.9	38.3	5.64	45.1	36.7	6.31





We Encourage Professionalism



Through Technician Certification by NATE



www.nordyne.com

O'Fallon, MO

**NORDYNE**

**917C-0708**

Before purchasing this appliance, read important energy cost and efficiency information available from your retailer. Specifications and illustrations subject to change without notice and without incurring obligations.

Printed in U.S.A. (07/08)