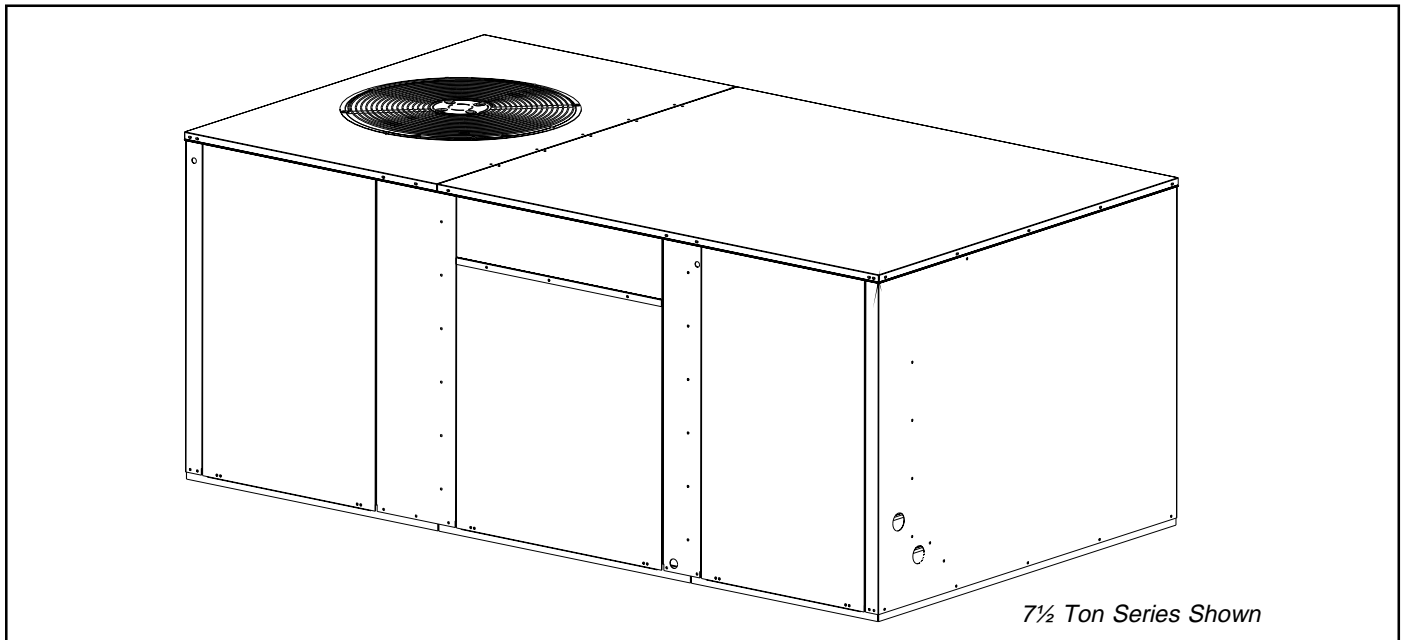

TECHNICAL SPECIFICATIONS

(*P4SM Series

Single Packaged Electric Cooling Units

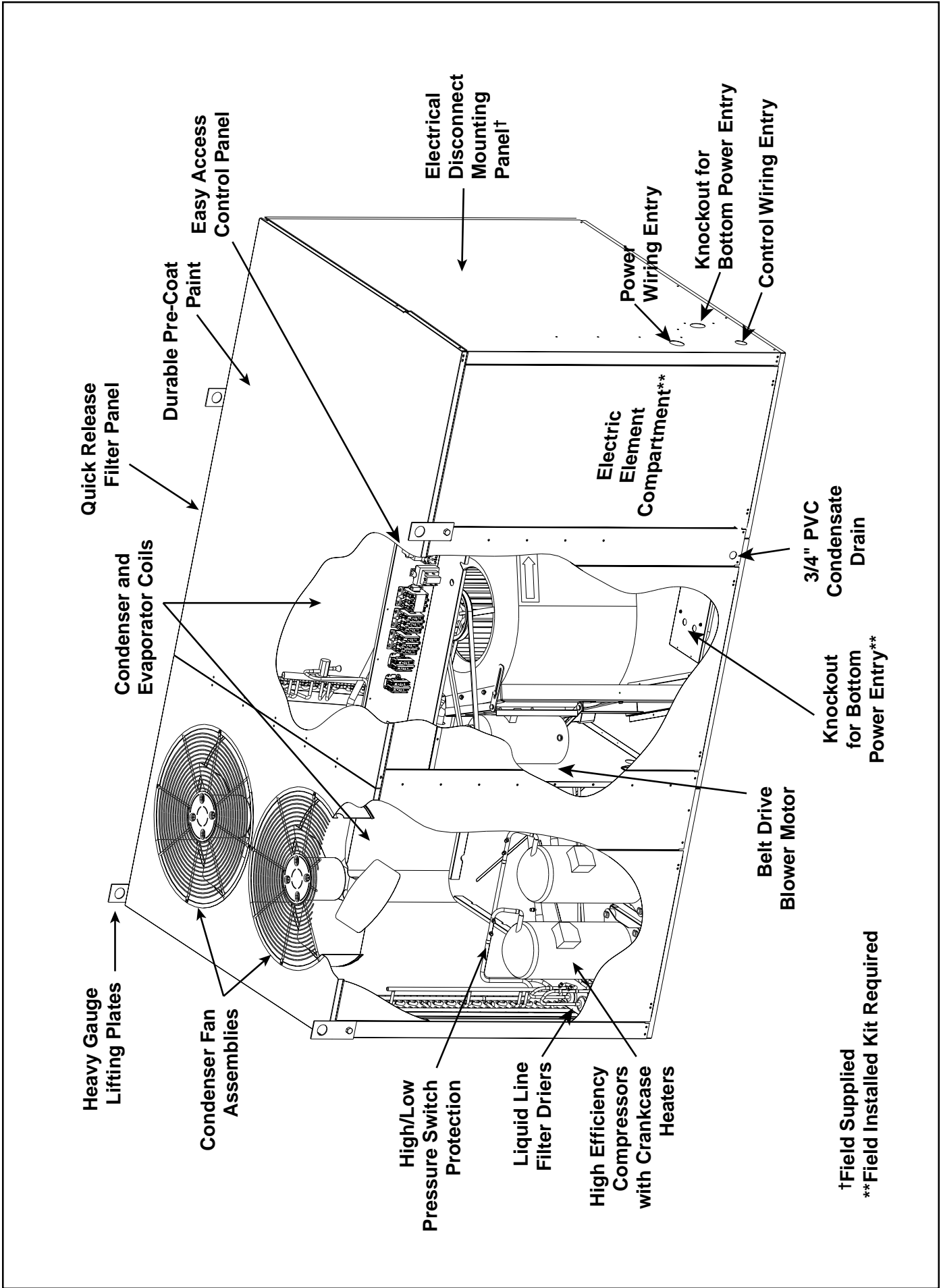
(*P4SM 9 EER 7½ and 10 Ton Units

These 7½ and 10 ton units are designed specifically for retrofit applications and compatibility with most standard footprints. They take less time to install and retrofit, making the contractor's job more profitable. 7½ and 10 ton units offer flexibility in the replacement market by utilizing a database of major manufacturer's unit footprints and offers roof curb transitions to meet virtually any configuration.

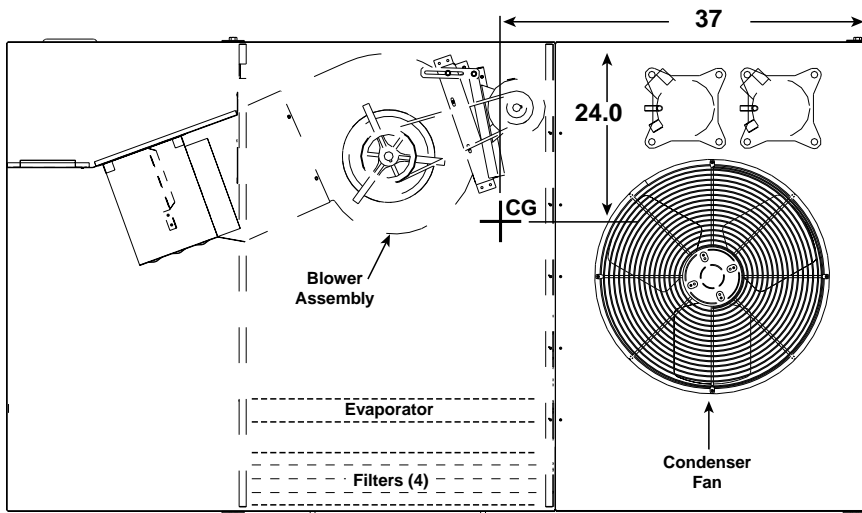


FEATURES AND BENEFITS

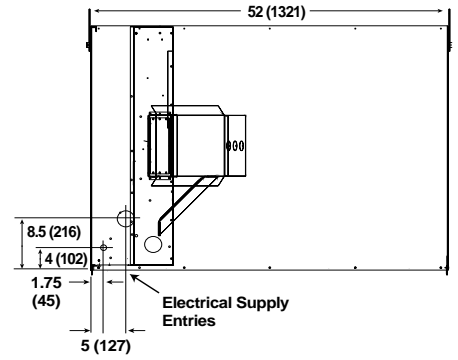
- **Lifting Lugs**
Eliminates need for spacer bar and complicated rigging — helps protect the unit during installation.
- **Convertible Air Delivery**
Fits most standard applications and easily converts to horizontal airflow with kit.
- **Compatibility**
Fits most standard rooftop applications — can be easily adapted for exceptions.
Footprint database available for cross-reference.
- **Fully Insulated Bottom Pan**
Helps ensure quiet operation and prevents condensation.
- **Quick-Release Filter Access Panels**
Requires no special servicing tools.
- **20-Gauge Precoated Paint**
Promotes corrosion resistance and long life.
- **Two-Stage Cooling**
Offers cooling ranges from 45,000/90,000 to 60,000/120,000 Btu/h.
Dual refrigeration circuits.
- **For Easy Service**
Hi/low service ports allow quick access without disrupting operation.
Hi/low pressure switches ensure long compressor life.
Proven, industry standard components for service and availability.
- **Commercial Warranty**
1 year limited parts
5 year compressor



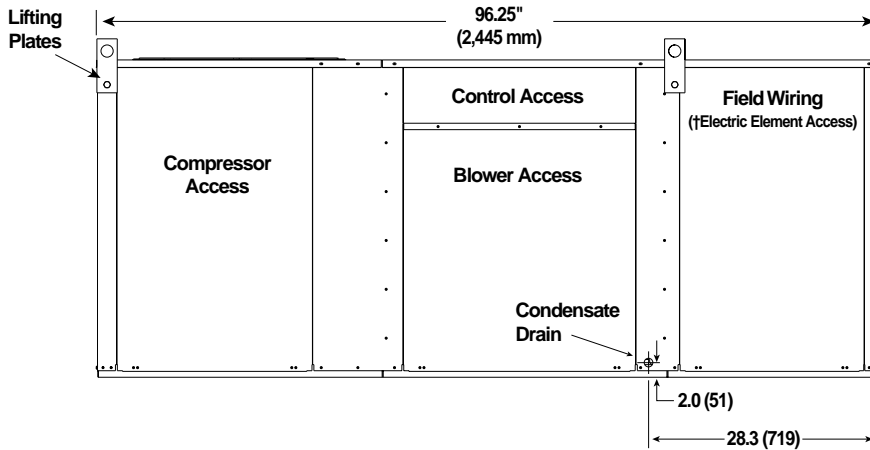
(*P4SM-090 SERIES – PHYSICAL DATA



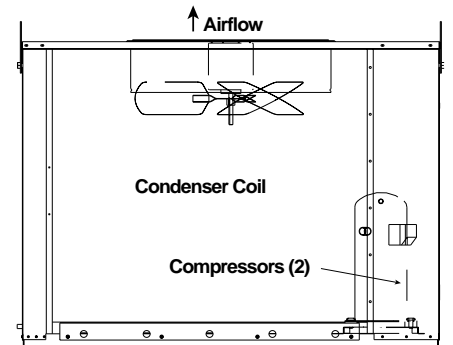
TOP VIEW



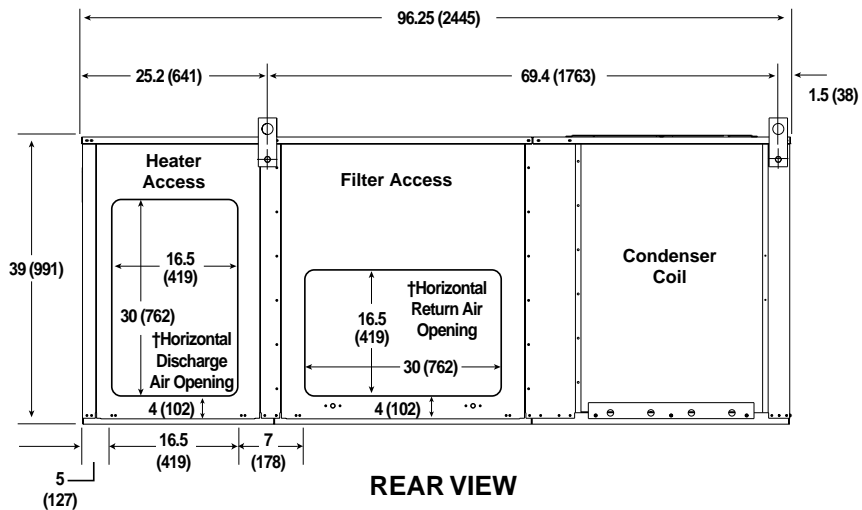
HEAT EXCHANGER END



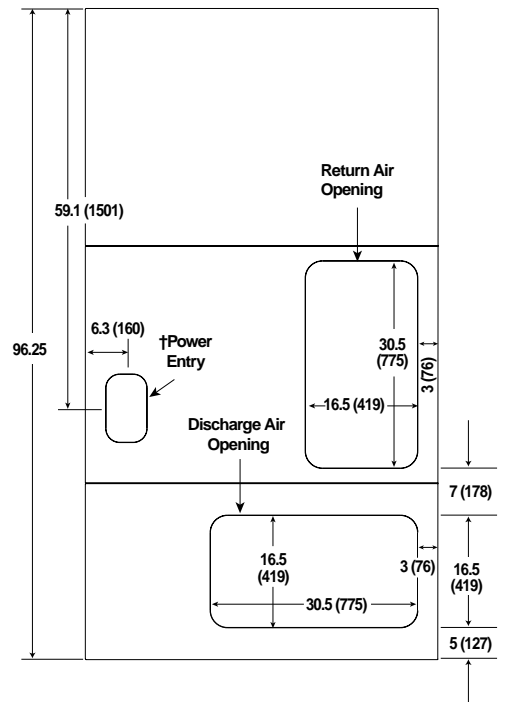
FRONT VIEW



CONDENSER END



REAR VIEW



BOTTOM PAN TOP VIEW

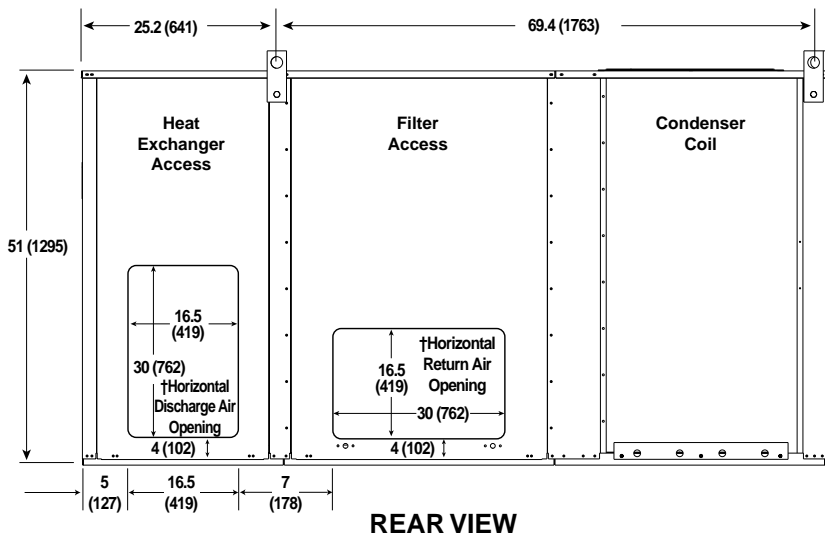
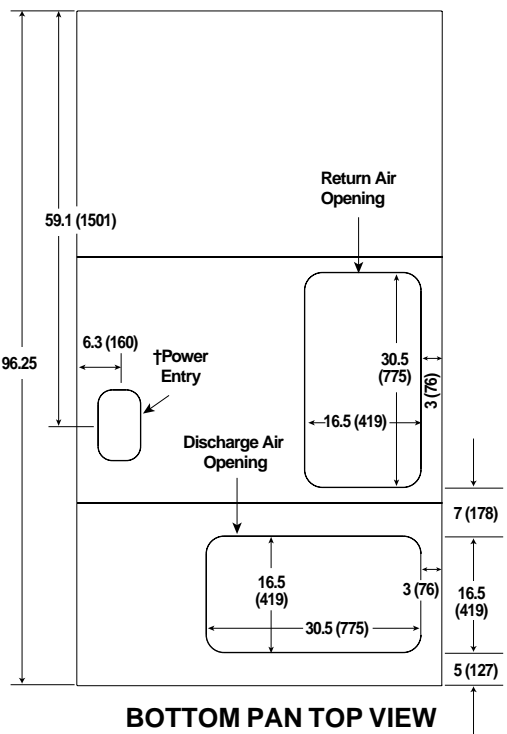
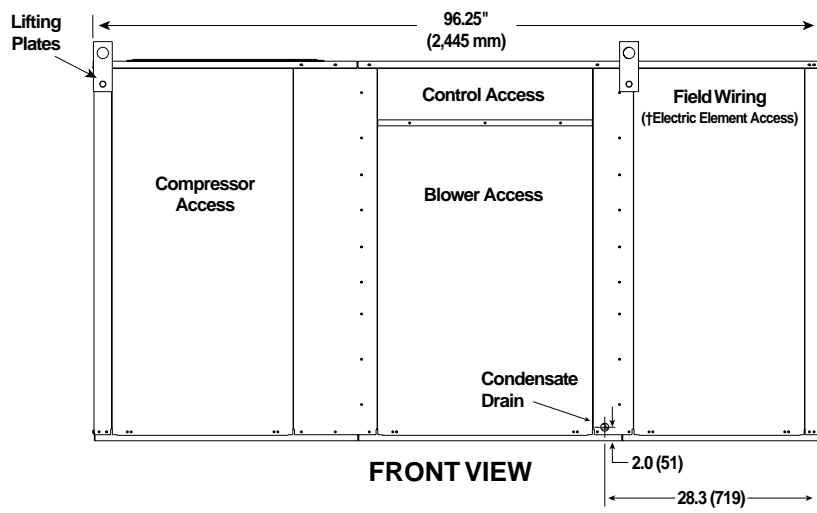
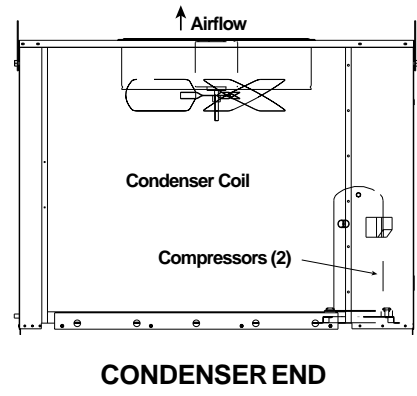
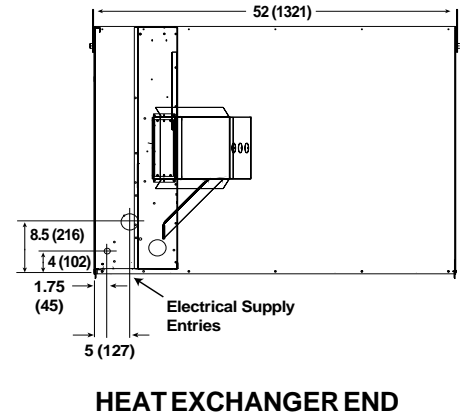
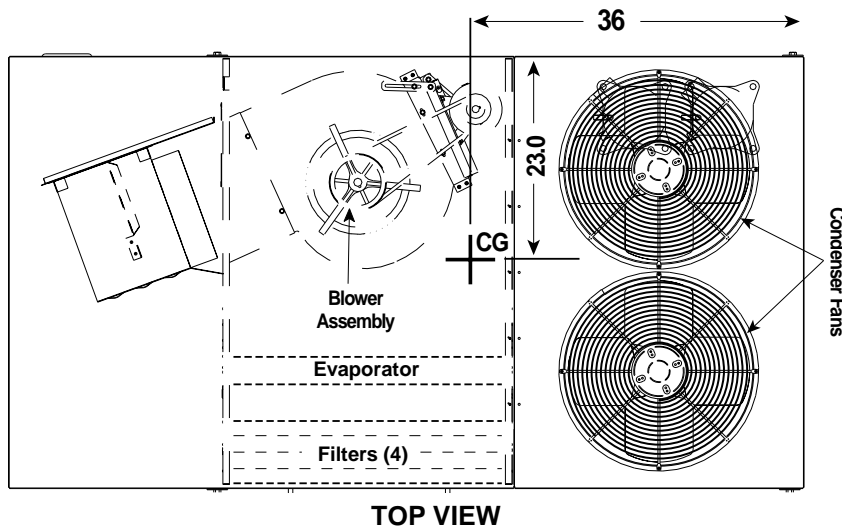
7½ Ton

Model No.	Unit Weight*		Shipping Weight		Center of Gravity Inches (mm)		Height C Inches (mm)
	Lbs.	Kg.	Lbs.	Kg	A	B	
(*P4SM-090C	719	327	1163	527	37 (940)	24 (610)	39 (991)

* Unit weight without packaging or field installed accessories.

† Field Installed Kit

(*)P4SM-120 SERIES – PHYSICAL DATA



10 Ton

Model No.	Unit Weight*		Shipping Weight		Center of Gravity Inches (mm)		Height C Inches (mm)
	Lbs.	Kg.	Lbs.	Kg.	A	B	
(*)P4SM-120C	924	420	1378	626	36 (914)	23 (584)	51 (1295)

* Unit weight without packaging or field installed accessories.

† Field Installed Kit

SPECIFICATIONS AND ELECTRICAL DATA

Model (*)P4SM	090C	090D	120C	120D
Performance				
Capacity-Cooling BTUH (High)	90,000	90,000	120,000	120,000
Capacity-Cooling BTUH (Low)	45,000	45,000	60,000	60,000
Cooling-Efficiency EER	9.00	9.00	9.00	9.00
Electrical Rating - 60 Hz.				
Phase	3	3	3	3
Operating Voltage	187-253	414-506	187-253	414-506
Maximum Rated Ampacity	38.6	19.4	56.1	25.0
Minimum Circuit Ampacity (MCA)	42.2	21.2	61.3	27.2
Max. Overcurrent Protection (MOP)	60	30	90	40
Compressor Data				
	2 ea.	2 ea.	2 ea.	2 ea.
Volts	208/230	460	208/230	460
Rated Load Amps	14.3	7.2	20.7	8.9
Lock Rotor Amps	91	46	128	63
Indoor Blower - Belt Drive				
Wheel Diameter	12 x 12	12 x 12	15 x 15	15 x 15
Motor-HP/RPM	2 / 1725	2 / 1725	3 / 1725	3 / 1725
Motor Amps	6.3	3.1	9.1	4.4
Airflow Range (CFM)	2700 - 3500		3600 - 4400	
Outdoor Fan(s)				
	1 ea.	1 ea.	2 ea.	2 ea.
Motor-HP/RPM	3/4-1060	3/4-1060	1/2 - 1075	1/2 - 1075
Motor Amps	3.7	1.9	2.8	1.4
Fan Diameter/CFM	24" / 5200	24" / 5200	22" / 8600	22" / 8600
Refrigerant Charge - oz.				
Stage 1 Circuit	88	88	136	136
Stage 2 Circuit	88	88	136	136
High Pressure Switch (PSIG)	425 ± 10 Manual Reset		425 ± 10 Manual Reset	
Loss of Charge Switch (PSIG)	Cut Out: 5 ± 5		Cut Out: 5 ± 5	
	Cut In: 20 ± 5		Cut In: 20 ± 5	
Freeze Protection Thermostat	Opens (°F): 28 ± 5		Opens (°F): 28 ± 5	
	Closes (°F): 57 ± 6		Closes (°F): 57 ± 6	
Filters				
Style	Disposable - 2" Pleated		Disposable - 2" Pleated	
Size (Qty.)	16" x 20" x 2" (4)		16" x 25" x 2" (4)	

(*)P4SM-090(-)C COOLING (With One Compressor Operating)

CFM	Entering Dry Bulb	Entering Wet Bulb	Outdoor Air Temperature											
			65°F			75°F			85°F			95°F		
			T.C.	S.C.	kW	T.C.	S.C.	kW	T.C.	S.C.	kW	T.C.	S.C.	kW
3000	75	62	41.7	30.7	4.87	40.2	29.9	5.14	38.6	29.1	5.45	36.9	28.2	5.82
	75	67	45.8	26.0	5.04	44.2	25.3	5.31	42.6	24.5	5.64	40.8	23.7	6.01
	75	72	50.6	20.6	5.26	49.2	20.0	5.55	47.5	19.3	5.90	45.7	18.6	6.28
	80	62	41.9	35.5	4.87	40.4	34.7	5.14	38.8	33.8	5.46	37.1	32.9	5.83
	80	67	45.7	31.0	5.03	44.2	30.3	5.31	42.6	29.5	5.64	40.8	28.7	6.02
	80	72	50.2	25.8	5.25	48.7	25.2	5.53	47.0	24.5	5.87	45.1	23.8	6.25
	85	62	42.3	40.0	4.89	40.9	39.2	5.16	39.3	38.2	5.48	37.8	37.1	5.86
	85	67	45.7	35.6	5.03	44.3	34.9	5.31	42.7	34.1	5.64	40.9	33.2	6.02
3375	75	62	43.7	34.6	5.15	42.1	33.7	5.42	40.4	32.9	5.74	38.6	31.9	6.11
	75	67	47.5	28.5	5.32	46.1	27.8	5.61	44.3	27.1	5.94	42.5	26.2	6.31
	75	72	52.5	21.6	5.57	51.0	21.0	5.87	49.2	20.4	6.22	47.3	19.6	6.62
	80	62	44.1	40.5	5.17	42.6	39.6	5.44	41.0	38.6	5.77	39.2	37.5	6.14
	80	67	47.7	34.6	5.33	46.2	33.9	5.61	44.5	33.1	5.94	42.6	32.2	6.32
	80	72	51.8	28.3	5.53	50.3	27.7	5.83	48.5	27.0	6.17	46.6	26.2	6.57
	85	62	45.0	45.0	5.21	43.8	43.8	5.50	42.4	42.4	5.84	40.9	40.9	6.24
	85	67	48.0	40.7	5.34	46.5	40.0	5.63	44.8	39.1	5.96	43.0	38.2	6.34
3750	75	62	45.2	38.1	5.33	43.6	37.3	5.60	41.8	36.3	5.92	39.9	35.3	6.30
	75	67	48.8	31.0	5.50	47.3	30.3	5.79	45.5	29.5	6.12	43.5	28.7	6.50
	75	72	53.7	22.6	5.76	52.2	22.0	6.06	50.4	21.4	6.41	48.1	20.6	6.81
	80	62	45.9	44.3	5.37	44.6	43.3	5.65	42.4	42.4	5.96	40.8	40.8	6.34
	80	67	49.1	38.2	5.52	47.6	37.5	5.80	45.8	36.7	6.13	44.0	35.8	6.52
	80	72	53.1	30.8	5.72	51.5	30.2	6.02	49.7	29.5	6.37	47.8	28.7	6.77
	85	62	47.8	47.8	5.45	46.6	46.6	5.75	45.1	45.1	6.10	43.6	43.6	6.50
	85	67	49.7	45.3	5.55	48.2	44.5	5.84	46.5	43.5	6.17	44.7	42.4	6.56
	85	72	53.4	38.2	5.74	52.0	37.6	6.05	50.2	36.8	6.39	48.0	36.0	6.80

(*)P4SM-090(-)C COOLING (With Two Compressors Operating)

CFM	Entering Dry Bulb	Entering Wet Bulb	Outdoor Air Temperature											
			85°F			95°F			105°F			115°F		
			T.C.	S.C.	kW	T.C.	S.C.	kW	T.C.	S.C.	kW	T.C.	S.C.	kW
3000	75	62	84.1	64.8	8.69	80.4	63.0	9.40	76.8	61.2	10.18	73.3	59.4	11.07
	75	67	92.1	54.0	9.00	88.6	52.4	9.73	84.8	50.7	10.57	81.0	49.1	11.50
	75	72	102.0	41.6	9.48	98.3	40.2	10.24	94.3	38.7	11.12	90.3	37.2	12.10
	80	62	84.3	75.5	8.70	80.9	73.6	9.41	77.4	71.6	10.21	74.0	69.7	11.11
	80	67	92.1	65.7	9.00	88.4	64.0	9.72	84.7	62.4	10.57	81.0	59.8	11.49
	80	72	100.7	53.7	9.41	96.9	52.2	10.16	93.0	50.7	11.04	89.0	49.1	12.01
	85	62	85.9	84.2	8.76	82.2	82.1	9.47	79.3	79.3	10.29	76.5	76.5	11.24
	85	67	92.2	75.9	9.00	88.6	74.2	9.73	85.0	72.4	10.58	81.3	70.6	11.51
3375	75	62	85.7	68.4	8.95	81.9	66.5	9.67	78.3	64.7	10.45	74.6	62.8	11.35
	75	67	93.6	56.4	9.27	90.0	54.8	10.01	86.1	53.1	10.86	82.2	51.5	11.79
	75	72	103.6	42.6	9.78	99.7	41.1	10.54	95.7	39.6	11.43	91.6	38.1	12.41
	80	62	86.3	79.9	8.97	82.8	77.8	9.70	79.3	75.6	10.50	75.8	73.3	11.42
	80	67	93.6	68.4	9.27	90.0	66.8	10.00	86.2	65.1	10.86	82.3	63.3	11.79
	80	72	102.2	56.1	9.71	98.4	54.6	10.46	94.4	53.1	11.35	90.4	51.5	12.32
	85	62	88.1	88.1	9.04	85.2	85.2	9.80	82.3	82.3	10.66	79.3	79.3	11.61
	85	67	94.1	80.6	9.29	90.5	78.8	10.03	86.7	76.9	10.88	83.0	75.0	11.83
3750	75	62	87.3	71.9	9.12	83.4	70.0	9.83	79.6	68.0	10.65	75.9	66.1	11.54
	75	67	95.1	58.9	9.47	91.3	57.3	10.19	87.4	55.6	11.04	83.4	53.9	11.98
	75	72	105.0	43.6	9.97	101.1	42.2	10.74	96.9	40.7	11.63	92.7	39.1	12.61
	80	62	88.5	84.0	9.17	84.7	81.4	9.89	81.4	78.9	10.73	76.9	76.8	11.60
	80	67	95.4	72.1	9.49	91.5	70.4	10.20	87.6	68.6	11.05	83.6	66.8	11.99
	80	72	103.7	58.6	9.90	99.8	57.1	10.67	95.7	55.5	11.55	91.5	53.9	12.53
	85	62	91.1	91.1	9.28	88.1	88.1	10.03	85.0	85.0	10.92	81.9	81.9	11.89
	85	67	96.0	85.1	9.51	92.2	83.2	10.24	88.4	81.2	11.08	84.6	79.1	12.06
	85	72	103.8	73.3	9.91	100.1	70.3	10.68	96.3	68.8	11.59	92.0	67.1	12.57

T.C.- Total net cooling capacity (mbtuh). S.C.- Sensible cooling capacity (mbtuh).

(*)P4SM-0120(-)C COOLING (With One Compressor Operating)

CFM	Entering Dry Bulb	Entering Wet Bulb	Outdoor Air Temperature											
			65°F			75°F			85°F			95°F		
			T.C.	S.C.	kW	T.C.	S.C.	kW	T.C.	S.C.	kW	T.C.	S.C.	kW
3750	75	62	55.1	40.3	6.34	53.2	39.4	6.66	51.2	38.3	7.04	48.8	36.8	7.47
	75	67	60.7	33.9	6.56	59.0	33.2	6.85	56.9	32.2	7.21	54.6	31.2	7.63
	75	72	66.6	27.1	6.82	65.1	26.4	7.10	63.1	25.6	7.45	60.7	24.6	7.86
	80	62	54.9	46.1	6.34	53.2	45.2	6.66	51.2	44.1	7.04	49.0	42.8	7.47
	80	67	60.4	40.4	6.55	58.8	39.6	6.84	56.8	38.6	7.20	54.3	37.5	7.63
	80	72	66.4	33.7	6.80	64.8	33.1	7.09	62.8	32.2	7.43	60.4	31.3	7.85
	85	62	55.3	51.9	6.35	53.6	51.0	6.67	51.7	49.8	7.05	49.6	48.4	7.49
	85	67	60.3	46.3	6.54	58.6	45.5	6.84	56.6	44.4	7.20	54.3	43.3	7.62
	85	72	66.0	40.2	6.79	64.3	39.5	7.07	62.4	38.7	7.42	60.1	37.7	7.83
4250	75	62	58.2	45.8	6.66	56.5	44.9	6.96	54.3	43.8	7.32	51.8	42.5	7.75
	75	67	63.6	37.8	6.89	61.9	37.1	7.17	59.8	36.1	7.52	57.3	35.0	7.93
	75	72	69.9	28.7	7.17	68.3	28.0	7.46	66.1	27.2	7.80	63.7	26.3	8.20
	80	62	58.7	53.6	6.68	56.9	52.6	6.98	54.8	51.4	7.34	52.5	50.0	7.77
	80	67	63.8	45.8	6.90	62.0	45.1	7.18	59.9	44.1	7.52	57.5	43.0	7.94
	80	72	69.4	37.5	7.15	67.6	36.9	7.43	65.4	36.0	7.76	63.0	35.0	8.17
	85	62	59.7	59.7	6.72	58.4	58.4	7.03	56.6	56.6	7.40	54.7	54.7	7.84
	85	67	63.7	53.8	6.89	62.2	53.0	7.18	60.1	52.0	7.53	57.7	50.8	7.94
	85	72	69.4	46.1	7.15	67.6	45.4	7.43	65.5	44.0	7.77	63.1	43.0	8.17
4750	75	62	60.5	51.0	6.87	58.9	50.2	7.16	56.5	49.0	7.51	54.0	47.7	7.92
	75	67	65.7	41.4	7.10	63.9	40.7	7.38	61.8	39.7	7.71	59.2	38.6	8.12
	75	72	71.9	30.1	7.38	70.2	29.5	7.67	68.0	28.7	8.01	65.5	27.8	8.41
	80	62	61.5	59.6	6.92	59.9	58.4	7.20	57.3	57.2	7.54	55.2	55.2	7.97
	80	67	66.0	51.1	7.11	64.2	50.4	7.39	62.1	49.4	7.72	59.6	48.2	8.13
	80	72	71.3	41.1	7.35	69.5	40.4	7.64	67.4	39.6	7.97	64.8	38.6	8.38
	85	62	64.0	64.0	7.02	62.7	62.7	7.32	60.9	60.9	7.67	58.8	58.8	8.10
	85	67	66.5	60.6	7.13	64.8	59.7	7.41	62.7	58.6	7.75	60.3	57.2	8.16
	85	72	71.6	51.0	7.37	69.8	50.2	7.65	67.6	49.3	7.99	65.1	48.3	8.39

(*)P4SM-0120(-)C COOLING (With Two Compressors Operating)

CFM	Entering Dry Bulb	Entering Wet Bulb	Outdoor Air Temperature											
			85°F			95°F			105°F			115°F		
			T.C.	S.C.	kW	T.C.	S.C.	kW	T.C.	S.C.	kW	T.C.	S.C.	kW
3750	75	62	111.8	89.0	11.84	106.6	86.4	12.69	101.8	84.0	13.68	96.9	81.6	14.83
	75	67	123.2	73.3	12.21	117.9	71.0	13.06	112.4	68.7	14.03	107.1	66.4	15.22
	75	72	135.7	55.6	12.71	130.5	53.5	13.55	124.8	51.4	14.56	119.2	49.3	15.74
	80	62	112.6	104.4	11.86	107.6	101.7	12.72	102.9	99.0	13.72	98.4	96.2	14.90
	80	67	123.0	89.2	12.20	117.7	86.8	13.05	112.3	84.4	14.03	107.0	82.1	15.21
	80	72	135.0	72.9	12.68	129.6	70.8	13.52	123.9	68.7	14.51	118.1	66.5	15.70
	85	62	115.7	115.7	11.96	111.6	111.6	12.85	107.5	107.5	13.87	103.5	103.5	15.08
	85	67	123.4	105.0	12.22	118.2	102.6	13.07	112.9	100.1	14.05	107.8	97.7	15.22
	85	72	134.9	89.7	12.67	129.5	86.8	13.51	123.9	84.6	14.52	118.3	82.4	15.74
4250	75	62	114.3	94.7	12.11	108.9	92.1	12.96	103.6	89.5	13.94	98.6	86.9	15.11
	75	67	125.5	77.2	12.50	120.1	74.9	13.34	114.4	72.5	14.33	108.9	70.2	15.48
	75	72	137.9	57.1	13.03	132.6	55.1	13.86	126.8	53.0	14.86	121.0	50.9	16.04
	80	62	115.7	111.3	12.16	110.7	108.1	13.02	105.3	105.1	14.02	101.0	101.0	15.21
	80	67	125.2	94.8	12.49	120.0	92.5	13.34	114.5	90.1	14.33	109.0	87.7	15.48
	80	72	137.0	76.7	12.98	131.7	74.6	13.82	125.8	72.4	14.82	120.0	70.2	16.00
	85	62	120.7	120.7	12.32	116.4	116.4	13.21	112.1	112.1	14.22	107.8	107.8	15.43
	85	67	126.3	112.6	12.53	121.0	110.0	13.37	115.6	107.3	14.38	110.4	104.6	15.54
	85	72	137.3	94.6	12.99	131.9	92.5	13.83	126.2	90.3	14.83	120.4	88.0	16.02
4750	75	62	116.5	100.3	12.29	111.0	97.6	13.14	105.6	94.8	14.12	100.5	92.1	15.30
	75	67	127.5	81.0	12.69	122.0	78.7	13.52	116.2	76.3	14.52	110.5	74.0	15.66
	75	72	139.9	58.7	13.23	134.4	56.7	14.06	128.6	54.5	15.06	122.6	52.4	16.24
	80	62	117.7	117.5	12.36	113.4	113.4	13.21	108.9	108.9	14.23	104.5	104.5	15.43
	80	67	127.5	100.5	12.69	122.2	98.2	13.53	116.5	95.7	14.52	110.9	93.2	15.68
	80	72	139.0	80.5	13.19	133.5	78.4	14.02	127.6	76.2	15.02	121.8	74.0	16.20
	85	62	125.1	125.1	12.60	120.7	120.7	13.48	116.2	116.2	14.51	111.7	111.7	15.71
	85	67	129.0	119.6	12.75	123.7	116.8	13.59	118.3	113.8	14.60	113.1	110.4	15.78
	85	72	139.2	100.3	13.21	134.0	98.2	14.04	128.1	95.9	15.04	122.3	93.6	16.22

T.C.- Total net cooling capacity (mbtuh). S.C.- Sensible cooling capacity (mbtuh).

(*)P4SM-090 Series Fan Performance

Vertical Discharge

Air Volume (CFM)	External Static Pressure (Inches Water Column)							
	0.2	0.4	0.5	0.6	0.7	0.8	0.9	1.0
	BHP RPM (KW)	BHP RPM (KW)	BHP RPM (KW)	BHP RPM (KW)	BHP RPM (KW)	BHP RPM (KW)	BHP RPM (KW)	BHP RPM (KW)
2600			788	812	842	895	944	988
			0.91	0.95	1.00	1.08	1.17	1.26
2800		756	816	845	875	912	950	991
		1.03	0.94	1.02	1.06	1.10	1.18	1.27
3000	730	785	840	865	895	945	989	
	1.07	1.18	1.29	1.34	1.38	1.49	1.58	
3200	752	810	868	900	924	980	1030	
	1.17	1.31	1.44	1.49	1.56	1.68	1.77	
3400	808	864	910	932	955	1010		
	1.40	1.51	1.63	1.68	1.74	1.86		
3600	863	910	942	965	982			
	1.27	1.37	1.48	1.53	1.58	1.69		
	1.63	1.71	1.80	1.86	1.90			
	1.48	1.56	1.64	1.69	1.73			

Horizontal Discharge

Air Volume (CFM)	External Static Pressure (Inches Water Column)							
	0.2	0.4	0.5	0.6	0.7	0.8	0.9	1.0
	BHP RPM (KW)	BHP RPM (KW)	BHP RPM (KW)	BHP RPM (KW)	BHP RPM (KW)	BHP RPM (KW)	BHP RPM (KW)	BHP RPM (KW)
2600			758	785	815	850	905	940
			0.96	0.99	1.01	1.03	1.06	1.10
2800		725	780	810	840	880	920	955
		0.99	0.90	0.94	0.96	0.97	1.02	1.10
3000	700	755	805	830	860	905	940	970
	1.01	1.07	1.10	1.12	1.19	1.29	1.37	1.46
3200	720	780	830	865	895	925	955	987
	1.10	1.12	1.21	1.25	1.35	1.49	1.58	1.65
3400	752	820	855	880	910	950	985	
	1.26	1.34	1.42	1.52	1.62	1.70	1.78	
3600	810	875	905	935	960	982		
	1.15	1.22	1.29	1.38	1.47	1.55	1.62	
	1.43	1.56	1.65	1.74	1.82	1.93		
	1.30	1.42	1.50	1.58	1.66	1.76		

Notes:

1. BHP - Brake Horsepower Input to Fan
2. Boldface indicates factory recommended blower operating range.
3. Values include losses for air filters, unit casing, and dry evaporator coil.
See Accessory Performance Data table for additional static pressure information.

(*)P4SM-120 Series Fan Performance

Vertical Discharge

Air Volume (CFM)	External Static Pressure (Inches Water Column)														
	0.2	0.4	0.5	0.6	0.7	0.8	0.9	1.0							
	BHP RPM (KW)	BHP RPM (KW)	BHP RPM (KW)	BHP RPM (KW)	BHP RPM (KW)	BHP RPM (KW)	BHP RPM (KW)	BHP RPM (KW)							
3600				752	1.56	780	1.63	810	1.69	835	1.76				
					1.42		1.48		1.54		1.60				
3800			751	1.63	778	1.69	805	1.78	830	1.89	855	1.99	2.09		
				1.48		1.54		1.62		1.72		1.81	1.90		
4000		749	1.76	777	1.80	805	1.88	829	1.93	854	2.07	879	2.21	2.33	
			1.60		1.64		1.71		1.76		1.88		2.01	2.12	
4200	720	1.71	773	1.92	800	1.98	827	2.04	850	2.18	875	2.32	900	2.41	2.50
		1.56		1.75		1.80		1.86		1.98		2.11		2.19	2.27
4400	745	1.87	798	2.08	825	2.17	850	2.31	874	2.45	900	2.53	924	2.63	2.59
		1.70		1.89		1.97		2.10		2.23		2.30		2.39	2.36
4600	767	2.03	824	2.23	848	2.42	872	2.57	898	2.66	923	2.75	950	2.86	
		1.85		2.03		2.20		2.34		2.42		2.50		2.60	
4800	790	2.23	846	2.53	870	2.68	896	2.79	922	2.89	950	2.99			
		2.03		2.30		2.44		2.54		2.63		2.72			

Horizontal Discharge

Air Volume (CFM)	External Static Pressure (Inches Water Column)														
	0.2	0.4	0.5	0.6	0.7	0.8	0.9	1.0							
	BHP RPM (KW)	BHP RPM (KW)	BHP RPM (KW)	BHP RPM (KW)	BHP RPM (KW)	BHP RPM (KW)	BHP RPM (KW)	BHP RPM (KW)							
3600				735	1.48	760	1.59	783	1.67	805	1.76				
					1.35		1.45		1.52		1.60				
3800			740	1.54	759	1.65	782	1.75	805	1.82	830	1.91	2.02		
				1.40		1.50		1.59		1.66		1.74	1.84		
4000			760	1.73	781	1.81	805	1.89	829	1.96	854	2.09	879	2.21	
				1.57		1.65		1.72		1.78		1.90	2.01		
4200		758	1.81	779	1.89	803	1.98	827	2.07	850	2.20	877	2.34	2.41	
			1.65		1.72		1.80		1.88		2.00		2.13	2.19	
4400		776	1.99	800	2.07	825	2.13	850	2.30	876	2.46	900	2.54	2.62	
			1.81		1.88		1.94		2.09		2.24		2.31	2.38	
4600	774	2.10	799	2.17	823	2.23	848	2.37	874	2.52	898	2.65	921	2.75	
		1.91		1.97		2.03		2.16		2.29		2.41		2.50	
4800	773	2.18	822	2.34	850	2.50	872	2.65	895	2.77	919	2.88			
		1.98		2.13		2.27		2.41		2.52		2.62			

Notes:

1. BHP - Brake Horsepower Input to Fan
2. Boldface indicates factory recommended blower operating range.
3. Values include losses for air filters, unit casing, and dry evaporator coil.
See Accessory Performance Data table for additional static pressure information.

Accessory Performance Data

Model No.	Air Volume (CFM)	Total Resistance (inches water column)								
		Wet Evaporator Coil	Downflow Economizer	Horizontal Economizer	Step Down Diffuser System				Flush Mount Diffuser System	Throw Feet
					2 Ends Open	2 Ends Open w/1 Side Open	2 Ends Open w/2 Sides Open	Throw Feet		
P4SM-090	2600	0.12	0.30	0.04	0.20	0.20	0.15	24-29	0.17	19-24
	2800	0.14	0.35	0.04	0.25	0.25	0.20	25-30	0.20	20-28
	3000	0.16	0.40	0.04	0.30	0.30	0.25	27-33	0.25	21-29
	3200	0.18	0.45	0.05	0.40	0.38	0.30	28-35	0.31	22-29
	<i>3400</i>	<i>0.20</i>	<i>0.50</i>	<i>0.05</i>	<i>0.50</i>	<i>0.46</i>	<i>0.40</i>	<i>30-37</i>	<i>0.37</i>	<i>22-30</i>
	3600	0.22	0.55	0.05	0.60	0.55	0.50	32-39	0.43	23-31

Model No.	Air Volume (CFM)	Total Resistance (inches water column)								
		Wet Evaporator Coil	Down Flow Economizer	Horizontal Economizer	Step Down Diffuser System				Flush Mount Diffuser System	Throw Feet
					2 Ends Open	2 Ends Open w/1 Side Open	2 Ends Open w/2 Sides Open	Throw Feet		
P4SM-120	3600	0.12	0.20	0.04	0.35	0.25	0.20	25-33	0.17	22-29
	3800	0.13	0.22	0.04	0.40	0.30	0.25	27-35	0.18	22-30
	4000	0.14	0.24	0.04	0.45	0.35	0.30	29-37	0.21	24-33
	<i>4200</i>	<i>0.16</i>	<i>0.27</i>	<i>0.05</i>	<i>0.50</i>	<i>0.40</i>	<i>0.35</i>	<i>32-40</i>	<i>0.24</i>	<i>26-35</i>
	4400	0.18	0.30	0.05	0.55	0.45	0.40	34-42	0.27	28-37
	4600	0.20	0.33	0.05	0.60	0.50	0.45	36-44	0.30	30-39

Bold italicized numbers indicate factory blower setting.

* The distance the air from the grille travels from the diffuser before it slows down to 50 ft. per minute. All sides open.

ACCESSORIES

NORDYNE		P4SM-090	P4SM-120
Part #	Description		
547860	Hinged Roof Curb 8" High - K/D	X	X
547861	Hinged Roof Curb 14" High - K/D	X	X
547862	Hinged Roof Curb 18" High - K/D	X	X
547863	Hinged Roof Curb 24" High - K/D	X	X
547864	0-35% Manual Outside Air Damper	X	
547865	0-35% Motorized Damper - Only	X	X
547866	Economizer - Modulating w/ Relief, Adapts Horizontal	X	
547883	Economizer - 3 Position w/ Relief, Adapts Horizontal	X	
547884	Economizer - 3 Position w/ Relief, Adapts Horizontal		X
547875	Economizer - Modulating w/ Relief, Adapts Horizontal		X
547869	20" Supply & Return Transition Round	X	
547870	20" Flush Mount Concentric Diffuser Round	X	
547871	20" Step Down Concentric Diffuser Round	X	
547872	Horizontal Supply & Return Kit	X	
547873	Hooded Hail Guard	X	
547848	CO2 Sensor - 4-9v dc	X	X
547874	0-35% Manual Outside Air Damper		X
547878	18" x 28" Supply & Return Transition		X
547879	18" x 28" Flush Mount Concentric Diffuser		X
547880	18" x 28" Step Down Concentric Diffuser		X
547881	Horizontal Supply & Return Kit		X
547882	Hooded Hail Guard		X
917159	Thermostat-2 stage Heat/Cool	X	X
917163	Low Ambient Kit	X	X
917454	Bottom Power Entry Kit	X	X
917423	H5HK009Q-01 9KW, 208/240V, 3Ø	X	X
917424	H5HK018Q-11 18KW, 208/240V, 3Ø	X	X
917425	H5HK035Q-22 35KW, 208/240V, 3Ø	X	X
917426	H5HK018S-01 18KW, 480V, 3Ø	X	X
917427	H5HK035S-01 35KW, 480V, 3Ø	X	X



St. Louis, MO

NORDYNE

902A-1200 (Replaces 902A-0800)

Before purchasing this appliance, read important energy cost and efficiency information available from your retailer. Specifications and illustrations subject to change without notice and without incurring obligations. Printed in U.S.A.