

TECHNICAL SPECIFICATIONS

GSH3ME Series

**Up to 14.3 SEER2, 7.5 HSPF2
Manufactured Housing System
High Efficiency Heat Pump**

2 – 4 Ton Capacity

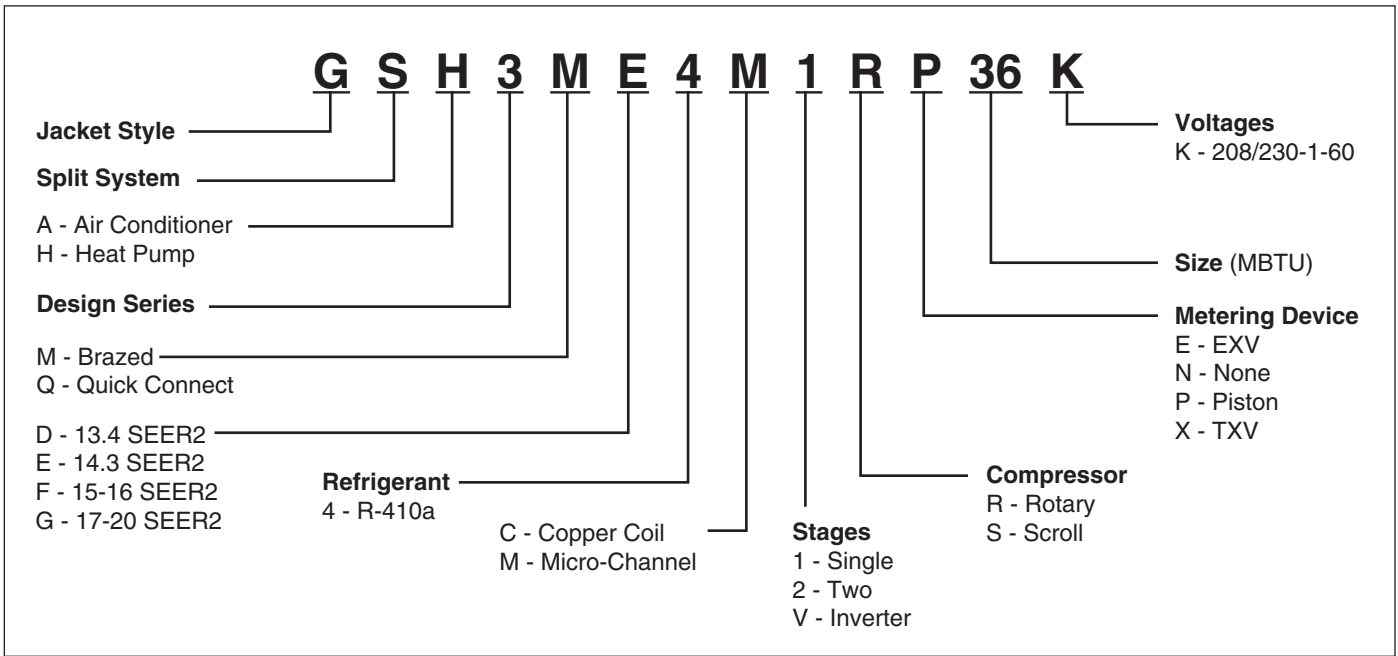
The GSH3(M,Q)E Series heat pump, when combined with our engineered coils or air handlers, offers a full line of quality, split system heating and cooling equipment. Units are ideally sized for slab or cantilever bracket installation.



FEATURES and BENEFITS

- **Models Offer Full Service Valves:** These brass valves are easily accessible and simplify servicing of the refrigeration system. Charged with refrigerant for 20 feet of lineset.
- **Patented Hot Gas Bypass Defrost** – Ensures that outdoor coil defrosts every time and only when necessary.
- **Designed Using Galvanized Steel:** A powder-coated paint that eliminates sharp edges and reduces corrosion, fading, chipping and scratching. It passes 950 hours of salt spray per ASTM Std. B117.
- **Composite Base Pan** – Absorbs sound and is corrosion resistant. Composite is also stronger and lighter than steel.
- **Designed for Manufacturing Housing** – The outdoor thermostat required by HUD is factory installed.
- **Removable Top Grille Assembly** – Allows ease of service from the top without disconnecting fan motor leads.
- **Suction Accumulator and Crankcase Heater** – Protection from liquid flood back and future compressor failures.
- **Hot Gas Muffler** – Reduces compressor noise and vibration.
- **Low Pressure Switch** – Loss of charge protection ensures long compressor life. Auto-reset feature prevents nuisance service visits.
- **High Pressure Switch** – Protects against abnormally high system pressures. Auto-reset feature prevents nuisance service visits.
- **Liquid Line Filter Drier** – Included with unit and field installed.
- **One-Piece Top/Orifice** – Designed for maximum airflow and quiet operation.
- **Easy Compressor and Control Access** – Designed to make servicing easier for the contractor, access panels are provided to all controls and the compressor from the side of the unit.
- **All-Aluminum Coils** – Aluminum coils in all models which provides high corrosion resistance.
- **Powder Coated Wire Guard and Mesh Hail Guard** – Will never rust and protects the coil from being damaged.
- **Common Suction Service Port** – This port allows the contractor to read the suction pressure in all modes of operation without removing any panels, saving time and increasing serviceability.
- **Five Minute Restart Time Delay** – When the unit shuts down, a five minute delay keeps the unit from restarting, eliminating the highest cause for compressor failure.

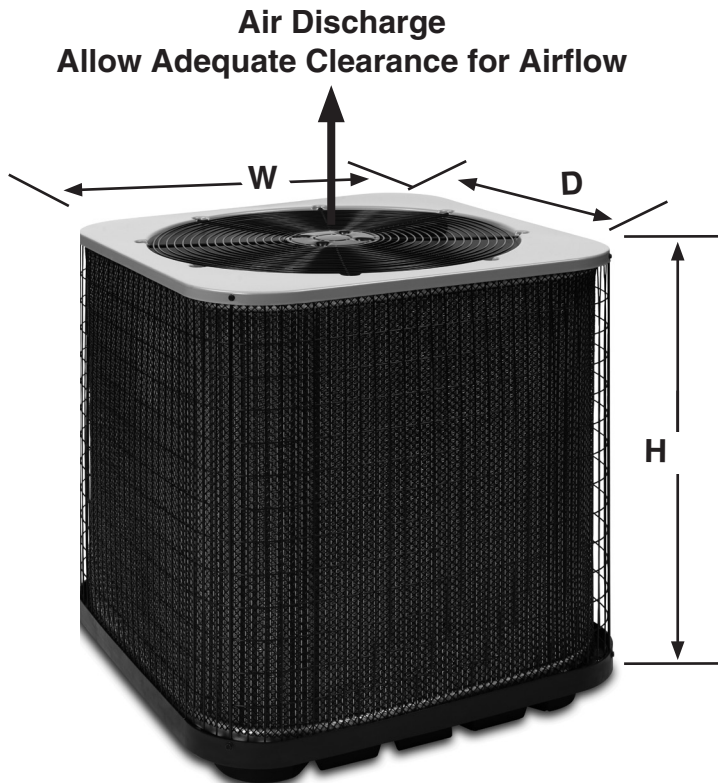
MODEL IDENTIFICATION CODES



DIMENSIONS

HEAT PUMP OUTDOOR SECTION

GSH3ME	24K	30K	36K	42K	48K
H	35.00	39.00	39.00	39.00	39.00
W	30.75	30.75	30.75	30.75	30.75
D	30.75	30.75	30.75	30.75	30.75



PHYSICAL AND ELECTRICAL SPECIFICATIONS / OUTDOOR UNITS

14.3 SEER2 — High Efficiency — Single Phase

Model Number GSH3ME		1RP24K	1RP30K	1SP36K	1SP42K	1SP48K
Electrical Data	Volts-Cycles-Phase (1)	208/230 Volts Single Phase				
	Delay Fuse Max. (2)	20	25	30	40	40
	Min. Circuit Ampacity	12.4	15.0	18.7	23.6	26.3
	Fan Motor	HP	1/8	1/8	1/5	1/4
Refrigerant suction line O.D. NOTE: Liquid line is 3/8" O.D. for entire length.	0-24 ft.	3/4"	3/4"	3/4"	7/8"	7/8"
	25-39 ft.	3/4"	3/4"	7/8" (3)	7/8"	7/8"
	40-75 ft.	3/4"	3/4"	7/8" (3)	7/8"	7/8"
Approximate Shipping Weight (lbs.)		125	165	169	201	218
Sound Rating dBA		75	75	75	79	79

(1) Operating Voltage Range: 187v min. - 253v max.

(2) HACR Type Circuit Breakers may be used.

(3) Requires 7/8" to 3/4" reducer from line to unit.

(4) Requires 7/8" to 1-1/8" reducer from line to unit.

ACCESSORIES - Condensing Unit

Start Assist Kit - 912933

Provides additional starting torque for the compressor motor when operating with low line voltage or high operating temperatures.

SYSTEM HEATING AND COOLING CAPACITIES

14.3 SEER2 — High Efficiency — Single Phase

Outdoor Unit	Indoor Unit	SEER2	EER2	Capacity @ 95° F	Capacity @ 47° F	Capacity @ 17° F	HSPF2	CFM
GSH3ME4M1RP24K	C84DAMX24U-B	14.3	11.8	23,400	23,400	14,000	7.5	840
GSH3ME4M1RP30K	C84DAMX30U-B	14.3	11.8	30,000	30,000	18,000	7.5	980
GSH3ME4M1SP36K	C84DAMX36U-B	14.3	11.8	34,000	35,400	22,200	7.5	1250
GSH3ME4M1SP42K	C84DAMX43U-B	14.3	11.8	39,000	41,000	25,000	7.5	1225
GSH3ME4M1SP48K	C84DAMX49U-B + E7E*-0XXH2 + 4T blower kit	14.3	11.8	44,500	46,500	28,000	7.5	1550

All ratings are with time delay relay.

See current AHRI Directory for certified combinations and ratings.

www.ahridirectory.org



GENERAL TERMS OF LIMITED WARRANTY

Nortek Global HVAC, LLC will furnish a replacement for any part of this product which fails in normal use and service within the terms and conditions of the warranty.

For complete details of the Limited Warranty, including applicable terms and conditions, see your local installer or contact the Nortek Global HVAC, LLC warranty department for a copy.

Before purchasing this appliance, read important energy cost and efficiency information available from your retailer. Specifications and illustrations subject to change without notice and without incurring obligations. Printed in U.S.A (02/2023)