

TECHNICAL SPECIFICATIONS

Q104SD Series

Single Packaged Heat Pump, Single Phase

13.4 SEER2, 6.7 HSPF2

2 - 5 Ton Units

Cooling: 23,000 to 56,500 Btuh

Heating: 22,800 to 57,000 Btuh

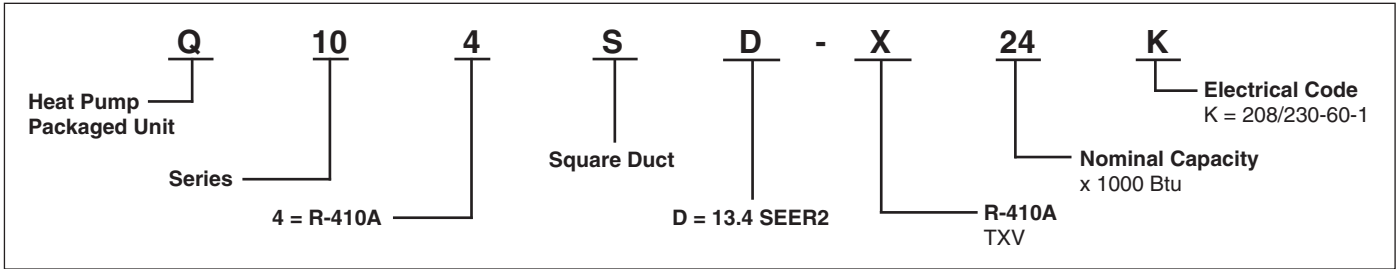
The Q104SD Series single packaged heat pumps are high efficiency self contained cooling and heating units that can be installed on a roof or on a slab. The convertible unit design makes installations simple in all applications. Units are ETL and ETLc listed.



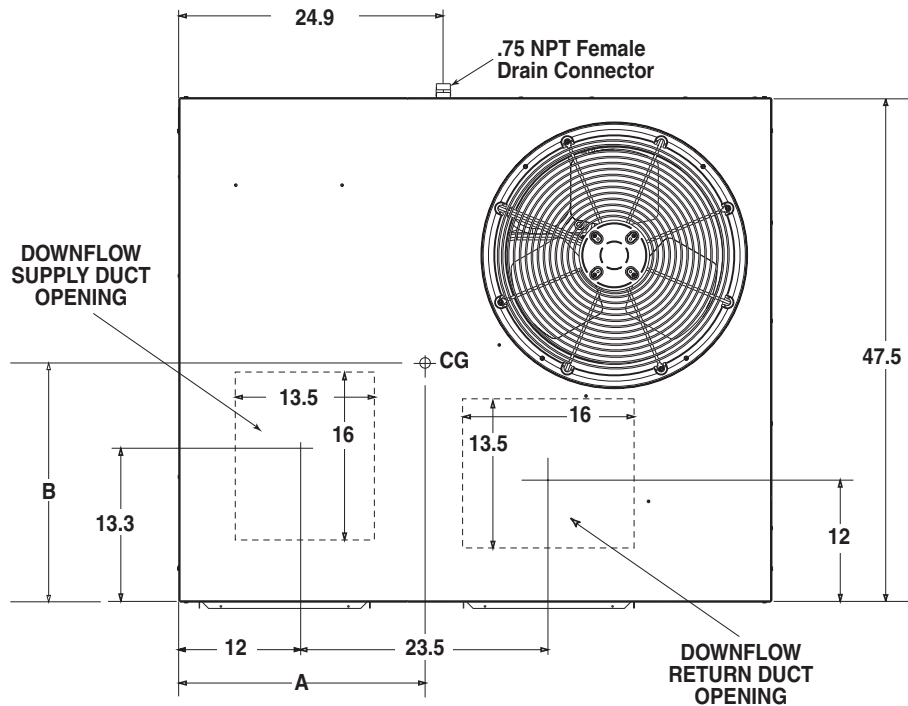
FEATURES and BENEFITS

- **Energy Efficient:** R-410A Refrigerant
- **Copeland Compressor:** State of the art scroll compressor is standard equipment.
- **Quiet Operation and Low Vibration:** Swept-wing fan blade, on select models, combined with custom Venturi condenser fan.
- **Wire guard coated with Earth Friendly Epoxy and plastic mesh hail guard:** A guard that will never rust and protects the units coil from being damaged.
- **Copper Tube / Aluminum Fin Coils:** Both indoor and outdoor coils are designed to optimize heat transfer, minimize size and cost, and increase durability and reliability.
- **Designed using Galvanized Steel:** with a polyester urethane coat finish. The 950 hour salt spray finish is 1.5 mil thick and resists corrosion 50% better than comparable units.
- **Permanently Lubricated Condenser Motor:** A heavy duty PSC motor for long lasting reliability and quiet operation. Requires no maintenance and is completely protected from rain and snow.
- **Thermostatic Expansion Valves:** Factory installed externally equalized thermostatic expansion valves provides precise refrigerant control under varying load conditions.
- **Hi and Low Pressure Switches:** Ensure long compressor life.
- **Externally Accessible Service Ports:** Quick access to refrigeration system.
- **Liquid Line Filter Drier:** Factory installed at a convenient location for service.
- **Suction Accumulator:** Protection from liquid flood back and future compressor failures.
- **Low voltage Transformer:** Includes 3 Amp fuse to protect low voltage circuit.
- **Corrosion-Resistant Drain Pan:** Quickly drains away evaporator condensate.
- **Energy Efficient:** Brushless DC (ECM) Blower Motor.
- **Demand Defrost Standard:** Provides additional energy savings in heating by defrosting only when necessary.
- **Five Minute Restart Time Delay:** When the unit shuts down, a 5 minute delay keeps the unit from restarting, eliminating the highest cause for compressor failure.
- **Heavy-Gauge, Full Perimeter Base Rails:** Facilitates forklift handling and curb mounting.
- **Convertible Air Delivery:** Horizontal or downflow to accommodate rooftop or horizontal applications.
- **Easy Compressor and Control Access:** Designed to make servicing easier for the contractor, access panels are provided to all controls and the compressor from the side of the unit.
- **Easy access:** to the evaporator coil for cleaning and general maintenance.
- **Removable Top Grille Assembly:** Allows ease of service to the fan motor.
- **Duct Flanges:** reduce installation costs.
- **Optional Electric Heat:** Field installed 5 – 20 KW.
- **Proven, Industry Standard Components:** Easier service and availability.

MODEL IDENTIFICATION CODE



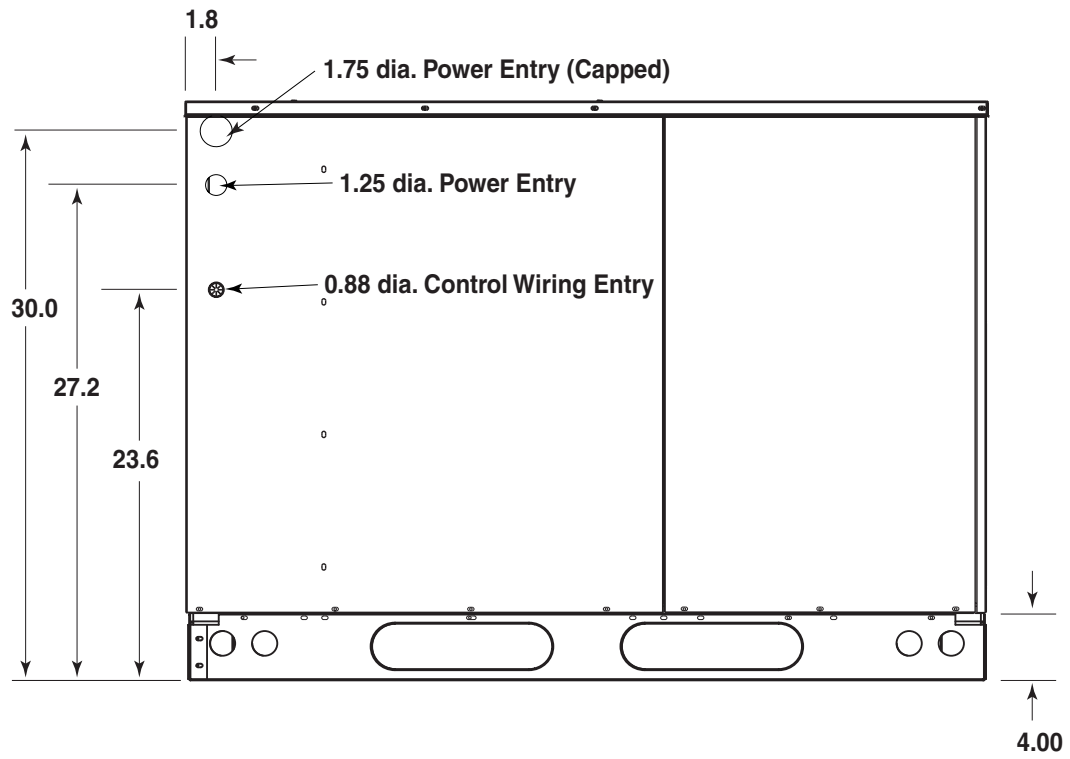
DIMENSIONS (in inches)



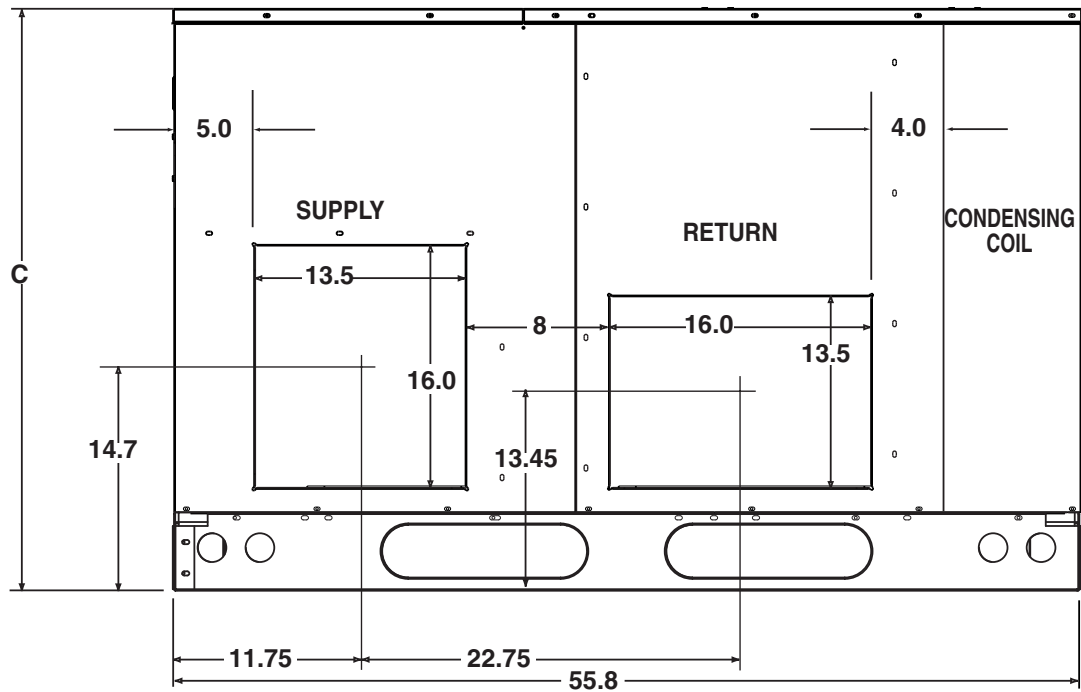
Top View

Model Number Q104SD-	Unit Weight	Shipping Weight (lbs)	Center of Gravity		Unit Dimensions (inches)			
			A	B	Height with base rails	Height without base rails	Length	Width
X24K	397	410	28.0	25.5	39.0	35.3	55.8	47.5
X30K	397	410	28.0	25.5	39.0	35.3	55.8	47.5
X36K	429	442	28.0	25.5	39.0	35.3	55.8	47.5
X42K	494	507	29.5	26.00	43.0	39.3	55.8	47.5
X48K	509	522	29.5	26.00	43.0	39.3	55.8	47.5
X60K	517	530	29.5	26.00	43.0	39.3	55.8	47.5

DIMENSIONS (Continued)



Side View



Back (Duct) View

SPECIFICATIONS

Model Number	Q104SD-					
	X24K	X30K	X36K	X42K	X48K	X60K
Performance						
Capacity-Heating BTUH ¹	22,000	29,000	34,000	41,500	47,000	57,000
Efficiency - HSPF2	6.7	6.7	6.7	6.7	6.7	6.7
Capacity-Cooling BTUH ¹	23,400	29,800	34,600	41,500	47,500	56,500
Efficiency - SEER2	13.4	13.4	13.4	13.4	13.4	13.4
EER2 (Btuh/watt) ²	11.0	11.0	11.0	11.0	11.0	11.0
Electric Rating - 60 Hz						
Phase	1	1	1	1	1	1
Operating Voltage Range	187-253	187-253	187-253	187-253	187-253	187-253
Min. Circuit Ampacity (MCA)	19.2	22.4	27.4	30.1	34.1	38.9
Max. Over-current Protection (MOP) (Single Circuit - No Electric Heat)	30	35	45	50	50	60
Total Unit - Amps	16.3	18.9	23.0	25.2	28.7	32.5
Compressor Data						
Volts	208-230	208-230	208-230	208-230	208-230	208-230
Rated Load Amps	11.5	14.1	17.7	19.9	21.8	25.6
Lock Rotor Amps	59.5	87.4	110	109	117	150
Indoor Blower						
Type	Fixed Torque	Fixed Torque	Fixed Torque	Fixed Torque	Fixed Torque	Fixed Torque
Motor HP	1/2	1/2	1/2	1/2	3/4	3/4
Motor - Amps	3.8	3.8	3.8	3.8	5.4	5.4
Outdoor Fan						
Motor - HP / RPM	1/5 - 825	1/5 - 825	1/4 - 1100	1/4 - 1100	1/4 - 1100	1/4 - 1100
Motor - Amps	1.0	1.0	1.46	1.46	1.46	1.46
Fan Diameter / CFM	20 / 3600	20 / 3600	24 / 3800	20 / 3800	24 / 3800	24 / 4000
R-410A Charge - Oz	124	114	115	246	260	253
Net Weight lbs.	397	397	429	494	509	517
Shipping Weight lbs.	410	410	442	507	522	530
Sound Rating	73	73	78	78	78	78

Notes:

¹ Certified in accordance with A.H.R.I. Standard 210/240 at 95°F Outdoor DB and 80°F DB/67°F WB evaporator entering air (Cooling) and 47°F Outdoor DB and 70°F Indoor DB (Heating) at minimum external duct static pressures allowed by the standard.

² EER2 - Energy Efficiency Ratio (Btu/Watt). EER2 is determined @ 95°F Outdoor DB & 80°F DB/67°F WB Air Indoor

SEER2 - Seasonal Energy Efficiency Rating

HSPF2 - Heating Seasonal Performance Factor

ELECTRICAL DATA

Model Number	Heater kw	Single Circuit		Multiple Supply Circuit Option					
				Circuit A (Compressor, Blower & Fan)		Circuit B (Heater Only)		Circuit C (Heater Only)	
		MCA	MOP	MCA	MOP	MCA	MOP	MCA	MOP
Q104SD-X24K	0	19.2	30	-	-	-	-	-	-
	5	44.2	50	19.2	30	25	25	-	-
	8	58.8	60	19.2	30	39.6	40	-	-
	10	69.2	70	19.2	30	50	50	-	-
	15	94.2	100	19.2	30	75	80	-	-
	15(3cir)	94.2	100	19.2	30	50	50	25	25
Q104SD-X30K	0	22.4	35	-	-	-	-	-	-
	5	47.4	50	22.4	35	25	25	-	-
	8	62.0	70	22.4	35	39.6	40	-	-
	10	72.4	80	22.4	35	50	50	-	-
	15	97.4	100	22.4	35	75	80	-	-
	15(3cir)	97.4	100	22.4	35	50	50	25	25
Q104SD-X36K	0	27.4	45	-	-	-	-	-	-
	5	52.4	60	27.4	45	25	25	-	-
	8	67.0	70	27.4	45	39.6	40	-	-
	10	77.4	80	27.4	45	50	50	-	-
Q104SD-X42K	0	30.1	50	-	-	-	-	-	-
	5	55.1	70	30.1	50	25	25	-	-
	8	69.7	80	30.1	50	39.6	40	-	-
	10	80.1	90	30.1	50	50	50	-	-
	15	105.1	110	30.1	50	75	80	-	-
	15(3cir)	105.1	110	30.1	50	50	50	25	25
	20	130.1	150	30.1	50	100	100	-	-
20(3cir)	130.1	150	30.1	50	50	50	50	50	
Q104SD-X48K	0	34.1	50	-	-	-	-	-	-
	5	59.1	70	34.1	50	25	25	-	-
	8	73.7	80	34.1	50	39.6	40	-	-
	10	84.1	90	34.1	50	50	50	-	-
	15	109.1	110	34.1	50	75	80	-	-
	15(3cir)	109.1	110	34.1	50	50	50	25	25
	20	134.1	150	34.1	50	100	100	-	-
	20(3cir)	134.1	150	34.1	50	50	50	50	50
Q104SD-X60K	0	38.9	60	-	-	-	-	-	-
	5	63.9	80	38.9	60	25	25	-	-
	8	78.4	90	38.9	60	39.6	40	-	-
	10	88.9	100	38.9	60	50	50	-	-
	15	113.9	125	38.9	60	75	80	-	-
	15(3cir)	113.9	125	38.9	60	50	50	25	25
	20	138.9	150	38.9	60	100	100	-	-
	20(3cir)	138.9	150	38.9	60	50	50	50	50

*If electric heat is installed, and the overcurrent rating exceeds 60A, internal circuit breakers must be installed in addition to branch circuit protection at the distribution panel.

BLOWER PERFORMANCE

Model Number Q104SD	SPEED TAP	External Static Pressure Drop - inches water column															
		0.1		0.2		0.3		0.4		0.5		0.6		0.7		0.8	
		CFM	Rise	CFM	Rise	CFM	Rise	CFM	Rise	CFM	Rise	CFM	Rise	CFM	Rise	CFM	Rise
X24K	Tap T1	825	38.4	785	40.3	710	44.4	645	48.9	580	54.5	510	62.0	435	72.5	-	-
	Tap T2	970	32.6	925	34.2	865	36.5	800	39.5	715	44.1	650	48.5	590	53.5	520	60.5
	Tap T3**	1070	29.6	1010	31.3	945	33.4	905	34.9	815	38.8	745	42.5	675	46.9	615	51.2
	Tap T4*	1190	26.6	1140	27.7	1070	29.6	1020	30.9	955	33.1	860	36.7	805	39.3	765	41.4
	Tap T5	1330	23.8	1275	24.8	1220	25.9	1165	27.1	1105	28.6	1045	30.3	955	33.0	880	35.9
X30K	Tap T1	890	35.5	830	38.0	765	41.3	685	46.0	625	50.6	575	54.9	500	62.9	420	75.4
	Tap T2	970	32.6	925	34.2	865	36.5	800	39.5	715	44.1	650	48.5	590	53.5	520	60.5
	Tap T3**	1190	26.6	1140	27.7	1070	29.6	1020	30.9	955	33.1	860	36.7	805	39.3	765	41.4
	Tap T4*	1380	22.9	1335	23.7	1275	24.8	1220	25.9	1165	27.1	1095	28.8	1020	31.0	945	33.4
	Tap T5	1640	19.3	1605	19.7	1545	20.4	1490	21.2	1435	22.0	1380	22.9	1325	23.9	1250	25.3
X36K	Tap T1	1135	27.8	1075	29.4	1010	31.2	950	33.3	865	36.6	770	41.0	695	45.5	620	51.0
	Tap T2**	1240	25.4	1185	26.6	1130	28.0	1055	29.9	995	31.8	920	34.3	825	38.2	755	41.9
	Tap T3	1420	22.3	1370	23.1	1310	24.2	1250	25.3	1205	26.2	1125	28.1	1065	29.7	975	32.4
	Tap T4*	1630	19.4	1590	19.9	1530	20.7	1465	21.6	1410	22.4	1345	23.5	1270	24.9	1195	26.4
	Tap T5	1700	18.6	1660	19.1	1595	19.8	1535	20.6	1480	21.3	1420	22.2	1360	23.3	1280	24.7
X42K	Tap T1**	1260	25.1	1200	26.4	1135	27.9	1070	29.5	980	32.2	905	34.9	830	38.1	760	41.5
	Tap T2	1375	23.0	1330	23.7	1270	24.9	1220	25.9	1155	27.4	1075	29.3	970	32.5	900	35.1
	Tap T3	1575	20.1	1520	20.8	1470	21.5	1420	22.3	1355	23.3	1295	24.4	1215	26.0	1095	28.9
	Tap T4*	1655	19.1	1600	19.8	1555	20.3	1500	21.1	1445	21.9	1380	22.9	1315	24.0	1215	26.0
	Tap T5	1850	17.1	1795	17.6	1740	18.2	1710	18.5	1640	19.3	1595	19.8	1540	20.5	1475	21.4
X48K	Tap T1	950	33.2	900	35.1	865	36.6	730	43.4	670	47.0	585	54.2	510	62.2	-	-
	Tap T2**	1645	19.2	1595	19.8	1520	20.8	1475	21.4	1415	22.3	1350	23.4	1265	25.0	1200	26.4
	Tap T3	1765	17.9	1705	18.5	1625	19.4	1570	20.1	1525	20.7	1450	21.8	1405	22.5	1305	24.2
	Tap T4*	1995	15.8	1945	16.2	1875	16.8	1790	17.6	1725	18.3	1660	19.0	1610	19.6	1550	20.4
	Tap T5	2390	13.2	2335	13.5	2300	13.7	2240	14.1	2180	14.5	2130	14.8	2075	15.2	2015	15.7
X60K	Tap T1	1090	29.0	1030	30.6	960	33.0	880	36.0	790	40.0	715	44.2	640	49.3	570	55.4
	Tap T2**	1765	17.9	1705	18.5	1625	19.4	1570	20.1	1525	20.7	1450	21.8	1405	22.5	1305	24.2
	Tap T3	2000	15.8	1945	16.2	1890	16.7	1835	17.2	1785	17.7	1735	18.2	1690	18.7	1635	19.3
	Tap T4*	2235	14.1	2180	14.5	2125	14.9	2075	15.2	2035	15.5	1985	15.9	1940	16.3	1895	16.7
	Tap T5	2390	13.2	2335	13.5	2300	13.7	2240	14.1	2180	14.5	2130	14.8	2075	15.2	2015	15.7

Notes:

- * Denotes factory set cooling speed.
- ** Denotes factory set electric heating speed.
- Heat rise calculated based on **10KW** of electric heat using formula $(KW \times 3413) / 1.08 / CFM$
- Temperature rises in tables are approximate. Actual temperature rises may vary.
- Shaded areas are not approved for proper electric heat operation above 40F rise.
- Deduct approximately 3% from airflow shown for 208V applications.

HEATER APPLICATION MATRIX

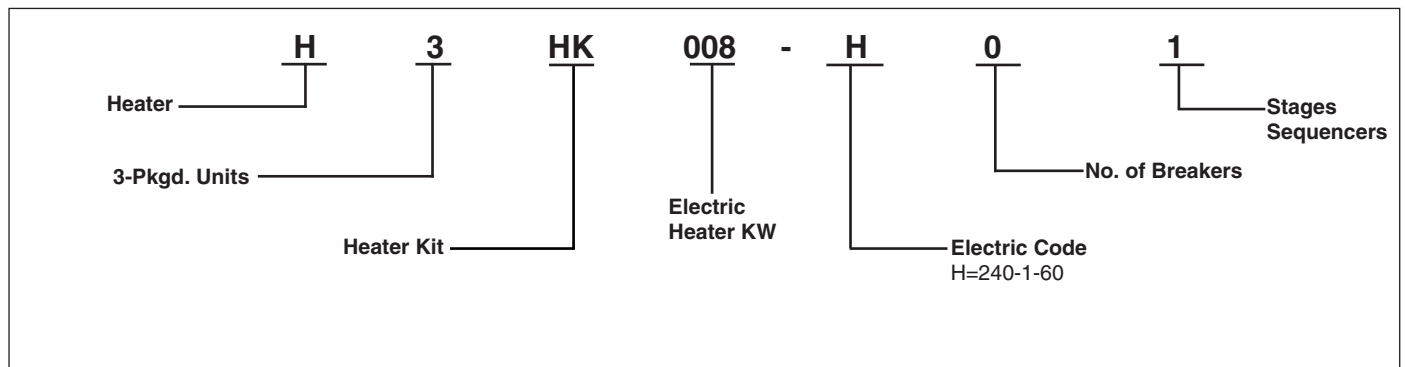
Model Number	H3HK-005H-01C	H3HK-008H-01C	H3HK-010H-01C	H3HK-015H-01C	H3HK-020H-01C	H3HK-015H-21C	H3HK-020H-21C
	917166C	917167C	917168C	917169C	917170C	917172C	917173C
Q104SD-X24	X	X(2)	X(2)	X(2)	NA	X	NA
Q104SD-X30	X	X(2)	X(2)	X(2)	NA	X	NA
Q104SD-X36	X	X(2)	X(2)	NA	NA	X	NA
Q104SD-X42	X	X(2)	X(2)	X(3)	X(3)	X(1)	X(1)
Q104SD-X48	X(2)	X(2)	X(2)	X(3)	X(3)	X(1)	X(1)
Q104SD-X60	X(2)	X(2)	X(2)	X(3)	X(3)	X(1)	X(1)

NA = Not Applicable.

() = Number of internal circuit breaker kits required.

X = Branch circuit protection only

MODEL IDENTIFICATION CODE



Q104SD ACCESSORIES

Description	Part Number
Filter Rack, All Downflow Applications	547885
Filter Kit Q104SD-X24K, Q104SD-X30K, Q104SD-X36K	547888
Filter Kit Q104SD-X42K, Q104SD-X48K, Q104SD-X60K	547889
Universal Hard Start Kit	912933
Low Ambient Kit	918837
Outdoor Thermostat Kit	913852
Skirt Trim Kit	919729
Heater Kit - 4-Pole Single Circuit Adaptor	913350
Heater Kit - Circuit Breaker Single Phase (2-Pole)	913554
Duct Adapter 12" Round (2 each)	913811A
Duct Adapter 14" Round (2 each)	913812A

EXPANDED RATINGS

COOLING

Q104SD-X24K

O.D.T			65°F			75°F			85°F			95°F			105°F			115°F		
CFM	E.D.B.	E.D.B.	T.C.	S.C.	K.W.	T.C.	S.C.	K.W.	T.C.	S.C.	K.W.	T.C.	S.C.	K.W.	T.C.	S.C.	K.W.	T.C.	S.C.	K.W.
750	80	62	26.4	22.7	1.45	24.9	21.9	1.60	23.4	21.0	1.78	21.7	20.1	1.98	20.0	19.2	2.20	18.1	18.1	2.44
	80	67	29.6	19.2	1.45	27.8	18.5	1.60	26.0	17.8	1.78	24.1	17.0	1.98	22.1	16.3	2.20	20.0	15.5	2.44
	80	72	32.5	15.7	1.48	30.5	15.1	1.63	28.4	14.6	1.81	26.2	14.0	2.01	23.9	13.4	2.23	21.6	12.8	2.47
	75	63	27.8	18.6	1.47	26.0	17.8	1.61	24.0	17.0	1.78	22.0	16.2	1.98	19.9	15.4	2.19	17.7	14.6	2.44
	75	62	26.9	19.3	1.46	25.2	18.5	1.61	23.3	17.7	1.78	21.3	16.9	1.97	19.3	16.0	2.19	17.1	15.2	2.43
825	80	62	27.0	24.4	1.49	25.5	23.5	1.64	23.9	22.5	1.81	22.3	21.6	2.01	20.5	20.5	2.24	18.6	18.6	2.48
	80	67	30.0	20.5	1.49	28.3	19.7	1.64	26.4	18.9	1.82	24.5	18.1	2.02	22.5	17.3	2.24	20.4	16.5	2.49
	80	72	32.8	16.6	1.52	30.8	16.0	1.67	28.7	15.4	1.85	26.5	14.7	2.05	24.2	14.0	2.27	21.8	13.4	2.52
	75	63	28.1	19.9	1.50	26.3	19.0	1.64	24.4	18.2	1.82	22.3	17.3	2.01	20.2	16.4	2.23	18.0	15.5	2.47
	75	62	27.3	20.7	1.49	25.5	19.8	1.64	23.7	18.9	1.81	21.7	18.0	2.01	19.6	17.1	2.22	17.4	16.2	2.47
900	80	62	28.2	25.9	1.55	26.7	24.9	1.70	25.1	23.9	1.88	23.4	22.9	2.08	21.7	21.7	2.30	19.8	19.8	2.55
	80	67	31.1	21.6	1.55	29.4	20.8	1.71	27.5	19.9	1.88	25.6	19.1	2.08	23.5	18.2	2.31	21.4	17.3	2.56
	80	72	33.8	17.4	1.58	31.8	16.7	1.74	29.6	16.0	1.92	27.4	15.2	2.12	25.1	14.5	2.35	22.7	13.8	2.59
	75	63	29.2	21.0	1.55	27.3	20.1	1.70	25.4	19.1	1.87	23.3	18.2	2.07	21.2	17.3	2.29	18.9	16.3	2.53
	75	62	28.4	21.9	1.55	26.6	20.9	1.70	24.7	20.0	1.87	22.7	19.0	2.07	20.6	18.0	2.28	18.4	17.0	2.53

Q104SD-X30K

O.D.T			65°F			75°F			85°F			95°F			105°F			115°F		
CFM	E.D.B.	E.D.B.	T.C.	S.C.	K.W.	T.C.	S.C.	K.W.	T.C.	S.C.	K.W.	T.C.	S.C.	K.W.	T.C.	S.C.	K.W.	T.C.	S.C.	K.W.
900	80	62	32.1	27.4	1.84	30.5	26.4	2.05	28.7	25.4	2.30	26.8	24.3	2.58	24.9	23.2	2.90	22.8	22.0	3.26
	80	67	35.4	23.7	1.82	33.4	22.9	2.08	31.4	22.0	2.38	29.2	21.1	2.71	26.9	20.2	3.07	24.5	19.2	3.48
	80	72	40.5	19.9	1.81	38.3	19.3	2.11	35.9	18.6	2.45	33.4	17.9	2.83	30.8	17.2	3.24	28.1	16.4	3.69
	75	62	32.7	24.3	1.69	30.8	23.2	1.96	28.8	22.2	2.26	26.7	21.1	2.59	24.5	19.9	2.96	22.2	18.7	3.37
	75	63	33.7	23.3	1.67	31.8	22.3	1.94	29.7	21.3	2.25	27.5	20.2	2.60	25.3	19.1	2.98	22.9	18.0	3.40
1000	80	62	32.9	28.6	1.93	31.2	27.5	2.10	29.4	26.5	2.30	27.5	25.4	2.54	25.5	24.3	2.82	23.4	23.1	3.14
	80	67	36.4	24.7	1.91	34.4	23.9	2.13	32.3	23.1	2.38	30.1	22.2	2.67	27.8	21.3	2.99	25.4	20.3	3.36
	80	72	41.7	20.9	1.90	39.4	20.3	2.16	37.0	19.7	2.46	34.5	19.0	2.79	31.9	18.2	3.16	29.2	17.5	3.57
	75	62	33.3	25.4	1.90	31.3	24.4	2.12	29.3	23.3	2.38	27.2	22.2	2.67	24.9	21.0	3.00	22.6	19.9	3.37
	75	63	34.3	24.4	1.88	32.3	23.5	2.11	30.2	22.4	2.37	28.0	21.4	2.68	25.7	20.2	3.02	23.3	19.1	3.39
1100	80	62	33.5	29.5	1.95	31.8	28.4	2.08	30.0	27.4	2.25	28.1	26.3	2.45	26.1	25.2	2.68	24.0	24.0*	2.96
	80	67	37.2	25.6	1.94	35.2	24.8	2.11	33.1	23.9	2.32	30.9	23.0	2.57	28.6	22.1	2.86	26.1	21.1	3.18
	80	72	42.8	21.8	1.93	40.4	21.1	2.15	38.0	20.5	2.40	35.5	19.8	2.70	32.9	19.0	3.03	30.1	18.3	3.39
	75	62	33.6	26.3	2.04	31.7	25.3	2.22	29.7	24.2	2.44	27.5	23.1	2.69	25.2	21.9	2.98	22.9	20.7	3.30
	75	63	34.7	25.3	2.02	32.7	24.3	2.21	30.6	23.3	2.43	28.4	22.2	2.70	26.1	21.1	2.99	23.7	20.0	3.33

Notes:

- 1) T.C. = Total (Net) Cooling Capacity (kBtu); S.C. = Sensible Cooling Capacity (kBtu); KW = Kilowatts
- 2) Expanded Ratings are based on 230 Volt - 60 Hz operation
- 3) Shaded area indicates AHRI rating point.

EXPANDED RATINGS Continued

COOLING

Q104SD-X36K

O.D.T			65°F			75°F			85°F			95°F			105°F			115°F		
CFM	E.D.B.	E.D.B.	T.C.	S.C.	K.W.	T.C.	S.C.	K.W.	T.C.	S.C.	K.W.	T.C.	S.C.	K.W.	T.C.	S.C.	K.W.	T.C.	S.C.	K.W.
1050	80	62	38.3	32.8	2.20	36.2	31.6	2.45	33.9	30.3	2.74	31.4	28.8	3.07	28.8	27.1	3.45	26.0	25.3	3.87
	80	67	43.4	28.2	2.22	40.7	27.3	2.48	37.9	26.3	2.77	35.0	25.1	3.11	31.8	23.7	3.50	28.5	22.2	3.92
	80	72	47.5	22.8	2.24	44.3	22.2	2.50	41.0	21.5	2.80	37.6	20.6	3.15	33.9	19.5	3.54	30.1	18.3	3.97
	75	63	39.8	27.4	2.20	37.3	26.4	2.46	34.6	25.1	2.75	31.7	23.8	3.09	28.7	22.2	3.47	25.5	20.5	3.89
	75	62	38.6	28.1	2.23	36.2	27.0	2.48	33.6	25.8	2.77	30.8	24.4	3.11	27.9	22.8	3.49	24.8	21.0	3.91
1200	80	62	39.4	34.9	2.28	37.2	33.6	2.52	34.9	32.2	2.81	32.4	30.6	3.14	29.7	28.9	3.52	26.9	26.9*	3.94
	80	67	44.4	30.2	2.30	41.7	29.3	2.55	38.9	28.1	2.85	35.8	26.8	3.19	32.7	25.4	3.57	29.3	23.7	3.99
	80	72	48.4	24.8	2.31	45.2	24.1	2.57	41.9	23.3	2.88	38.4	22.3	3.22	34.7	21.1	3.61	30.8	19.8	4.04
	75	63	41.0	29.7	2.27	38.4	28.6	2.52	35.6	27.3	2.82	32.7	25.8	3.15	29.6	24.2	3.53	26.4	22.4	3.95
	75	62	39.7	30.5	2.29	37.3	29.3	2.54	34.6	27.9	2.84	31.8	26.4	3.17	28.8	24.7	3.55	25.7	22.8	3.97
1350	80	62	40.1	35.9	2.34	37.9	34.6	2.58	35.5	33.1	2.87	33.0	31.4	3.20	30.2	29.5	3.57	27.3	27.3*	3.99
	80	67	45.0	31.2	2.36	42.3	30.2	2.61	39.4	28.9	2.90	36.3	27.5	3.24	33.1	26.0	3.62	29.7	24.2	4.04
	80	72	49.0	25.8	2.37	45.8	25.0	2.63	42.4	24.1	2.93	38.8	23.0	3.28	35.1	21.7	3.66	31.1	20.2	4.09
	75	63	41.7	31.0	2.32	39.1	29.8	2.57	36.3	28.4	2.86	33.3	26.8	3.20	30.2	25.1	3.58	26.9	23.2	4.00
	75	62	40.5	31.8	2.35	38.0	30.5	2.59	35.3	29.0	2.89	32.4	27.4	3.22	29.4	25.6	3.60	26.2	23.7	4.01

Q104SD-X42K

O.D.T			65°F			75°F			85°F			95°F			105°F			115°F		
CFM	E.D.B.	E.D.B.	T.C.	S.C.	K.W.	T.C.	S.C.	K.W.	T.C.	S.C.	K.W.	T.C.	S.C.	K.W.	T.C.	S.C.	K.W.	T.C.	S.C.	K.W.
1225	80	62	45.2	39.6	2.64	43.1	38.3	2.97	40.6	36.7	3.33	37.6	34.7	3.73	34.1	32.5	4.17	30.1	29.8	4.65
	80	67	52.4	33.4	2.56	49.9	32.7	2.92	46.9	31.6	3.31	43.4	30.2	3.75	39.5	28.4	4.21	35.0	26.3	4.72
	80	72	51.6	25.2	2.61	48.7	24.9	3.00	45.2	24.4	3.42	41.2	23.5	3.88	36.8	22.3	4.38	31.9	20.7	4.92
	75	63	47.2	31.3	2.64	44.6	30.6	2.97	41.5	29.5	3.34	37.9	28.1	3.75	33.9	26.3	4.19	29.4	24.2	4.68
	75	62	46.3	32.9	2.64	43.8	32.1	2.96	40.8	30.9	3.33	37.3	29.4	3.73	33.4	27.5	4.17	29.0	25.3	4.65
1325	80	62	44.9	41.3	2.73	42.9	39.9	3.05	40.4	38.2	3.41	37.3	36.1	3.81	33.8	33.8	4.25	29.9	29.9*	4.72
	80	67	51.3	34.7	2.67	48.8	33.8	3.02	45.8	32.6	3.41	42.3	31.1	3.84	38.4	29.2	4.30	33.9	27.0	4.81
	80	72	49.6	25.9	2.73	46.6	25.6	3.11	43.2	24.9	3.53	39.2	23.9	3.99	34.8	22.6	4.49	29.9	20.9	5.02
	75	63	46.4	32.9	2.74	43.8	32.1	3.07	40.8	30.9	3.43	37.2	29.4	3.84	33.2	27.5	4.28	28.7	25.3	4.76
	75	62	45.7	34.6	2.74	43.2	33.7	3.06	40.3	32.4	3.42	36.8	30.8	3.82	32.8	28.8	4.25	28.4	26.5	4.72
1425	80	62	47.0	43.0	2.76	44.9	41.5	3.08	42.4	39.7	3.43	39.4	37.5	3.82	35.9	35.0	4.26	32.0	32.0*	4.72
	80	67	52.5	35.9	2.71	50.0	34.9	3.06	47.0	33.6	3.44	43.5	32.0	3.87	39.5	30.0	4.33	35.1	27.7	4.82
	80	72	49.9	26.6	2.79	46.9	26.2	3.16	43.5	25.4	3.58	39.5	24.3	4.03	35.1	22.9	4.52	30.2	21.1	5.05
	75	63	48.0	34.6	2.78	45.4	33.6	3.10	42.3	32.3	3.46	38.8	30.7	3.86	34.7	28.7	4.30	30.2	26.4	4.77
	75	62	47.4	36.4	2.77	45.0	35.3	3.09	42.0	33.9	3.44	38.5	32.2	3.84	34.6	30.1	4.27	30.2	27.7	4.74

Notes:

- 1) T.C. = Total (Net) Cooling Capacity (kBtu); S.C. = Sensible Cooling Capacity (kBtu); KW = Kilowatts
- 2) Expanded Ratings are based on 230 Volt - 60 Hz operation
- 3) Shaded area indicates AHRI rating point.

EXPANDED RATINGS Continued

COOLING

Q104SD-X48K

O.D.T			65°F			75°F			85°F			95°F			105°F			115°F		
CFM	E.D.B.	E.D.B.	T.C.	S.C.	K.W.	T.C.	S.C.	K.W.	T.C.	S.C.	K.W.	T.C.	S.C.	K.W.	T.C.	S.C.	K.W.	T.C.	S.C.	K.W.
1400	80	62	53.2	46.3	2.85	50.5	45.0	3.13	47.5	43.4	3.47	44.2	41.5	3.87	40.7	39.2	4.32	36.8	36.7	4.83
	80	67	59.7	38.6	2.88	56.6	37.9	3.16	53.1	37.0	3.51	49.3	35.8	3.91	45.3	34.3	4.37	40.9	32.5	4.89
	80	72	63.9	30.4	2.93	60.3	30.5	3.22	56.4	30.2	3.57	52.2	29.7	3.98	47.6	28.9	4.45	42.8	27.8	4.97
	75	63	54.9	36.7	2.85	51.7	35.9	3.14	48.3	34.8	3.49	44.6	33.4	3.89	40.5	31.7	4.35	36.2	29.7	4.87
	75	62	53.7	38.3	2.84	50.7	37.4	3.13	47.3	36.2	3.47	43.7	34.6	3.88	39.7	32.8	4.34	35.5	30.7	4.86
1600	80	62	54.4	49.2	2.98	51.6	47.6	3.27	48.5	45.7	3.61	45.2	43.5	4.00	41.5	41.0	4.46	37.6	37.6*	4.97
	80	67	60.0	41.0	2.99	56.7	40.0	3.28	53.2	38.8	3.63	49.4	37.3	4.04	45.3	35.5	4.50	40.8	33.4	5.02
	80	72	63.3	32.2	3.03	59.6	32.0	3.33	55.6	31.5	3.68	51.3	30.7	4.09	46.7	29.6	4.56	41.8	28.2	5.09
	75	63	55.5	40.1	2.96	52.3	39.0	3.25	48.8	37.6	3.60	44.9	35.9	4.01	40.8	33.9	4.47	36.4	31.6	4.99
	75	62	54.5	41.8	2.95	51.4	40.6	3.24	48.0	39.1	3.59	44.2	37.3	4.00	40.2	35.1	4.46	35.9	32.7	4.98
1800	80	62	55.8	51.6	3.13	53.0	49.6	3.42	49.8	47.4	3.76	46.4	44.9	4.16	42.6	42.1	4.62	38.6	38.6*	5.13
	80	67	60.5	42.7	3.13	57.2	41.5	3.43	53.6	40.0	3.78	49.7	38.2	4.18	45.5	36.1	4.65	41.0	33.7	5.17
	80	72	62.9	33.5	3.16	59.2	33.0	3.46	55.1	32.2	3.81	50.7	31.1	4.23	46.0	29.7	4.70	41.1	28.0	5.22
	75	63	56.4	42.9	3.09	53.1	41.5	3.39	49.5	39.8	3.74	45.6	37.8	4.15	41.4	35.5	4.61	36.9	33.0	5.14
	75	62	55.6	44.7	3.09	52.4	43.2	3.38	48.9	41.4	3.73	45.1	39.3	4.14	41.0	36.8	4.60	36.6	34.1	5.12

Q104SD-X60K

O.D.T			65°F			75°F			85°F			95°F			105°F			115°F		
CFM	E.D.B.	E.D.B.	T.C.	S.C.	K.W.	T.C.	S.C.	K.W.	T.C.	S.C.	K.W.	T.C.	S.C.	K.W.	T.C.	S.C.	K.W.	T.C.	S.C.	K.W.
1650	80	62	62.2	54.7	3.44	59.2	53.0	3.81	55.7	51.1	4.25	52.0	48.8	4.76	47.8	46.1	5.35	43.3	43.2	6.01
	80	67	69.6	45.7	3.45	65.7	44.5	3.83	61.4	42.9	4.29	56.7	41.0	4.82	51.6	38.7	5.43	46.2	36.2	6.11
	80	72	76.4	37.1	3.49	71.6	36.2	3.89	66.4	35.0	4.37	60.8	33.5	4.92	54.8	31.7	5.54	48.5	29.5	6.24
	75	63	64.1	44.6	3.48	60.3	43.2	3.83	56.2	41.5	4.26	51.7	39.4	4.77	46.8	37.0	5.34	41.6	34.3	5.99
	75	62	62.0	46.2	3.49	58.4	44.7	3.84	54.5	42.9	4.27	50.1	40.8	4.77	45.5	38.3	5.34	40.4	35.5	5.98
1825	80	62	64.2	57.7	3.55	61.1	56.0	3.92	57.6	54.0	4.36	53.7	51.7	4.88	49.4	49.1	5.47	44.8	44.8*	6.14
	80	67	71.1	48.1	3.57	67.0	46.9	3.96	62.6	45.3	4.42	57.8	43.4	4.96	52.7	41.2	5.57	47.2	38.6	6.25
	80	72	77.4	38.9	3.62	72.4	38.0	4.03	67.1	36.9	4.51	61.4	35.3	5.07	55.4	33.5	5.69	48.9	31.4	6.40
	75	63	65.7	47.0	3.59	61.9	45.6	3.95	57.7	43.9	4.39	53.1	41.8	4.90	48.1	39.4	5.48	42.8	36.7	6.13
	75	62	63.7	48.7	3.60	60.1	47.2	3.96	56.0	45.4	4.39	51.6	43.3	4.89	46.9	40.8	5.47	41.7	38.1	6.12
1950	80	62	64.4	59.3	3.61	61.2	57.6	3.99	57.6	55.7	4.44	53.7	53.4	4.96	49.4	49.4*	5.55	44.7	44.7*	6.22
	80	67	70.9	49.4	3.64	66.8	48.1	4.04	62.3	46.5	4.50	57.4	44.6	5.04	52.2	42.4	5.66	46.6	39.8	6.34
	80	72	76.8	39.7	3.71	71.8	38.9	4.12	66.4	37.7	4.61	60.6	36.2	5.16	54.5	34.4	5.80	48.0	32.2	6.50
	75	63	65.7	48.2	3.67	61.8	46.8	4.03	57.5	45.1	4.47	52.8	43.0	4.98	47.8	40.7	5.57	42.4	38.0	6.22
	75	62	63.8	50.0	3.67	60.1	48.6	4.03	56.0	46.8	4.47	51.5	44.6	4.97	46.6	42.2	5.55	41.4	39.4	6.21

Notes:

- 1) T.C. = Total (Net) Cooling Capacity (kBtu); S.C. = Sensible Cooling Capacity (kBtu); KW = Kilowatts
- 2) Expanded Ratings are based on 230 Volt - 60 Hz operation
- 3) Shaded area indicates AHRI rating point.

EXPANDED RATINGS

HEATING

Q104SD-X24K

		OUTDOOR TEMPERATURE (Deg. F)																							
SCFM	IDT DEG. F	10			17			20			30			40			47			50			60		
		MBH	COP	kW	MBH	COP	kW	MBH	COP	kW	MBH	COP	kW	MBH	COP	kW	MBH	COP	kW	MBH	COP	kW	MBH	COP	kW
750	60	9.5	1.78	1.56	12.1	2.22	1.59	13.2	2.41	1.61	16.9	3.00	1.65	20.6	3.57	1.69	23.2	3.95	1.73	24.3	4.11	1.74	28.1	4.62	1.78
	70	8.9	1.73	1.52	11.4	2.13	1.56	12.4	2.30	1.58	15.9	2.82	1.65	19.4	3.30	1.72	21.8	3.62	1.77	22.8	3.75	1.79	26.3	4.16	1.85
	80	8.3	1.64	1.49	10.6	2.01	1.55	11.6	2.16	1.57	14.8	2.63	1.65	18.0	3.07	1.73	20.3	3.34	1.78	21.3	3.46	1.80	24.5	3.82	1.88
825	60	9.5	1.75	1.59	12.1	2.19	1.62	13.3	2.38	1.64	17.0	2.98	1.68	20.8	3.54	1.72	23.4	3.93	1.75	24.6	4.09	1.76	28.3	4.60	1.81
	70	9.0	1.70	1.55	11.5	2.11	1.60	12.5	2.27	1.62	16.0	2.79	1.68	19.5	3.28	1.75	22.0	3.60	1.79	23.1	3.73	1.81	26.6	4.15	1.88
	80	8.4	1.63	1.52	10.7	2.00	1.57	11.7	2.15	1.60	15.0	2.62	1.68	18.3	3.05	1.76	20.6	3.32	1.82	21.6	3.43	1.84	24.8	3.79	1.92
900	60	9.6	1.73	1.63	12.3	2.17	1.66	13.4	2.36	1.67	17.2	2.95	1.71	21.0	3.52	1.74	23.6	3.91	1.77	24.7	4.07	1.78	28.5	4.59	1.82
	70	9.1	1.69	1.58	11.6	2.09	1.63	12.6	2.25	1.65	16.2	2.78	1.71	19.7	3.26	1.77	22.2	3.58	1.82	23.3	3.72	1.84	26.8	4.14	1.90
	80	8.5	1.62	1.55	10.8	1.98	1.60	11.8	2.13	1.63	15.1	2.59	1.71	18.4	3.01	1.79	20.7	3.28	1.85	21.7	3.39	1.87	25.0	3.74	1.96

Q104SD-X30K

		OUTDOOR TEMPERATURE (Deg. F)																							
SCFM	IDT DEG. F	10			17			20			30			40			47			50			60		
		MBH	COP	kW	MBH	COP	kW	MBH	COP	kW	MBH	COP	kW	MBH	COP	kW	MBH	COP	kW	MBH	COP	kW	MBH	COP	kW
900	60	14.5	2.21	1.80	17.5	2.60	1.87	18.7	2.76	1.90	22.9	3.25	2.00	27.0	3.69	2.10	29.8	3.96	2.17	31.0	4.07	2.20	34.9	4.39	2.30
	70	13.2	1.85	2.05	16.2	2.21	2.12	17.5	2.35	2.15	21.6	2.80	2.25	25.7	3.19	2.35	28.5	3.43	2.42	29.7	3.52	2.45	33.6	3.80	2.55
	80	11.9	1.49	2.30	14.9	1.81	2.37	16.2	1.94	2.40	20.4	2.34	2.50	24.4	2.69	2.60	27.2	2.89	2.67	28.4	2.97	2.70	32.3	3.20	2.80
1000	60	14.6	2.25	1.82	17.7	2.64	1.89	18.9	2.80	1.92	23.1	3.30	2.02	27.2	3.73	2.12	30.0	4.01	2.19	31.2	4.12	2.22	35.0	4.44	2.32
	70	13.4	1.90	2.07	16.4	2.25	2.14	17.6	2.40	2.17	21.8	2.84	2.27	25.9	3.23	2.37	28.7	3.47	2.44	29.9	3.57	2.47	33.8	3.85	2.57
	80	12.1	1.54	2.32	15.1	1.86	2.39	16.4	1.99	2.42	20.5	2.39	2.52	24.6	2.73	2.62	27.4	2.94	2.69	28.6	3.02	2.72	32.5	3.25	2.83
1100	60	14.8	2.31	1.84	17.8	2.70	1.91	19.1	2.86	1.94	23.3	3.35	2.04	27.4	3.79	2.14	30.2	4.06	2.21	31.4	4.17	2.24	35.2	4.49	2.34
	70	13.5	1.95	2.09	16.6	2.31	2.16	17.8	2.45	2.19	22.0	2.90	2.29	26.1	3.29	2.39	28.9	3.53	2.46	30.1	3.62	2.49	33.9	3.90	2.60
	80	12.3	1.59	2.34	15.3	1.91	2.41	16.5	2.04	2.44	20.7	2.44	2.54	24.8	2.79	2.64	27.6	2.99	2.72	28.8	3.07	2.75	32.7	3.30	2.85

Q104SD-X36K

		OUTDOOR TEMPERATURE (Deg. F)																							
SCFM	IDT DEG. F	10			17			20			30			40			47			50			60		
		MBH	COP	kW	MBH	COP	kW	MBH	COP	kW	MBH	COP	kW	MBH	COP	kW	MBH	COP	kW	MBH	COP	kW	MBH	COP	kW
1050	60	15.9	2.01	2.14	19.3	2.41	2.21	20.8	2.57	2.25	25.7	3.07	2.36	30.6	3.53	2.47	33.9	3.81	2.55	35.4	3.93	2.58	40.2	4.29	2.69
	70	14.1	1.65	2.45	17.5	2.01	2.53	19.0	2.16	2.56	23.9	2.62	2.67	28.8	3.03	2.78	32.1	3.29	2.86	33.6	3.39	2.89	38.4	3.70	3.00
	80	12.3	1.29	2.76	15.7	1.62	2.84	17.2	1.76	2.87	22.1	2.17	2.98	27.0	2.54	3.09	30.3	2.76	3.17	31.8	2.85	3.21	36.6	3.12	3.32
1225	60	16.3	2.08	2.16	19.7	2.47	2.24	21.2	2.63	2.27	26.1	3.14	2.38	31.0	3.59	2.49	34.4	3.88	2.57	35.8	4.00	2.60	40.6	4.35	2.72
	70	14.5	1.72	2.47	17.9	2.08	2.55	19.4	2.23	2.58	24.3	2.69	2.70	29.2	3.10	2.81	32.6	3.35	2.88	34.0	3.46	2.92	38.8	3.77	3.03
	80	12.7	1.36	2.79	16.1	1.69	2.86	17.6	1.82	2.90	22.5	2.24	3.01	27.4	2.60	3.12	30.8	2.83	3.20	32.2	2.92	3.23	37.0	3.18	3.34
1350	60	16.6	2.13	2.18	20.0	2.53	2.26	21.5	2.69	2.29	26.4	3.19	2.40	31.3	3.65	2.51	34.7	3.93	2.59	36.1	4.05	2.62	40.9	4.40	2.73
	70	14.8	1.77	2.49	18.2	2.13	2.57	19.7	2.28	2.60	24.6	2.74	2.71	29.5	3.15	2.82	32.9	3.41	2.90	34.3	3.51	2.94	39.1	3.82	3.05
	80	13.0	1.41	2.80	16.4	1.74	2.88	17.9	1.87	2.91	22.8	2.29	3.03	27.7	2.65	3.14	31.1	2.88	3.21	32.5	2.97	3.25	37.3	3.23	3.36

Notes:

1) MBH = Heating Capacity (Btu/h x 1,000); COP = Coefficient of Performance; kW = kilowatt

EXPANDED RATINGS Continued

HEATING

Q104SD-X42K

		OUTDOOR TEMPERATURE (Deg. F)																							
SCFM	IDT DEG. F	10			17			20			30			40			47			50			60		
		MBH	COP	kW	MBH	COP	kW	MBH	COP	kW	MBH	COP	kW	MBH	COP	kW	MBH	COP	kW	MBH	COP	kW	MBH	COP	kW
1225	60	20.8	2.29	2.67	24.6	2.70	2.88	26.3	2.86	2.97	32.1	3.35	3.27	38.2	3.77	3.57	42.6	4.01	3.78	44.5	4.10	3.87	50.9	4.35	4.17
	70	19.2	1.92	2.76	23.1	2.27	2.96	24.8	2.41	3.04	30.7	2.81	3.32	36.9	3.14	3.60	41.4	3.31	3.79	43.3	3.38	3.88	49.8	3.54	4.16
	80	16.3	1.54	2.86	20.2	1.82	3.04	21.9	1.93	3.11	27.9	2.25	3.37	34.2	2.48	3.63	38.8	2.60	3.81	40.7	2.64	3.88	47.3	2.71	4.14
1325	60	20.9	2.25	2.64	24.7	2.67	2.83	26.4	2.84	2.92	32.3	3.34	3.20	38.4	3.77	3.48	42.8	4.02	3.68	44.7	4.12	3.76	51.1	4.38	4.04
	70	19.6	1.93	2.80	23.4	2.28	2.99	25.1	2.43	3.06	31.1	2.84	3.32	37.3	3.18	3.58	41.8	3.37	3.77	43.7	3.44	3.84	50.2	3.61	4.10
	80	16.8	1.59	2.97	20.7	1.88	3.14	22.4	1.99	3.21	28.5	2.32	3.45	34.8	2.57	3.69	39.3	2.70	3.85	41.3	2.74	3.92	47.9	2.82	4.16
1450	60	21.4	2.23	2.60	25.2	2.66	2.78	26.9	2.83	2.86	32.8	3.36	3.11	39.0	3.80	3.37	43.4	4.06	3.55	45.3	4.16	3.63	51.7	4.44	3.89
	70	20.3	1.96	2.86	24.2	2.33	3.02	25.9	2.47	3.09	31.9	2.91	3.33	38.1	3.26	3.57	42.6	3.46	3.73	44.5	3.53	3.81	51.0	3.72	4.04
	80	17.8	1.67	3.12	21.7	1.98	3.27	23.5	2.09	3.33	29.5	2.44	3.55	35.9	2.71	3.76	40.4	2.84	3.92	42.4	2.89	3.98	49.0	2.99	4.20

Q104SD-X48K

		OUTDOOR TEMPERATURE (Deg. F)																							
SCFM	IDT DEG. F	10			17			20			30			40			47			50			60		
		MBH	COP	kW	MBH	COP	kW	MBH	COP	kW	MBH	COP	kW	MBH	COP	kW	MBH	COP	kW	MBH	COP	kW	MBH	COP	kW
1400	60	21.6	2.25	2.82	24.9	2.72	3.02	26.5	2.90	3.11	32.8	3.43	3.40	40.0	3.88	3.70	45.4	4.18	3.90	47.7	4.30	3.99	55.3	4.72	4.28
	70	20.4	1.86	2.96	23.9	2.27	3.12	25.6	2.43	3.18	32.2	2.87	3.40	39.8	3.23	3.63	45.4	3.46	3.78	47.8	3.56	3.85	55.8	3.90	4.07
	80	17.5	1.52	3.11	21.3	1.87	3.21	23.1	2.00	3.26	30.1	2.35	3.40	38.1	2.63	3.55	43.9	2.79	3.66	46.4	2.86	3.70	54.7	3.11	3.85
1600	60	22.0	2.22	2.84	25.3	2.71	3.03	27.0	2.90	3.11	33.4	3.46	3.38	40.7	3.94	3.65	46.2	4.25	3.84	48.5	4.38	3.92	56.2	4.83	4.19
	70	20.3	1.87	3.07	23.9	2.30	3.21	25.7	2.46	3.27	32.4	2.93	3.47	40.1	3.32	3.67	45.8	3.57	3.81	48.3	3.68	3.87	56.3	4.04	4.07
	80	17.1	1.56	3.30	20.9	1.93	3.39	22.8	2.06	3.43	29.9	2.44	3.56	38.0	2.75	3.68	43.9	2.93	3.77	46.5	3.01	3.81	54.9	3.29	3.94
1800	60	23.8	2.12	2.87	27.2	2.63	3.05	28.9	2.83	3.13	35.5	3.41	3.38	42.9	3.92	3.63	48.4	4.25	3.80	50.8	4.38	3.88	58.7	4.86	4.13
	70	21.8	1.80	3.19	25.4	2.25	3.32	27.2	2.42	3.37	34.1	2.92	3.55	41.9	3.33	3.73	47.7	3.60	3.85	50.2	3.71	3.91	58.4	4.10	4.09
	80	18.1	1.52	3.51	22.0	1.91	3.59	24.0	2.05	3.62	31.2	2.46	3.73	39.4	2.79	3.83	45.4	3.00	3.91	48.0	3.08	3.94	56.5	3.38	4.05

Q104SD-X60K

		OUTDOOR TEMPERATURE (Deg. F)																							
SCFM	IDT DEG. F	10			17			20			30			40			47			50			60		
		MBH	COP	kW	MBH	COP	kW	MBH	COP	kW	MBH	COP	kW	MBH	COP	kW	MBH	COP	kW	MBH	COP	kW	MBH	COP	kW
1650	60	27.0	2.35	3.37	34.4	2.68	3.66	37.4	2.80	3.79	46.8	3.18	4.21	55.8	3.50	4.63	62.1	3.72	4.93	64.8	3.81	5.05	74.5	4.13	5.47
	70	22.9	2.05	3.53	29.6	2.36	3.75	32.3	2.48	3.84	40.6	2.82	4.16	48.5	3.13	4.48	54.0	3.33	4.70	56.5	3.41	4.80	65.1	3.71	5.11
	80	15.3	1.91	3.68	21.2	2.20	3.83	23.6	2.31	3.90	30.8	2.64	4.11	37.6	2.91	4.33	42.4	3.09	4.48	44.5	3.17	4.54	52.0	3.44	4.75
1825	60	26.7	2.35	3.45	34.0	2.71	3.71	37.0	2.85	3.83	46.3	3.27	4.20	55.1	3.64	4.58	61.4	3.89	4.84	64.1	4.00	4.95	73.6	4.37	5.33
	70	25.4	1.98	3.76	32.0	2.32	3.95	34.6	2.46	4.03	42.8	2.85	4.30	50.6	3.20	4.57	56.0	3.43	4.76	58.4	3.53	4.84	66.9	3.88	5.11
	80	20.6	1.78	4.06	26.4	2.10	4.18	28.7	2.23	4.23	35.8	2.60	4.40	42.5	2.92	4.57	47.2	3.14	4.68	49.2	3.23	4.73	56.6	3.55	4.90
1950	60	25.6	2.32	3.36	32.9	2.70	3.60	35.8	2.85	3.70	45.0	3.31	4.04	53.8	3.71	4.38	59.9	3.99	4.62	62.6	4.10	4.73	72.1	4.51	5.07
	70	26.3	1.90	3.77	32.8	2.27	3.94	35.4	2.41	4.01	43.5	2.84	4.25	51.2	3.23	4.49	56.6	3.48	4.65	58.9	3.59	4.72	67.3	3.97	4.96
	80	23.4	1.65	4.18	29.2	2.00	4.27	31.4	2.13	4.31	38.5	2.54	4.45	45.0	2.90	4.59	49.6	3.14	4.68	51.7	3.24	4.72	59.0	3.59	4.80

Notes:

1) MBH = Heating Capacity (Btuh x 1,000); COP = Coefficient of Performance; kW = kilowatt



GENERAL TERMS OF LIMITED WARRANTY

Nortek Global HVAC, LLC will furnish a replacement for any part of this product which fails in normal use and service within the terms and conditions of the warranty.

For complete details of the Limited Warranty, including applicable terms and conditions, see your local installer or contact the Nortek Global HVAC, LLC warranty department for a copy.

Before purchasing this appliance, read important energy cost and efficiency information available from your retailer. Specifications and illustrations subject to change without notice and without incurring obligations. Printed in U.S.A. (04/23)