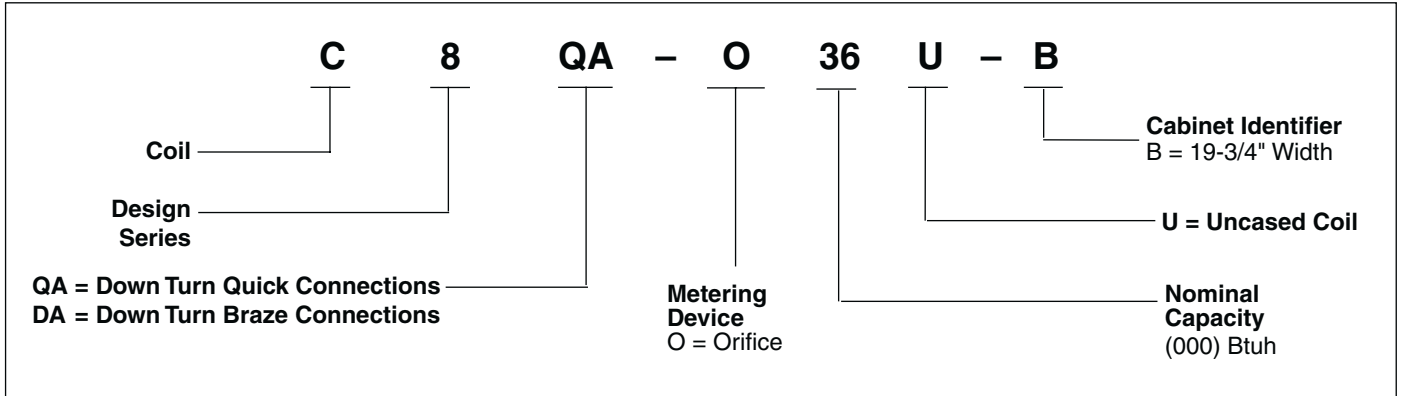


**TECHNICAL
SPECIFICATIONS**

C8 Manufactured Housing Indoor Coils

MODEL IDENTIFICATION CODE



Drain Pan—Bottom View

| Dimension | "B" Cabinet 24-48 |
|-----------|----------------------|
| W | 18 1/8 |
| B | 10 5/8 |

See Figure 1.

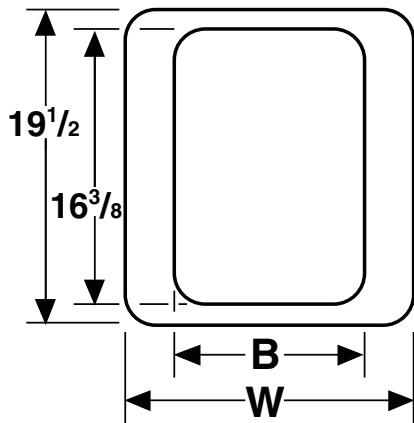
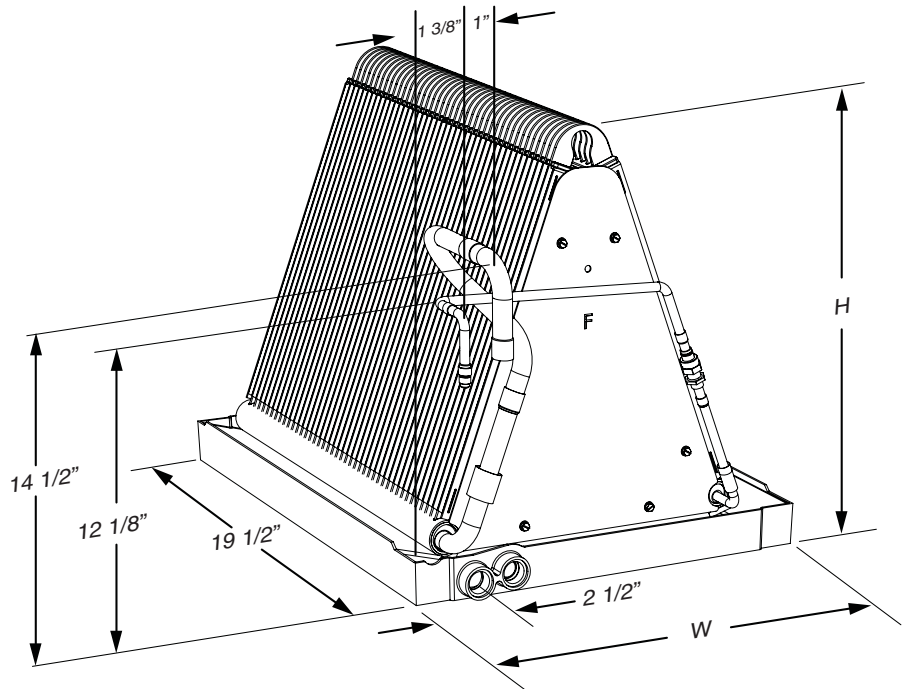


Figure 1. Drain Pan Dimensions



TXV Kits

| | |
|---------|-------------|
| 920662A | R-22 2.0T |
| 920663A | R-22 2.5T |
| 920664A | R-22 3.0T |
| 920665A | R-22 3.5T |
| 920666A | R-22 4.0T |
| 920667A | R-22 5.0T |
| 920668A | R-410a 2.0T |
| 920669A | R-410a 2.5T |
| 920670A | R-410a 3.0T |
| 920671A | R-410a 3.5T |
| 920672A | R-410a 4.0T |
| 920673A | R-410a 5.0T |

Tube Kits

| | |
|--------|--------------------|
| 921732 | Kit, REPL Tube A18 |
| 921733 | Kit, REPL Tube B18 |
| 921734 | Kit, REPL Tube B24 |
| 921735 | Kit, REPL Tube C24 |
| 921736 | Kit, REPL Tube C28 |

TXV COIL DATA TABLE

| Coil Model C8BA | 01830-B | 036-B | 042-B |
|--|---------|--------|--------|
| Face Area (ft ²) | 3.43 | 3.43 | 4.87 |
| Fins per inch | 20 | 18 | 20 |
| W - Width (in.) | 18-1/8 | 18-1/8 | 18-1/8 |
| H - Height (in.) | 18 | 18 | 24-3/4 |
| HL - Height of Liquid Line (in.) | 12-1/8 | 12-1/8 | 12-1/8 |
| HS - Height of Suction Line (in.) | 14-1/2 | 14-1/2 | 14-1/2 |
| Connection - Liquid Line | 3/8 | 3/8 | 3/8 |
| Connection - Suction Line | 3/4 | 3/4 | 7/8 |
| Horizontal Drain Kit | 920265 | 920265 | 920266 |
| Metering Orifice Size (in.) | 0.061 | 0.067 | 0.071 |
| Nominal Airflow (CFM) (Lower Tonnage) | 525 | 1,200 | 1,350 |
| Nominal Airflow (CFM) (Higher Tonnage) | 950 | | |
| Pressure Drop at nom airflow (in. wc) (Lower Tonnage) | 0.09 | 0.27 | 0.27 |
| Pressure Drop at nom airflow (in. wc) (Higher Tonnage) | 0.26 | | |

| Coil Model C8DA | 01830-B | 036-B | 042-B |
|--|---------|--------|--------|
| Face Area (ft ²) | 3.43 | 3.43 | 4.87 |
| Fins per inch | 20 | 18 | 20 |
| W - Width (in.) | 18-1/8 | 18-1/8 | 18-1/8 |
| H - Height (in.) | 18 | 18 | 24-3/4 |
| HL - Height of Liquid Line (in.) | 12-1/8 | 12-1/8 | 12-1/8 |
| HS - Height of Suction Line (in.) | 14-1/2 | 14-1/2 | 14-1/2 |
| Connection - Liquid Line | 3/8 | 3/8 | 3/8 |
| Connection - Suction Line | 3/4 | 3/4 | 7/8 |
| Metering Orifice Size (in.) | 0.061 | 0.067 | 0.071 |
| Nominal Airflow (CFM) (Lower Tonnage) | 525 | 1,200 | 1,350 |
| Nominal Airflow (CFM) (Higher Tonnage) | 950 | | |
| Pressure Drop at nom airflow (in. wc) (Lower Tonnage) | 0.09 | 0.27 | 0.27 |
| Pressure Drop at nom airflow (in. wc) (Higher Tonnage) | 0.26 | | |

| Coil Model C8QA | 024-B | 030-B | 036-B | 042-B |
|---------------------------------------|--------|--------|--------|--------|
| Face Area (ft ²) | 3.43 | 3.43 | 3.43 | 4.87 |
| Fins per inch | 20 | 20 | 18 | 20 |
| W - Width (in.) | 18-1/8 | 18-1/8 | 18-1/8 | 18-1/8 |
| H - Height (in.) | 18 | 18 | 18 | 24-3/4 |
| HL - Height of Liquid Line (in.) | 12-1/8 | 12-1/8 | 12-1/8 | 12-1/8 |
| HS - Height of Suction Line (in.) | 14-1/2 | 14-1/2 | 14-1/2 | 14-1/2 |
| Connection - Liquid Line | 3/8 | 3/8 | 3/8 | 3/8 |
| Connection - Suction Line | 3/4 | 3/4 | 3/4 | 7/8 |
| Metering Orifice Size (in.) | 0.055 | 0.061 | 0.067 | 0.072 |
| Nominal Airflow (CFM) | 825 | 950 | 1,200 | 1,350 |
| Pressure Drop at nom airflow (in. wc) | 0.17 | 0.26 | 0.27 | 0.27 |



NORDYNE

COMPLETE COMFORT. GENUINE VALUE.

8000 Phoenix Parkway | O'Fallon, MO 63368-3827

Specifications and illustrations subject to change without notice and without incurring obligations. Printed in U.S.A (01/2012)

860D-0112