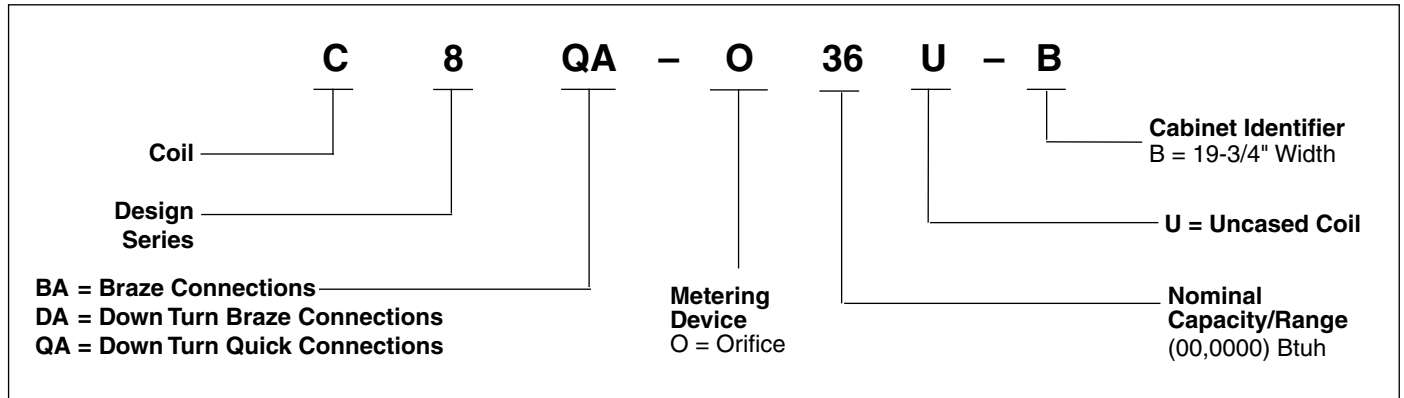


**TECHNICAL
SPECIFICATIONS**

C8 Manufactured Housing Indoor Coils

MODEL IDENTIFICATION CODE



Drain Pan—Bottom View

Dimension	"B" Cabinet 24-48
W	18 1/8
B	10 5/8

See Figure 1.

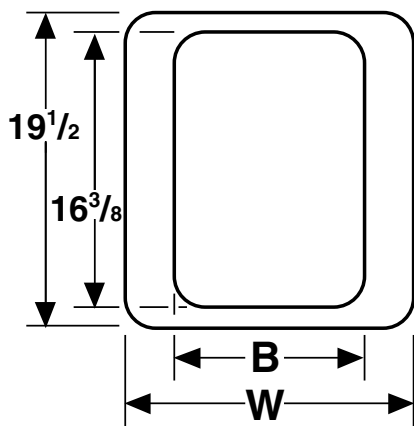
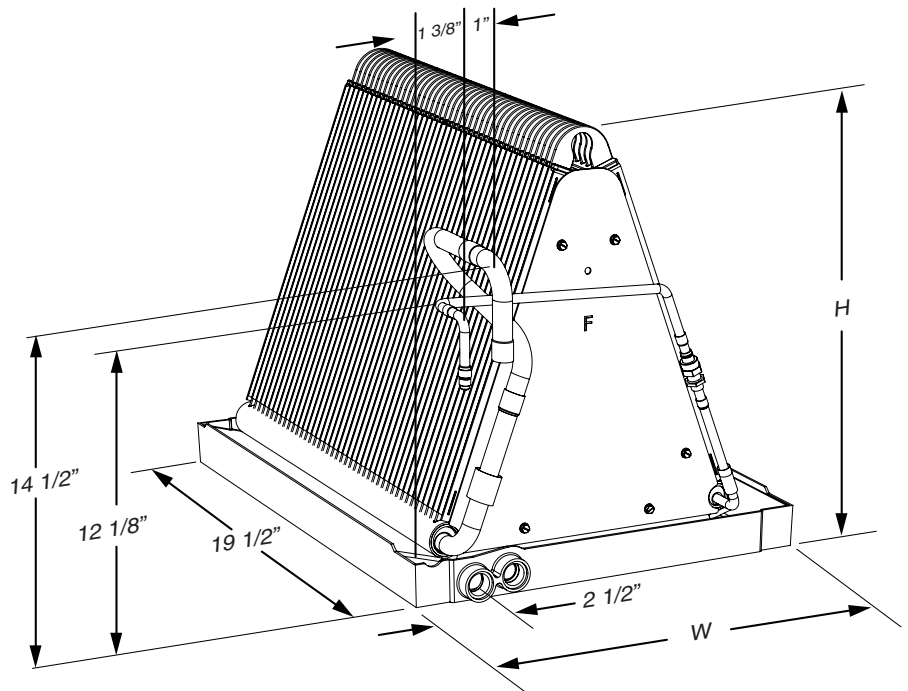


Figure 1. Drain Pan Dimensions



TXV Kits

920662A	R-22 2.0T
920663A	R-22 2.5T
920664A	R-22 3.0T
920665A	R-22 3.5T
920666A	R-22 4.0T
920667A	R-22 5.0T
920668A	R-410a 2.0T
920669A	R-410a 2.5T
920670A	R-410a 3.0T
920671A	R-410a 3.5T
920672A	R-410a 4.0T
920673A	R-410a 5.0T

Tube Kits

921732	Kit, REPL Tube A18
921733	Kit, REPL Tube B18
921734	Kit, REPL Tube B24
921735	Kit, REPL Tube C24
921736	Kit, REPL Tube C28

TXV COIL DATA TABLE

Coil Model C8BA	01830-B	036-B
Face Area (ft ²)	3.43	3.43
Fins per inch	20	18
W - Width (in.)	18-1/8	18-1/8
H - Height (in.)	18	18
HL - Height of Liquid Line (in.)	12-1/8	12-1/8
HS - Height of Suction Line (in.)	14-1/2	14-1/2
Connection - Liquid Line	3/8	3/8
Connection - Suction Line	3/4	3/4
Horizontal Drain Kit	920265	920265
Metering Orifice Size (in.)	0.061	0.067
Nominal Airflow (CFM) (Lower Tonnage)	525	1,200
Nominal Airflow (CFM) (Higher Tonnage)	950	
Pressure Drop at nom airflow (in. wc) (Lower Tonnage)	0.09	0.27
Pressure Drop at nom airflow (in. wc) (Higher Tonnage)	0.26	

Coil Model C8DA	01830-B	036-B
Face Area (ft ²)	3.43	3.43
Fins per inch	20	18
W - Width (in.)	18-1/8	18-1/8
H - Height (in.)	18	18
HL - Height of Liquid Line (in.)	12-1/8	12-1/8
HS - Height of Suction Line (in.)	14-1/2	14-1/2
Connection - Liquid Line	3/8	3/8
Connection - Suction Line	3/4	3/4
Metering Orifice Size (in.)	0.061	0.067
Nominal Airflow (CFM) (Lower Tonnage)	525	1,200
Nominal Airflow (CFM) (Higher Tonnage)	950	
Pressure Drop at nom airflow (in. wc) (Lower Tonnage)	0.09	0.27
Pressure Drop at nom airflow (in. wc) (Higher Tonnage)	0.26	

Coil Model C8QA	024-B	030-B	036-B
Face Area (ft ²)	3.43	3.43	3.43
Fins per inch	20	20	18
W - Width (in.)	18-1/8	18-1/8	18-1/8
H - Height (in.)	18	18	18
HL - Height of Liquid Line (in.)	12-1/8	12-1/8	12-1/8
HS - Height of Suction Line (in.)	14-1/2	14-1/2	14-1/2
Connection - Liquid Line	3/8	3/8	3/8
Connection - Suction Line	3/4	3/4	3/4
Metering Orifice Size (in.)	0.055	0.061	0.067
Nominal Airflow (CFM)	825	950	1,200
Pressure Drop at nom airflow (in. wc)	0.17	0.26	0.27



NORDYNE

COMPLETE COMFORT. GENUINE VALUE.

8000 Phoenix Parkway | O'Fallon, MO 63368-3827

Specifications and illustrations subject to change without notice and without incurring obligations. Printed in U.S.A (09/2013)

860D-0913 (Replaces 860D-0412)