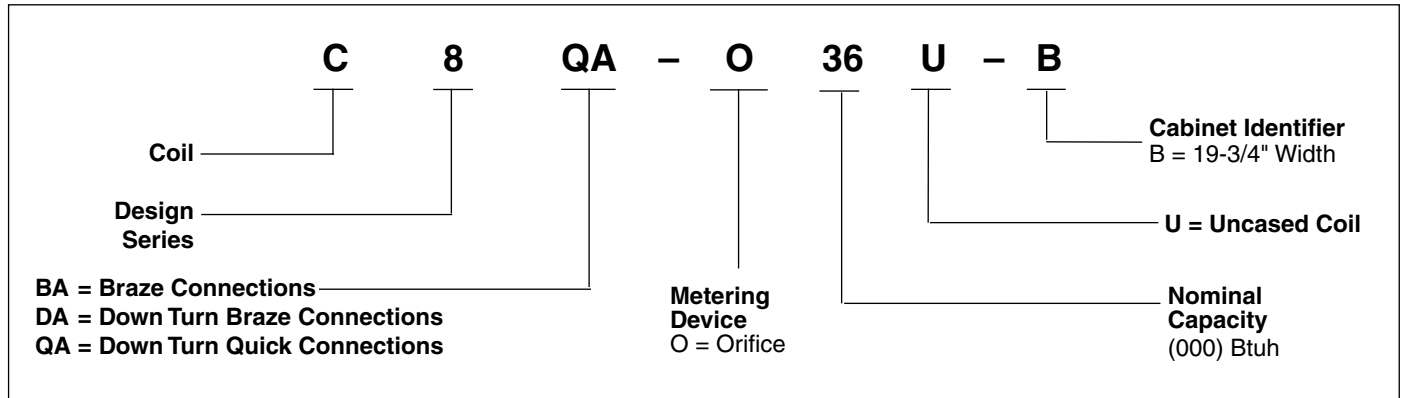


**TECHNICAL  
SPECIFICATIONS**

# C8 Manufactured Housing Indoor Coils

## MODEL IDENTIFICATION CODE



### Drain Pan—Bottom View

Dimension	"B" Cabinet 24-48
<b>W</b>	18 1/8
<b>B</b>	10 5/8

See Figure 1.

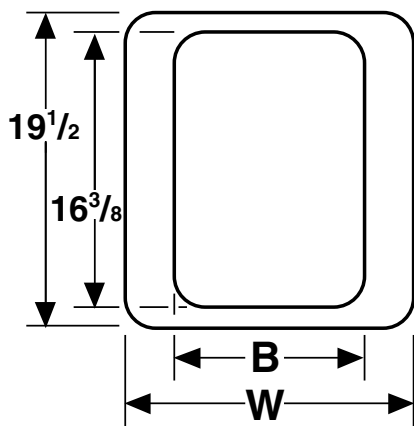
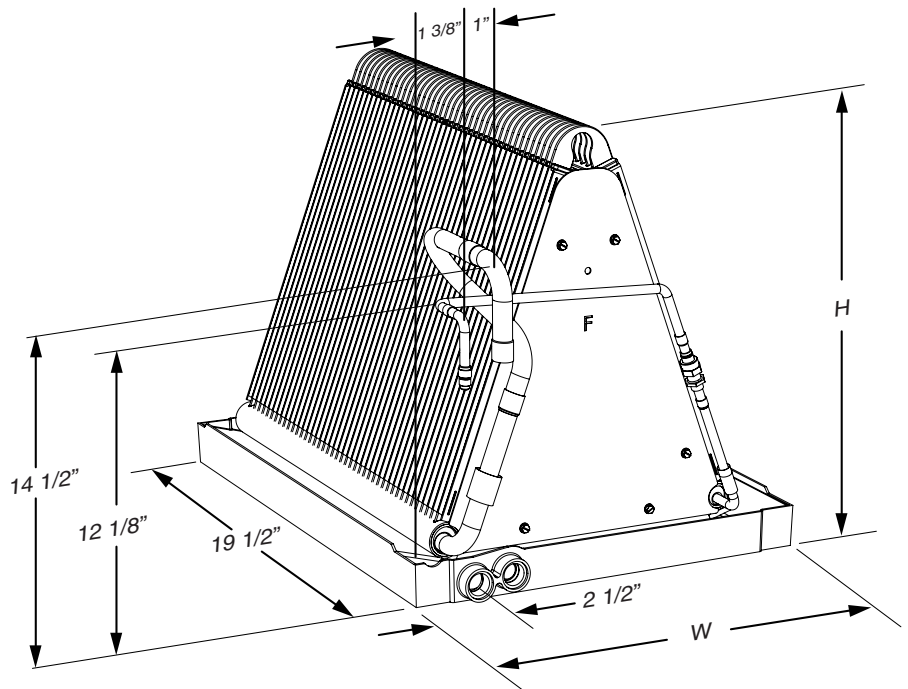


Figure 1. Drain Pan Dimensions



### TXV Kits

920662A	R-22 2.0T
920663A	R-22 2.5T
920664A	R-22 3.0T
920665A	R-22 3.5T
920666A	R-22 4.0T
920667A	R-22 5.0T
920668A	R-410a 2.0T
920669A	R-410a 2.5T
920670A	R-410a 3.0T
920671A	R-410a 3.5T
920672A	R-410a 4.0T
920673A	R-410a 5.0T

### Tube Kits

921732	Kit, REPL Tube A18
921733	Kit, REPL Tube B18
921734	Kit, REPL Tube B24
921735	Kit, REPL Tube C24
921736	Kit, REPL Tube C28

# TXV COIL DATA TABLE

Coil Model C8BA	01830-B	036-B	042-B
Face Area (ft <sup>2</sup> )	3.43	3.43	4.87
Fins per inch	20	18	20
W - Width (in.)	18-1/8	18-1/8	18-1/8
H - Height (in.)	18	18	24-3/4
HL - Height of Liquid Line (in.)	12-1/8	12-1/8	12-1/8
HS - Height of Suction Line (in.)	14-1/2	14-1/2	14-1/2
Connection - Liquid Line	3/8	3/8	3/8
Connection - Suction Line	3/4	3/4	7/8
Horizontal Drain Kit	920265	920265	920266
Metering Orifice Size (in.)	0.061	0.067	0.071
Nominal Airflow (CFM) (Lower Tonnage)	525	1,200	1,350
Nominal Airflow (CFM) (Higher Tonnage)	950		
Pressure Drop at nom airflow (in. wc) (Lower Tonnage)	0.09	0.27	0.27
Pressure Drop at nom airflow (in. wc) (Higher Tonnage)	0.26		

Coil Model C8DA	01830-B	036-B	042-B
Face Area (ft <sup>2</sup> )	3.43	3.43	4.87
Fins per inch	20	18	20
W - Width (in.)	18-1/8	18-1/8	18-1/8
H - Height (in.)	18	18	24-3/4
HL - Height of Liquid Line (in.)	12-1/8	12-1/8	12-1/8
HS - Height of Suction Line (in.)	14-1/2	14-1/2	14-1/2
Connection - Liquid Line	3/8	3/8	3/8
Connection - Suction Line	3/4	3/4	7/8
Metering Orifice Size (in.)	0.061	0.067	0.071
Nominal Airflow (CFM) (Lower Tonnage)	525	1,200	1,350
Nominal Airflow (CFM) (Higher Tonnage)	950		
Pressure Drop at nom airflow (in. wc) (Lower Tonnage)	0.09	0.27	0.27
Pressure Drop at nom airflow (in. wc) (Higher Tonnage)	0.26		

Coil Model C8QA	024-B	030-B	036-B	042-B
Face Area (ft <sup>2</sup> )	3.43	3.43	3.43	4.87
Fins per inch	20	20	18	20
W - Width (in.)	18-1/8	18-1/8	18-1/8	18-1/8
H - Height (in.)	18	18	18	24-3/4
HL - Height of Liquid Line (in.)	12-1/8	12-1/8	12-1/8	12-1/8
HS - Height of Suction Line (in.)	14-1/2	14-1/2	14-1/2	14-1/2
Connection - Liquid Line	3/8	3/8	3/8	3/8
Connection - Suction Line	3/4	3/4	3/4	3/4
Metering Orifice Size (in.)	0.055	0.061	0.067	0.072
Nominal Airflow (CFM)	825	950	1,200	1,350
Pressure Drop at nom airflow (in. wc)	0.17	0.26	0.27	0.27



## NORDYNE

COMPLETE COMFORT. GENUINE VALUE.

8000 Phoenix Parkway | O'Fallon, MO 63368-3827

Specifications and illustrations subject to change without notice and without incurring obligations. Printed in U.S.A (04/2012)

860D-0412 (Replaces 860D-0112)