

## R104GD Series

### Single Packaged Gas/Electric Units 13.4 SEER2, 10.6 EER2, 81% AFUE 2 Ton thru 5 Ton Units

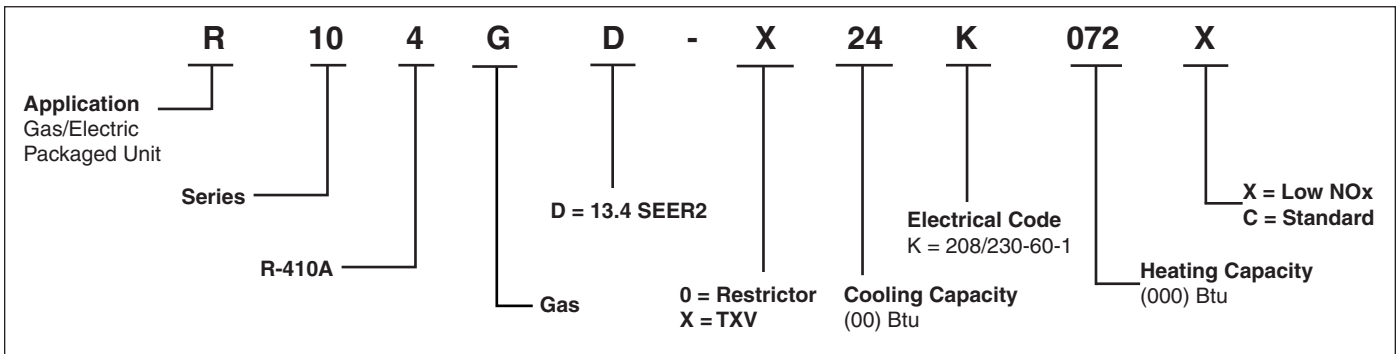
The R104GD Series single packaged gas/electric units are high efficiency self contained heating and cooling systems that can be installed on the roof or on a slab. The convertible unit design makes installations simple in all applications. Units are ETL and ETLc listed.



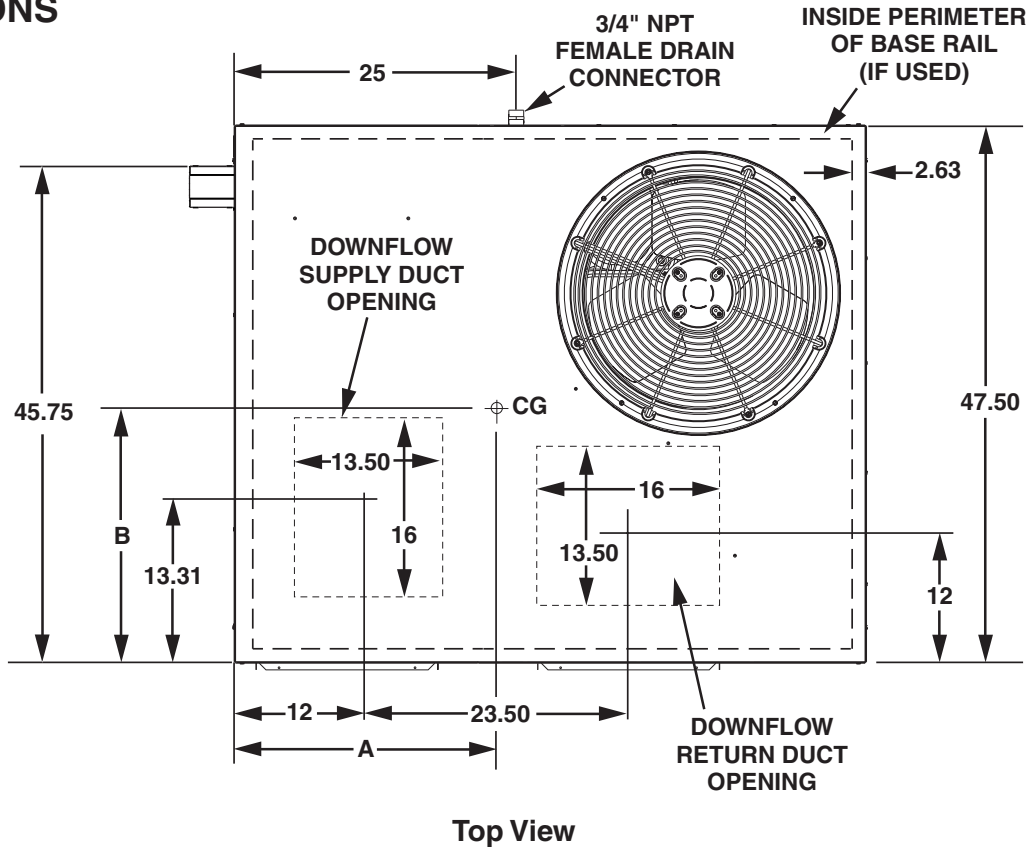
### FEATURES and BENEFITS

- **Energy-efficient:** R-410A Refrigerant.
- **Quality Compressor:** State of the art Copeland Scroll compressor is standard equipment.
- **Proven, Industry Standard Components:** Easier service and availability.
- **High and Low Pressure Switch:** Added compressor protection.
- **Aluminum Coils:** Both indoor and outdoor all aluminum coils are designed to optimize heat transfer, minimize size and cost, and increase durability and reliability.
- **Liquid Line Filter Drier:** Factory installed at a convenient location for service.
- **Externally Accessible Service Ports:** Quick access to refrigerant system without disrupting operation.
- **Compact Footprint/Low Profile:** Easy to handle and transport.
- **Heavy-Gauge Full Perimeter Base Rails:** Facilitates forklift handling and curb mounting.
- **ECM Blower Motor:** Constant torque in all models.
- **Convertible Air Delivery:** Horizontal or downflow to accommodate rooftop or horizontal application.
- **Galvanized Steel Cabinet:** Polyurethane finish provides 950 hour salt spray protection to resist corrosion.
- **Wire Guard Coated with Earth Friendly Epoxy and Mesh Hail Guard:** Will never rust and protect the coil from being damaged by balls, lawnmowers, hail etc.
- **Access to Controls and Major Components:** Easy in and out service.
- **Low Voltage Transformer:** Includes 3 Amp fuse to protect low voltage circuit.
- **Corrosion-Resistant Drain Pan:** Quickly drains away evaporator condensate.
- **One Piece Top for Great Fit and Finish, Total Seal:** Well designed, quality construction. Drip edge on top panels whisks away rainwater. Embossed bottom pan keeps blower component compartment dry.
- **Quiet Operation:** Low vibration fan blade combined with custom venturi condenser fan.
- **SmartLite<sup>®</sup> Control Board:** Provides extended life to igniters using hot surface ignition technology. Programmed to learn the heat-up characteristics of the igniter, then adapt the ignition time to the characteristics of the furnace so the igniter is energized appropriately.
- **Hot Surface igniter:** Innovative application of an appliance type igniter with a 20 year history of reliability.
- **Accessories:** Roof curbs and more.

# MODEL IDENTIFICATION CODE



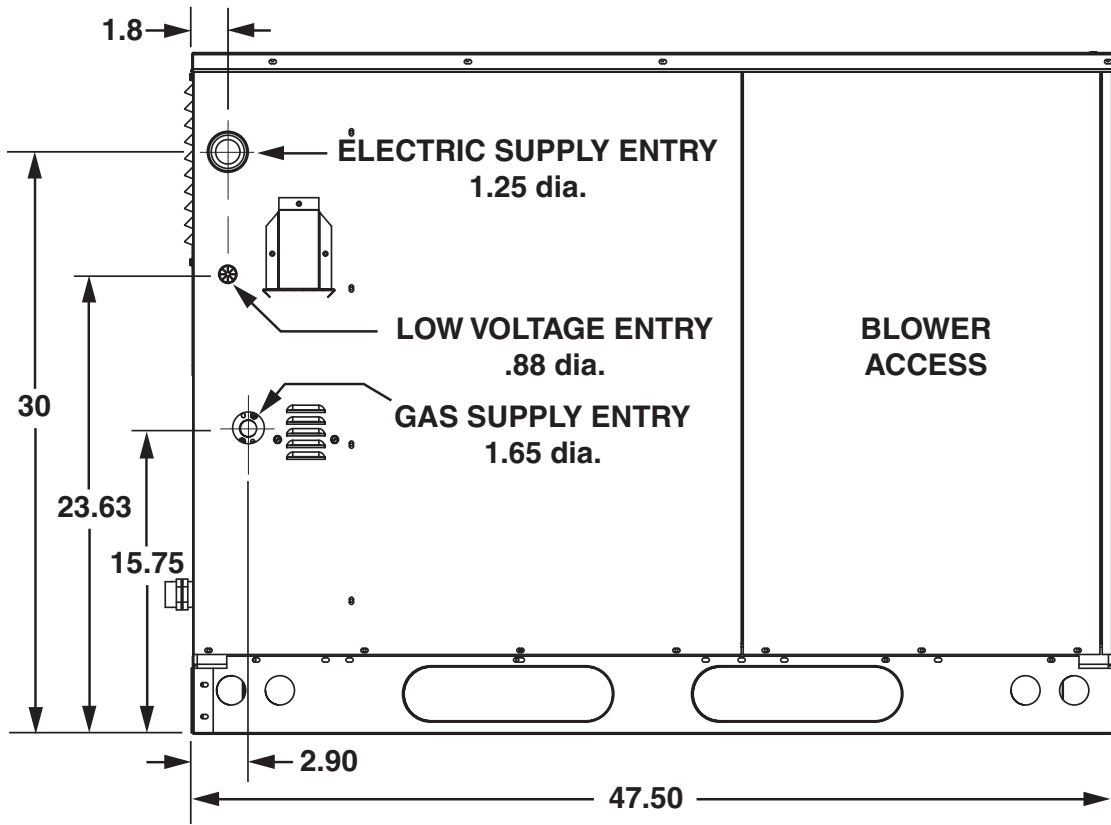
# DIMENSIONS



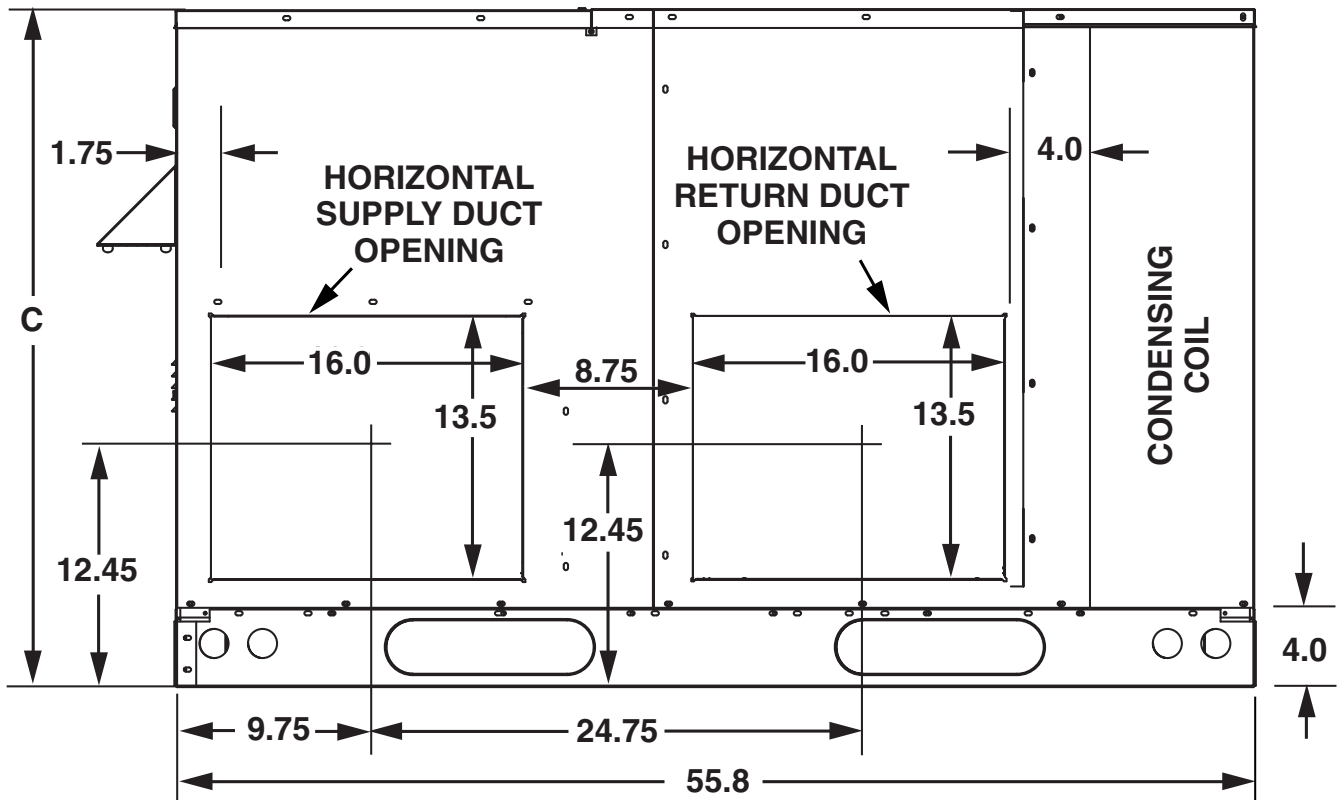
Model Number R104GD	Shipping Weight	Center of Gravity		Height in inches (C)	
		A	B	with base rails	without base rails
024K045†	413	26.5	26.5	35.0	31.3
024K072†	421	26.0	26.5	35.0	31.3
030K045†	414	26.5	26.5	35.0	31.3
030K072†	422	26.0	26.5	35.0	31.3
036K072†	419	26.5	26.5	35.0	31.3
036K096†	427	26.5	26.5	35.0	31.3
042K072†	453	27.0	26.5	39.0	35.3
042K096†	461	27.0	26.5	39.0	35.3
048K096†	470	27.5	26.5	39.0	35.3
048K120†	478	27.5	26.5	39.0	35.3
X60K096†	489	27.5	26.5	43.0	39.3
X60K120†	497	27.5	26.5	43.0	39.3

† Denotes "C" or "X"

# DIMENSIONS (Continued)



Side View



Back View

# SPECIFICATIONS AND ELECTRICAL DATA

## SINGLE PHASE

MODEL R104GD	024K*	030K	036K	042K	048K	X60K
Capacity-Cooling Btuh	24,000	29,000	35,200	41,000	47,500	58,500
<b>Electrical Rating - 60 Hz</b>						
Phase	1	1	1	1	1	1
Operating Voltage Range	187 - 253	187 - 253	187 - 253	187 - 253	187 - 253	187 - 253
Minimum Circuit Ampacity	20.8*	24.9	30.1	32	37.2	45.1
Max. Overcurrent Protection	30*	40	45	50	60	70
<b>Compressor Data</b>						
Volts	208 / 230	208 / 230	208 / 230	208 / 230	208 / 230	208 / 230
Lock Rotor Amps	58.3	73	79	117	117	134
<b>Indoor Blower</b>						
Motor HP	1/2	1/2	3/4	3/4	3/4	1
Motor Amps	3.8	3.6	5.4	5.0	5.0	7.0
<b>Outdoor Fan</b>						
Motor HP	1/5	1/4	1/4	1/4	1/4	1/4
<b>Refrigerant Charge (oz)</b>	57	58.5	57	59	78.3	72
<b>Sound Rating</b>	71	76	78	78	77	78

\*With Power Exhaust MCA = 23.6 and MOP = 35

	Heating	Heating
R104GD	Input Btu/h	Output Btu/h
024K045	45,000	36,450
024K072	72,000	58,320
030K045	45,000	36,450
030K072	72,000	58,320
036K072	72,000	58,320
036K096	96,000	77,760
042K072	72,000	58,320
042K096	96,000	77,760
048K096	96,000	77,760
048K120	120,000	97,200
X60K096	96,000	77,760
X60K120	120,000	97,200

SKU	Description
1036038V	R104GD-024K045C
1036039V	R104GD-024K072C
1036040V	R104GD-030K045C
1036041V	R104GD-030K072C
1036042V	R104GD-036K072C
1036043V	R104GD-036K096C
1036044V	R104GD-042K072C
1036045V	R104GD-042K096C
1036046V	R104GD-048K096C
1036047V	R104GD-048K120C
1036048V	R104GD-X60K096C
1036049V	R104GD-X60K120C

# AIRFLOW DATA

MODEL NUMBER R104GD	HEATING INPUT (Btu/h)	HEATING OUTPUT (Btu/h)	HEATING RISE RANGE	MOTOR TAP	EXTERNAL STATIC PRESSURE DROP - INCHES WATER COLUMN																
					0.1		0.2		0.3		0.4		0.5		0.6		0.7		0.8		
					(CFM)	(°F) RISE	(CFM)	(°F) RISE	(CFM)	(°F) RISE	(CFM)	(°F) RISE	(CFM)	(°F) RISE	(CFM)	(°F) RISE	(CFM)	(°F) RISE	(CFM)	(°F) RISE	
024K045C	45,000	36,000	30-60	Tap T1	949	36	895	39	839	41	765	45	708	49	658	53	602	57	546	63	
				Tap T2	949	36	895	39	839	41	765	45	708	49	658	53	602	57	546	63	
				Tap T3**	949	36	895	39	839	41	765	45	708	49	658	53	602	57	546	63	
				Tap T4																	
				Tap T5																	
024K072C	72,000	57,600	40-70	Tap T1	949	58	895	62	839	66	765	72	708	78	658	84	602	92	546	101	
				Tap T2	949	58	895	62	839	66	765	72	708	78	658	84	602	92	546	101	
				Tap T3	1184	47	1110	50	1045	53	982	56	913	61	845	65	781	71	704	79	
				Tap T4**	1316	42	1263	44	1187	47	1128	49	1065	52	987	56	943	59	885	63	
				Tap T5																	
030K045C	45,000	36,000	30-60	Tap T1	949	36	895	39	839	41	765	45	708	49	658	53	602	57	546	63	
				Tap T2**	949	36	895	39	839	41	765	45	708	49	658	53	602	57	546	63	
				Tap T3																	
				Tap T4																	
				Tap T5																	
030K072C	72,000	57,600	40-70	Tap T1	949	58	895	62	839	66	765	72	708	78	658	84	602	92	546	101	
				Tap T2	1043	53	959	58	904	61	824	67	759	73	701	79	634	87	577	96	
				Tap T3**	1316	42	1263	44	1187	47	1128	49	1065	52	987	56	943	59	885	63	
				Tap T4																	
				Tap T5																	
036K072C	72000	57600	40-70	Tap T1	1218	45	1031	54	944	59	868	64	782	71	710	78	643	86	583	95	
				Tap T2**	1268	44	1207	46	1138	49	1048	53	982	56	918	60	832	67	785	70	
				Tap T3																	
				Tap T4																	
				Tap T5																	
036K096C	96,000	76,800	45-75	Tap T1	1360	54	1298	57	1235	60	1160	64	1085	68	1048	70	970	76	910	81	
				Tap T2	1360	54	1298	57	1235	60	1160	64	1085	68	1048	70	970	76	910	81	
				Tap T3**	1535	48	1470	50	1405	53	1345	55	1285	57	1228	60	1170	63	1110	66	
				Tap T4																	
				Tap T5																	
042K072C	72,000	57,600	35-65	Tap T1	1218	45	1031	54	944	59	868	64	782	71	710	78	643	86	583	95	
				Tap T2 **	1268	44	1207	46	1138	49	1048	53	982	56	918	60	845	65	785	70	
				Tap T3																	
				Tap T4																	
				Tap T5																	
042K096C	96,000	76,800	35-65	Tap T1	1218	61	1031	72	944	78	868	85	782	94	710	104	643	115	583	127	
				Tap T2	1489	50	1439	51	1381	53	1319	56	1253	59	1172	63	1090	68	1019	72	
				Tap T3	1715	43	1660	44	1599	46	1540	48	1480	50	1430	52	1365	54	1305	57	
				Tap T4 **	1788	41	1740	42	1692	44	1633	45	1574	47	1511	49	1449	51	1389	53	
				Tap T5																	

\*\* Denotes factory set heating speed  
 Tap 1 is fan only  
 Data is shown without a filter  
 Heat rise: Btu/h (Input) = CFM \* Δ T \* 1.08  
 $\Delta T = (\text{Btu/h} * 0.83) / (\text{CFM} * 1.08)$

To comply with government mandated efficiency standards, two openings are required for airflows above 1,600 CFM.  
 Temperature rises in the table are approximate. Actual temperature rises may vary.  
 Individual cells shaded in gray indicate a temperature rise outside the recommended range.  
 To comply with government mandated efficiency standards, speed settings which do not have data are not allowed in HEAT mode.

# EXPANDED RATINGS

## R104GD-024K

O.D.T			65°F			75°F			85°F			95°F			105°F			115°F		
CFM	E.D.B.	E.W.B.	T.C.	S.C.	K.W.	T.C.	S.C.	K.W.	T.C.	S.C.	K.W.	T.C.	S.C.	K.W.	T.C.	S.C.	K.W.	T.C.	S.C.	K.W.
750	80	62	25.6	22.0	1.44	24.8	21.9	1.57	23.6	21.4	1.74	22.1	20.6	1.92	20.2	19.5	2.14	17.9	17.9	2.38
	80	67	27.7	17.7	1.45	26.6	17.7	1.59	25.2	17.4	1.76	23.4	16.7	1.96	21.2	15.7	2.18	18.7	14.4	2.42
	80	72	30.7	14.3	1.45	29.3	14.5	1.60	27.6	14.4	1.78	25.5	13.9	1.99	23.1	13.1	2.22	20.3	12.0	2.47
	75	63	26.9	17.6	1.43	25.7	17.6	1.57	24.0	17.3	1.74	22.0	16.6	1.94	19.7	15.6	2.16	17.0	14.2	2.40
	75	62	26.6	18.5	1.42	25.4	18.4	1.56	23.8	18.0	1.73	21.9	17.3	1.92	19.6	16.3	2.14	17.0	14.9	2.38
850	80	62	27.0	23.2	1.46	26.3	23.2	1.60	25.3	22.9	1.76	24.0	22.3	1.95	22.2	21.3	2.16	20.2	20.0	2.40
	80	67	28.9	18.9	1.47	27.9	19.0	1.62	26.7	18.9	1.78	25.0	18.4	1.98	23.0	17.6	2.20	20.7	16.5	2.44
	80	72	31.5	15.6	1.48	30.4	15.9	1.63	28.8	16.0	1.81	26.9	15.7	2.01	24.6	15.0	2.24	22.0	14.1	2.49
	75	63	27.5	18.6	1.47	26.3	18.8	1.61	24.9	18.6	1.77	23.1	18.1	1.97	20.9	17.3	2.18	18.3	16.1	2.43
	75	62	27.2	19.5	1.46	26.1	19.6	1.60	24.7	19.4	1.76	23.0	18.8	1.95	20.8	18.0	2.17	18.4	16.8	2.41
950	80	62	26.3	22.7	1.52	25.8	22.9	1.65	24.9	22.7	1.81	23.7	22.3	2.00	22.2	21.5	2.21	20.3	20.3	2.45
	80	67	27.9	18.4	1.53	27.1	18.7	1.67	26.0	18.7	1.84	24.5	18.4	2.03	22.7	17.8	2.25	20.5	16.9	2.50
	80	72	30.3	15.1	1.54	29.3	15.7	1.69	27.9	15.8	1.86	26.1	15.7	2.06	24.0	15.3	2.29	21.6	14.5	2.54
	75	63	25.9	17.9	1.53	24.9	18.3	1.67	23.6	18.3	1.83	21.9	17.9	2.03	19.9	17.3	2.24	17.6	16.3	2.48
	75	62	25.7	18.8	1.52	24.8	19.1	1.66	23.5	19.0	1.82	21.9	18.6	2.01	19.9	18.0	2.23	17.6	16.9	2.47

## R104GD-030K

O.D.T			65°F			75°F			85°F			95°F			105°F			115°F		
CFM	E.D.B.	E.W.B.	T.C.	S.C.	K.W.	T.C.	S.C.	K.W.	T.C.	S.C.	K.W.	T.C.	S.C.	K.W.	T.C.	S.C.	K.W.	T.C.	S.C.	K.W.
1000	80	62	30.7	25.8	1.76	29.4	25.4	1.92	27.8	24.8	2.10	25.9	23.8	2.32	23.7	22.6	2.57	21.1	21.0	2.84
	80	67	33.9	21.2	1.76	32.5	21.3	1.93	30.8	21.0	2.13	28.7	20.4	2.35	26.3	19.6	2.61	23.6	18.4	2.89
	80	72	35.5	16.5	1.78	33.9	16.9	1.96	32.0	17.0	2.16	29.8	16.8	2.40	27.3	16.3	2.66	24.4	15.6	2.96
	75	63	31.2	20.5	1.76	29.9	20.4	1.92	28.2	20.0	2.11	26.2	19.4	2.33	23.9	18.4	2.58	21.3	17.2	2.85
	75	62	30.6	21.4	1.76	29.3	21.2	1.92	27.7	20.8	2.11	25.7	20.0	2.33	23.4	19.0	2.57	20.8	17.7	2.84
1100	80	62	32.3	27.9	1.83	31.0	27.5	1.99	29.4	26.8	2.18	27.5	25.8	2.40	25.3	24.5	2.64	22.7	22.7	2.91
	80	67	35.0	22.7	1.84	33.6	22.7	2.00	31.8	22.4	2.20	29.8	21.8	2.43	27.4	20.8	2.68	24.7	19.6	2.96
	80	72	36.0	17.3	1.85	34.4	17.7	2.03	32.5	17.8	2.24	30.4	17.5	2.47	27.8	17.0	2.74	25.0	16.1	3.03
	75	63	32.3	22.2	1.83	31.0	22.1	1.99	29.3	21.7	2.18	27.4	21.0	2.40	25.1	19.9	2.65	22.5	18.6	2.92
	75	62	31.8	23.3	1.83	30.5	23.1	1.99	28.9	22.6	2.18	27.0	21.8	2.40	24.7	20.7	2.64	22.1	19.3	2.91
1200	80	62	33.1	29.5	1.92	31.9	29.0	2.07	30.3	28.3	2.26	28.4	27.2	2.48	26.2	25.8	2.72	23.7	23.7	2.99
	80	67	35.2	23.7	1.91	33.8	23.6	2.08	32.1	23.2	2.28	30.1	22.5	2.51	27.8	21.5	2.76	25.1	20.2	3.04
	80	72	35.7	17.7	1.93	34.1	18.0	2.11	32.3	18.0	2.32	30.1	17.7	2.55	27.6	17.0	2.81	24.8	16.1	3.11
	75	63	32.6	23.5	1.91	31.3	23.3	2.07	29.7	22.8	2.26	27.8	22.0	2.47	25.5	20.9	2.72	22.9	19.6	2.99
	75	62	32.2	24.7	1.91	31.0	24.4	2.07	29.4	23.8	2.26	27.5	23.0	2.47	25.2	21.8	2.72	22.7	20.3	2.99

## R104GD-036K

O.D.T			65°F			75°F			85°F			95°F			105°F			115°F		
CFM	E.D.B.	E.W.B.	T.C.	S.C.	K.W.	T.C.	S.C.	K.W.	T.C.	S.C.	K.W.	T.C.	S.C.	K.W.	T.C.	S.C.	K.W.	T.C.	S.C.	K.W.
1050	80	62	36.8	31.1	2.14	35.2	30.1	2.35	33.4	29.1	2.59	31.3	28.0	2.86	29.1	26.9	3.17	26.7	25.7	3.51
	80	67	41.3	26.4	2.17	39.5	25.7	2.38	37.6	24.9	2.63	35.5	24.1	2.91	33.1	23.2	3.22	30.6	22.2	3.58
	80	72	43.1	19.7	2.17	41.3	19.3	2.39	39.2	18.7	2.65	37.0	18.1	2.93	34.5	17.4	3.26	31.9	16.7	3.62
	75	63	37.5	25.1	2.14	35.5	24.2	2.35	33.4	23.3	2.59	31.1	22.4	2.86	28.5	21.3	3.17	25.8	20.2	3.51
	75	62	37.5	26.5	2.14	35.6	25.6	2.35	33.5	24.6	2.58	31.2	23.6	2.86	28.6	22.5	3.17	25.9	21.4	3.51
1200	80	62	37.5	32.8	2.22	35.8	31.8	2.42	33.9	30.8	2.66	31.8	29.7	2.93	29.5	28.5	3.24	27.0	27.0	3.58
	80	67	41.0	27.3	2.24	39.2	26.5	2.45	37.2	25.7	2.70	35.0	24.8	2.98	32.6	23.9	3.29	30.0	22.9	3.64
	80	72	42.0	19.6	2.24	40.1	19.1	2.46	38.0	18.6	2.71	35.6	17.9	3.00	33.1	17.2	3.32	30.4	16.4	3.67
	75	63	37.6	26.3	2.22	35.6	25.4	2.42	33.4	24.5	2.66	31.0	23.4	2.93	28.3	22.4	3.24	25.5	21.2	3.58
	75	62	37.8	27.9	2.22	35.8	26.9	2.43	33.6	25.9	2.66	31.2	24.9	2.93	28.6	23.8	3.24	25.8	22.6	3.58
1350	80	62	40.0	35.3	2.30	38.3	34.3	2.50	36.3	33.2	2.74	34.1	32.0	3.01	31.8	30.8	3.31	29.2	29.2	3.65
	80	67	42.7	28.8	2.32	40.8	28.0	2.53	38.8	27.2	2.77	36.5	26.3	3.05	34.0	25.3	3.36	31.3	24.3	3.71
	80	72	42.7	20.3	2.32	40.7	19.7	2.53	38.6	19.1	2.78	36.2	18.4	3.07	33.6	17.7	3.38	30.8	16.9	3.74
	75	63	39.5	28.2	2.31	37.5	27.3	2.51	35.2	26.3	2.74	32.7	25.3	3.01	30.0	24.2	3.32	27.1	23.0	3.66
	75	62	39.9	30.0	2.31	37.9	29.0	2.51	35.6	28.0	2.74	33.2	26.9	3.01	30.5	25.7	3.32	27.6	24.5	3.65

# EXPANDED RATINGS Continued

## R104GD-042K

CFM	O.D.T		65°F			75°F			85°F			95°F			105°F			115°F		
	E.D.B.	E.W.B.	T.C.	S.C.	K.W.	T.C.	S.C.	K.W.	T.C.	S.C.	K.W.	T.C.	S.C.	K.W.	T.C.	S.C.	K.W.	T.C.	S.C.	K.W.
750	80	62	45.9	38.5	2.54	43.0	37.1	2.91	40.0	35.7	3.27	37.1	34.3	3.63	34.2	32.8	4.00	31.2	31.2	4.36
	80	67	49.3	32.1	2.57	46.4	30.7	2.93	43.4	29.3	3.30	40.5	27.9	3.66	37.6	26.5	4.02	34.6	25.0	4.39
	80	72	52.7	25.7	2.60	49.8	24.3	2.96	46.8	22.9	3.32	43.9	21.5	3.69	41.0	20.1	4.05	38.0	18.6	4.41
	75	63	46.6	31.2	2.50	43.7	29.8	2.86	40.7	28.4	3.22	37.8	27.0	3.59	34.8	25.6	3.95	31.9	24.2	4.31
	75	62	45.9	32.5	2.49	43.0	31.1	2.85	40.0	29.7	3.22	37.1	28.3	3.58	34.2	26.9	3.94	31.2	25.5	4.31
850	80	62	46.7	40.1	2.67	43.7	38.7	3.03	40.8	37.3	3.40	37.9	35.9	3.76	34.9	34.5	4.12	32.0	32.0	4.49
	80	67	50.1	33.7	2.70	47.1	32.3	3.06	44.2	30.9	3.42	41.3	29.5	3.79	38.3	28.1	4.15	35.4	26.7	4.51
	80	72	53.5	27.3	2.73	50.5	25.9	3.09	47.6	24.5	3.45	44.7	23.1	3.81	41.7	21.7	4.18	38.8	20.3	4.54
	75	63	47.4	32.9	2.62	44.4	31.5	2.99	41.5	30.1	3.35	38.5	28.7	3.71	35.6	27.3	4.08	32.6	25.9	4.44
	75	62	46.7	34.2	2.62	43.7	32.8	2.98	40.8	31.4	3.34	37.9	29.9	3.71	34.9	28.5	4.07	32.0	27.1	4.43
950	80	62	47.3	41.0	2.77	44.3	39.6	3.13	41.4	38.2	3.50	38.5	36.8	3.86	35.5	35.4	4.22	32.6	32.6	4.58
	80	67	50.7	34.6	2.80	47.7	33.2	3.16	44.8	31.8	3.52	41.8	30.4	3.89	38.9	29.0	4.25	36.0	27.6	4.61
	80	72	54.1	28.2	2.82	51.1	26.8	3.19	48.2	25.4	3.55	45.2	24.0	3.91	42.3	22.6	4.28	39.4	21.2	4.64
	75	63	47.9	33.8	2.72	45.0	32.4	3.09	42.1	31.0	3.45	39.1	29.6	3.81	36.2	28.2	4.17	33.2	26.8	4.54
	75	62	47.3	35.1	2.72	44.3	33.7	3.08	41.4	32.3	3.44	38.4	30.8	3.81	35.5	29.4	4.17	32.6	28.0	4.53

## R104GD-048K

CFM	O.D.T		65°F			75°F			85°F			95°F			105°F			115°F		
	E.D.B.	E.W.B.	T.C.	S.C.	K.W.	T.C.	S.C.	K.W.	T.C.	S.C.	K.W.	T.C.	S.C.	K.W.	T.C.	S.C.	K.W.	T.C.	S.C.	K.W.
1000	80	62	50.1	40.6	2.85	48.6	40.4	3.14	46.5	39.8	3.49	43.7	38.7	3.90	40.2	37.3	4.37	36.1	35.5	4.90
	80	67	55.7	34.1	2.90	54.1	34.0	3.20	51.9	33.5	3.56	49.0	32.7	3.98	45.5	31.4	4.46	41.3	29.8	5.01
	80	72	56.5	25.9	2.91	54.9	25.9	3.22	52.6	25.6	3.60	49.7	24.9	4.03	46.1	23.8	4.52	41.9	22.3	5.07
	75	63	50.6	33.0	2.88	49.2	32.8	3.16	47.2	32.1	3.50	44.5	31.1	3.90	41.1	29.7	4.35	37.1	27.9	4.87
	75	62	49.5	34.4	2.90	48.1	34.2	3.18	46.1	33.5	3.52	43.4	32.4	3.91	40.1	31.0	4.37	36.1	29.2	4.88
1100	80	62	51.3	42.5	2.94	49.7	42.4	3.23	47.4	41.8	3.58	44.5	40.9	3.99	40.9	39.6	4.46	36.7	36.7	4.99
	80	67	56.2	35.2	2.99	54.5	35.2	3.29	52.2	34.8	3.65	49.2	34.0	4.07	45.5	32.9	4.55	41.2	31.3	5.09
	80	72	56.4	26.1	2.99	54.6	26.2	3.30	52.2	26.0	3.68	49.2	25.4	4.11	45.5	24.4	4.60	41.1	23.0	5.15
	75	63	51.5	34.2	2.99	50.0	34.0	3.27	47.9	33.5	3.61	45.0	32.6	4.00	41.6	31.3	4.46	37.5	29.5	4.98
	75	62	50.6	35.8	3.01	49.1	35.6	3.29	46.9	35.0	3.62	44.1	34.1	4.02	40.7	32.7	4.47	36.6	31.0	4.99
1200	80	62	53.0	44.7	3.11	51.2	44.6	3.40	48.8	44.2	3.75	45.8	43.3	4.16	42.1	42.1	4.63	37.7	37.7	5.16
	80	67	57.2	36.5	3.15	55.4	36.6	3.45	52.9	36.3	3.81	49.8	35.6	4.23	46.0	34.5	4.71	41.6	33.1	5.25
	80	72	56.6	26.6	3.15	54.8	26.8	3.46	52.3	26.7	3.83	49.1	26.1	4.26	45.3	25.2	4.76	40.8	23.9	5.31
	75	63	52.9	35.6	3.18	51.3	35.5	3.45	49.0	35.1	3.79	46.1	34.2	4.19	42.5	33.0	4.65	38.2	31.4	5.16
	75	62	52.1	37.4	3.20	50.5	37.3	3.47	48.2	36.8	3.81	45.3	35.9	4.20	41.7	34.6	4.66	37.5	33.0	5.18

## R104GD-060K

CFM	O.D.T		65°F			75°F			85°F			95°F			105°F			115°F		
	E.D.B.	E.W.B.	T.C.	S.C.	K.W.	T.C.	S.C.	K.W.	T.C.	S.C.	K.W.	T.C.	S.C.	K.W.	T.C.	S.C.	K.W.	T.C.	S.C.	K.W.
1050	80	62	63.1	51.0	3.67	59.2	48.9	4.21	55.3	46.8	4.76	51.3	44.7	5.30	47.4	42.6	5.84	43.5	40.5	6.39
	80	67	68.6	43.1	3.76	64.7	41.0	4.30	60.8	38.9	4.85	56.8	36.8	5.39	52.9	34.7	5.94	49.0	32.6	6.48
	80	72	74.1	35.2	3.85	70.2	33.1	4.40	66.2	31.0	4.94	62.3	28.9	5.48	58.4	26.9	6.03	54.4	24.8	6.57
	75	63	63.7	41.7	3.74	59.8	39.6	4.28	55.8	37.5	4.83	51.9	35.4	5.37	48.0	33.3	5.92	44.0	31.2	6.46
	75	62	62.6	43.2	3.72	58.7	41.1	4.27	54.7	39.0	4.81	50.8	37.0	5.35	46.9	34.9	5.90	42.9	32.8	6.44
1200	80	62	64.0	53.6	3.73	60.1	51.5	4.28	56.2	49.4	4.82	52.2	47.3	5.37	48.3	45.2	5.91	44.4	43.2	6.46
	80	67	69.5	45.7	3.83	65.6	43.6	4.37	61.6	41.5	4.91	57.7	39.5	5.46	53.8	37.4	6.00	49.8	35.3	6.55
	80	72	75.0	37.8	3.92	71.0	35.8	4.46	67.1	33.7	5.01	63.2	31.6	5.55	59.2	29.5	6.10	55.3	27.4	6.64
	75	63	64.6	44.3	3.81	60.6	42.2	4.35	56.7	40.1	4.90	52.8	38.0	5.44	48.8	35.9	5.98	44.9	33.8	6.53
	75	62	63.5	45.9	3.79	59.5	43.8	4.33	55.6	41.7	4.88	51.7	39.6	5.42	47.7	37.5	5.97	43.8	35.4	6.51
1350	80	62	65.8	55.2	3.86	61.9	53.1	4.41	57.9	51.1	4.95	54.0	49.0	5.50	50.1	46.9	6.04	46.1	44.8	6.59
	80	67	71.3	47.4	3.96	67.3	45.3	4.50	63.4	43.2	5.05	59.5	41.1	5.59	55.5	39.0	6.13	51.6	36.9	6.68
	80	72	76.7	39.5	4.05	72.8	37.4	4.59	68.9	35.3	5.14	65.0	33.2	5.68	61.0	31.1	6.23	57.1	29.0	6.77
	75	63	66.3	45.9	3.94	62.4	43.8	4.48	58.5	41.7	5.03	54.5	39.6	5.57	50.6	37.5	6.12	46.7	35.4	6.66
	75	62	65.2	47.5	3.92	61.3	45.4	4.46	57.4	43.3	5.01	53.4	41.2	5.55	49.5	39.1	6.10	45.6	37.0	6.64

# R104GD ACCESSORIES

Description	Part Number
Filter Rack Kit (not required with downflow economizer) 2 - 3 Ton (requires 2-16X25X1)	10079911R
Filter Rack Kit (not required with downflow economizer) 3.5 - 4 Ton (requires 2-18X25X1)	10079912R
Filter Rack Kit (not required with downflow economizer) 5 Ton (requires 2-14X25X1,1-12X20X1)	10079913R
U.S. - LP Gas/High Elevation Conversion Kit, 1 & 2 Stage models (0 - 10,000 ft. above sea level)	904404A
Canada - LP Gas/High Elevation Conversion Kit, 1 & 2 Stage models (0 - 4,500 ft. above sea level)	904405A
Universal Hard Start Kit	912933
Skirt Trim Kit	919729



## GENERAL TERMS OF LIMITED WARRANTY

Nortek Global HVAC, LLC will furnish a replacement for any part of this product which fails in normal use and service within the terms and conditions of the warranty.

For complete details of the Limited Warranty, including applicable terms and conditions, see your local installer or contact the Nortek Global HVAC, LLC warranty department for a copy.

Before purchasing this appliance, read important energy cost and efficiency information available from your retailer. Specifications and illustrations subject to change without notice and without incurring obligations. Printed in U.S.A (07/2022)