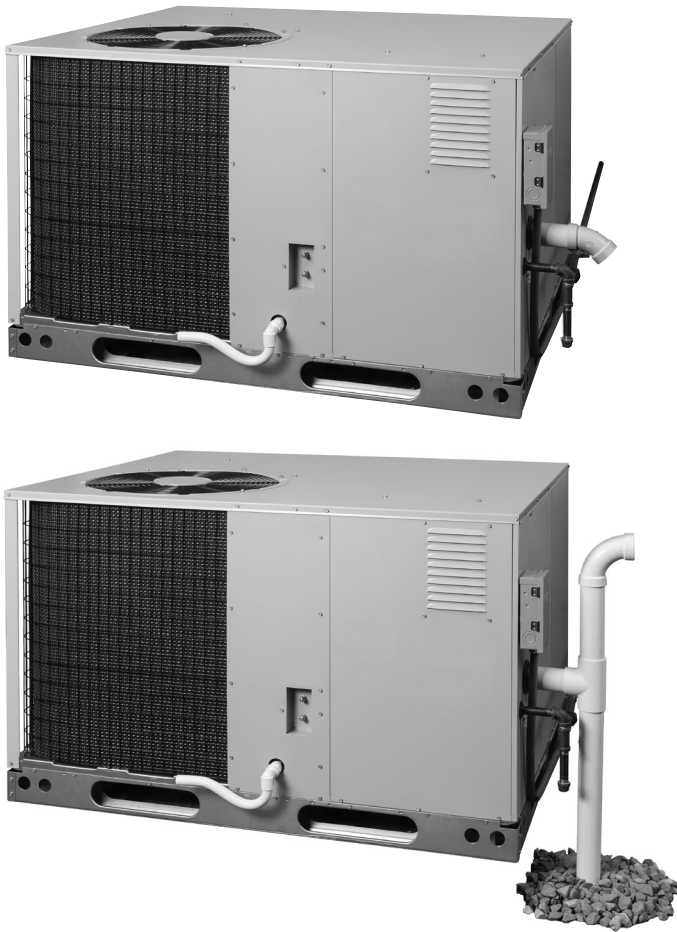


R104HD Series

Single-Phase

95% AFUE Condensing Heat Exchanger offering Two-Stage Heating and 13.4 SEER2 Single-Stage Cooling with ECM Blower

These single packaged gas/electrics are high efficiency self-contained heating and cooling units that can be installed at ground level on a slab. The unit design makes installations simple in all applications. Units are ETL and ETLc listed.

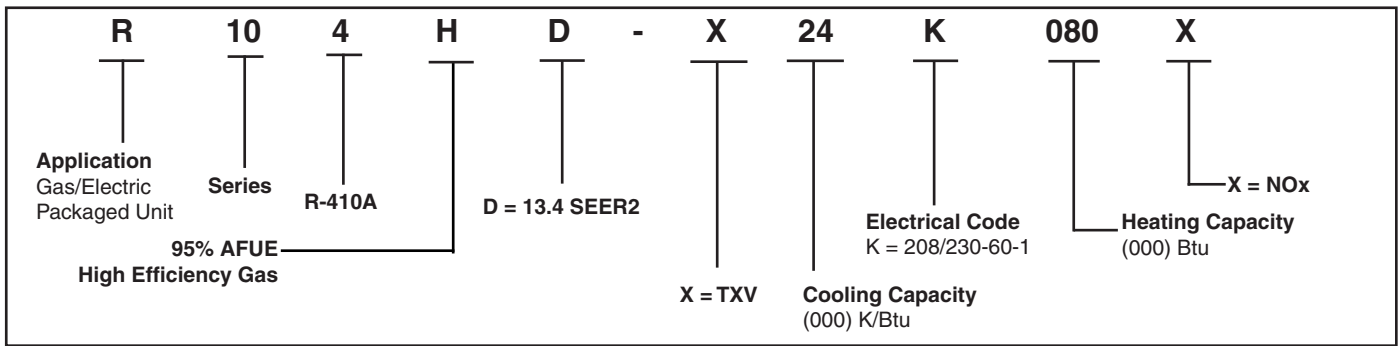


Click or scan with your smart phone to view a video with drain kit instructions for rooftop installations.

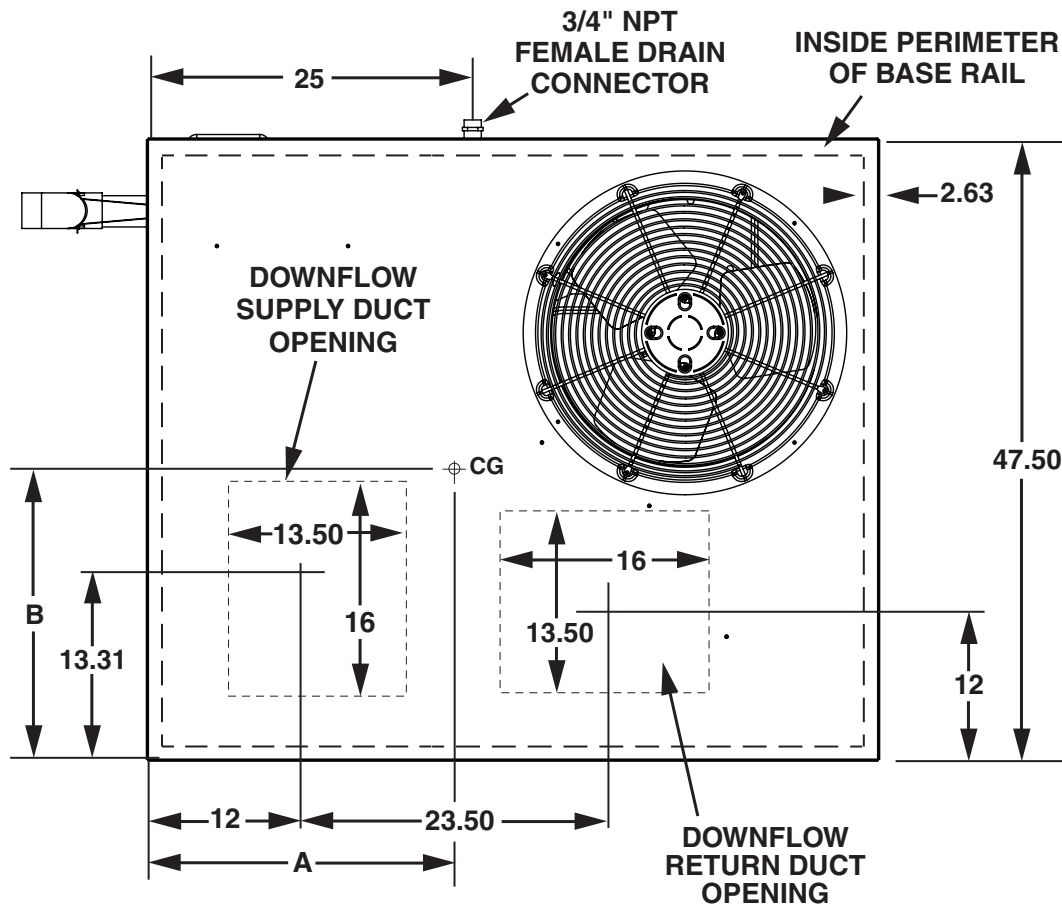
FEATURES and BENEFITS

- **Copeland Scroll Compressor:** State of the art compressor is standard equipment.
- **R-410A Refrigerant**
- **Micro-Channel Coils:** Both indoor and outdoor all aluminum coils are designed to optimize heat transfer, minimize size and cost, and increase durability and reliability.
- **Wire guard coated with earth friendly epoxy and plastic mesh hail guard:** A guard that will never rust and protects the units coil from being damaged.
- **Easy Compressor and Control Access:** Designed to make servicing easier for the contractor, access panels are provided to all controls and the compressor from the side of the unit. Easy access to the evaporator coil for cleaning and general maintenance.
- **Permanently Lubricated Condenser Motor:** A heavy duty PSC motor for long lasting reliability and quiet operation. Requires no maintenance and is completely protected from rain and snow.
- **Thermostatic Expansion Valves:** Factory installed externally equalized thermostatic expansion valves provides precise refrigerant control under varying load conditions.
- **Hi/Low Pressure Switches:** Ensure long compressor life.
- **Externally Accessible, Service Ports:** Quick access to refrigeration system.
- **Liquid Line Filter Driers:** Factory installed at a convenient location for service.
- **Quiet Operation and Low Vibration:** Swept-wing fan blade combined with custom Venturi condenser fan.
- **Two-Stage Heat Operation:** Featuring a two stage gas valve, 2 speed inducer motor, and 2 speed blower control.
- **Choice of Heating Control:** Two stage thermostat or single stage heating thermostat with control board timing of a 10 minute delay for second stage of heat.
- **Tubular primary heat exchanger:** Heavy gauge aluminized steel heat exchanger.
- **Stainless Steel secondary heat exchanger:** Assures a long life.
- **100% fired and tested:** All units and each component are tested on the manufacturing line.
- **30 second blower delay:** At start-up assures a warm duct temperature at start-up. Adjustable blower off settings (60, 90, 120, and 180 seconds).
- **30 second post purge:** Increases life of heat exchanger.
- **Hot Surface igniter:** Innovative application of an appliance type igniter with a 20 year history of reliability.
- **SmartLite[®] Control Board:** Provides extended life to igniters using hot surface ignition technology. Programmed to learn the heat-up characteristics of the igniter, then adapt the ignition time to the characteristics of the furnace so the igniter is energized appropriately.
- **LP Convertible:** Simple burner orifice and regulator spring change for ease of convertibility.
- **Designed using Galvanized Steel:** With a polyester urethane coat finish. The 950 hour salt spray finish is 1.5 mil thick and resists corrosion 50% better than comparable units.
- **Corrosion-Resistant Drain Pan:** Quickly drains away evaporator condensate.
- **Embossed Bottom Pan:** Keeps blower component compartment dry.
- **Smaller Panels, Great Fit and Finish, Total Seal:** Well-designed, quality construction.
- **One Piece Top Pan:** With drip edge on top panels whisks away rainwater.
- **Low Voltage Transformer:** Includes 5 Amp fuse to protect low voltage circuit.
- **Energy Efficient Brushless DC Blower Motor:** ECM constant torque in all models.
- **Horizontal Air Delivery:** To accommodate ground mount horizontal applications.
- **Heavy-Gauge, Full Perimeter Base Rails:** Facilitates forklift handling and curb mounting.
- **Removable Top Grille Assembly:** Allows ease of service to the fan motor.
- **Duct Flanges:** Reduce installation costs.
- **Proven, Industry Standard Components:** Easier service and availability.

MODEL IDENTIFICATION CODE



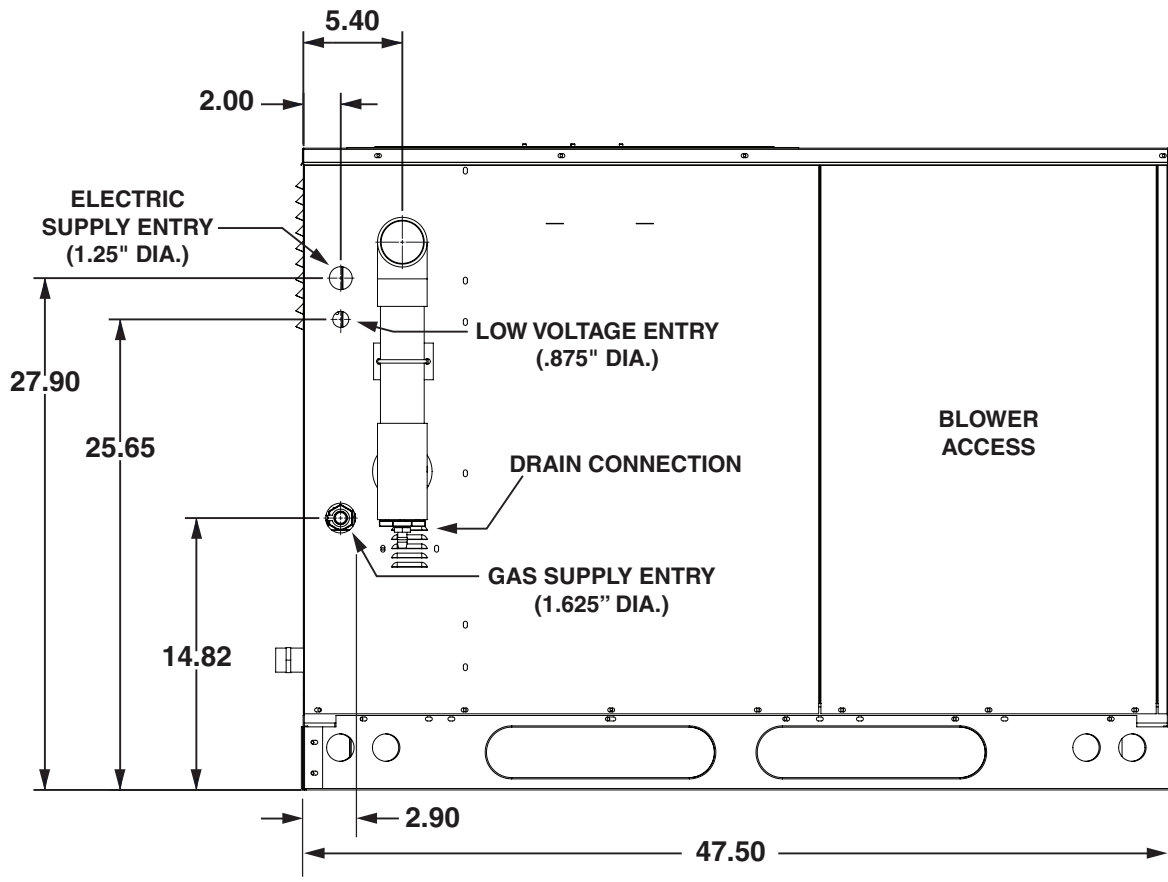
DIMENSIONS



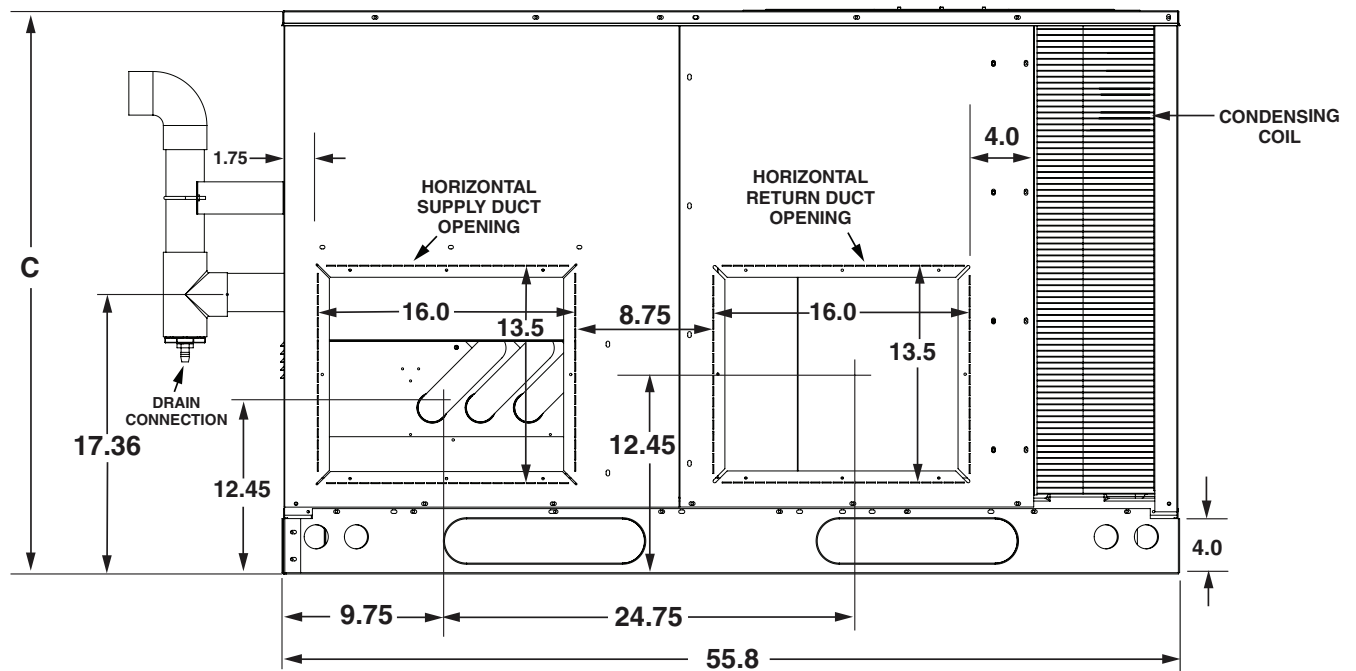
Top View

Model Number R104HD	Shipping Weight	Center of Gravity		Unit Dimensions (inches)		
		A	B	Height with base rail	Length	Width
R104HD-X24K060C	410	26.5	26.5	35	55.8	47.5
R104HD-X30K060C	414	26.5	26.5	35	55.8	47.5
R104HD-X36K080C	417	26.5	26.5	35	55.8	47.5
R104HD-X42K080C	438	27.0	26.5	39	55.8	47.5
R104HD-X48K096C	480	27.5	26.5	43	55.8	47.5
R104HD-X60K096C	518	28.0	26.5	47	55.8	47.5

DIMENSIONS (Continued)



Side View



Back View

SPECIFICATIONS AND ELECTRICAL DATA

SINGLE PHASE

Model R104HD-	X24K060C	X30K060C	X36K080C	X42K080C	X48K096C	X60K096C
Performance Data						
Cooling Capacity (Net) - (Btuh) ⁽¹⁾	24,000	28,600	34,600	41,000	47,000	57,000
Efficiency - Cooling - SEER2 ⁽¹⁾	13.40	13.40	13.40	13.40	13.40	13.40
Efficiency - Cooling - EER2 ⁽²⁾	10.60	10.60	10.60	10.60	10.60	10.60
High Heating Input (Btuh)	60,000	60,000	80,000	80,000	96,000	96,000
High Heating Output (Btuh)	57,000	57,000	76,000	76,000	91,200	91,200
Low Heating Input (Btuh)	39,000	39,000	52,000	52,000	62,400	62,400
Low Heating Output (Btuh)	37,050	37,050	49,400	49,400	59,280	59,280
Heating - AFUE	95.0%	95.0%	95.0%	95.0%	95.0%	95.0%
Electrical Rating - 60 Hz.						
Phase	1	1	1	1	1	1
Operating Voltage	187-253	187-253	187-253	187-253	187-253	187-253
Minimum Circuit Ampacity - (MCA)	22.4	24.5	27.7	33.3	35.7	42.1
Max. Overcurrent Protection - (MOP)	35	35	40	50	55	60
Compressor Data						
Lock Rotor Amps	58	73	84	110	117	171
Indoor Blower Data						
Motor - HP / Type	3/4 - ECM	3/4 - ECM	1 - ECM	1 - ECM	1 - ECM	1 - ECM
Outdoor Fan						
Motor - HP / Type	1/5 - PSC	1/4 - PSC	1/4 - PSC	1/4 - PSC	1/4 - PSC	1/4 - PSC
Refrigerant Charge - oz.	55	58	55	64	69	93
Gas Supply Size	1/2"					
Sound Rating	71	76	78	78	77	78

NOTES:

1. Certified in accordance with A.H.R.I. Standard 210/240 at 95°F Outdoor DB and 80°F DB / 67°F WB evaporator entering air at minimum external duct static pressures allowed by the standard
2. EER2 - Energy Efficiency Ratio (Btu/Watt). E.E.R.2 is determined @ 95°F Outdoor DB & 80°F DB / 67°F WB Air Indoor
SEER2 - Seasonal Energy Efficiency Rating.
AFUE - Annual Fuel Utilization Efficiency.

AIRFLOW DATA

Nominal Airflow Rates and Temperature Rises

Model Number	High Input (Btu/Hr)	High Output (Btu/Hr)	Low Input (Btu/Hr)	Low Output (Btu/Hr)	Rise Range (oF)	Max. Outlet Air Temp.	Cooling Output (BTUH)	Motor (HP)
R104HD-X24K060C	60,000	57,000	39,000	37,050	30-60	160	24,000	3/4
R104HD-X30K060C	60,000	57,000	39,000	37,050	30-60	160	28,600	3/4
R104HD-X36K080C	80,000	76,000	52,000	49,400	35-65	165	34,600	1
R104HD-X42K080C	80,000	76,000	52,000	49,400	35-65	165	41,000	1
R104HD-X48K096C	96,000	91,200	62,400	59,280	35-65	165	47,000	1
R104HD-X60K096C	96,000	91,200	62,400	59,280	35-65	165	57,000	1

AIRFLOW DATA CONTINUED

COOLING DIPSWITCH SETTING				RECOMMENDED AIRFLOW (CFM)		SWITCH SETTING				RECOMMENDED AIRFLOW (CFM)	
5	6	7	8			5	6	7	8		
0	0	0	0	2 TON	800	0	0	0	0	2.5 TON	800
1	0	0	0		875	1	0	0	0		875
0	1	0	0		925	0	1	0	0		925
1	1	0	0		1000	1	1	0	0		1000
0	0	1	0		1075	0	0	1	0		1075
1	0	1	0		1125	1	0	1	0		1125
0	1	1	0		1175	0	1	1	0		1175
1	1	1	0		1225	1	1	1	0		1225
0	0	0	1		1300	0	0	0	1		1300
1	0	0	1		1350	1	0	0	1		1350
0	1	0	1		1400	0	1	0	1		1400
1	1	0	1		1450	1	1	0	1		1450
0	0	1	1		1500	0	0	1	1		1500
1	0	1	1		1525	1	0	1	1		1525
0	1	1	1		1560	0	1	1	1		1560
1	1	1	1		1600	1	1	1	1		1600

SWITCH SETTING				RECOMMENDED AIRFLOW (CFM)		SWITCH SETTING				RECOMMENDED AIRFLOW (CFM)	
5	6	7	8			5	6	7	8		
0	0	0	0	3 TON	1110	0	0	0	0	3.5 TON	1180
1	0	0	0		1145	1	0	0	0		1250
0	1	0	0		1180	0	1	0	0		1320
1	1	0	0		1215	1	1	0	0		1380
0	0	1	0		1250	0	0	1	0		1440
1	0	1	0		1285	1	0	1	0		1500
0	1	1	0		1320	0	1	1	0		1560
1	1	1	0		1355	1	1	1	0		1610
0	0	0	1		1390	0	0	0	1		1660
1	0	0	1		1430	1	0	0	1		1710
0	1	0	1		1480	0	1	0	1		1740
1	1	0	1		1525	1	1	0	1		1770
0	0	1	1		1575	0	0	1	1		1800
1	0	1	1		1625	1	0	1	1		1830
0	1	1	1		1675	0	1	1	1		1860
1	1	1	1		1725	1	1	1	1		1895

SWITCH SETTING				RECOMMENDED AIRFLOW (CFM)		SWITCH SETTING				RECOMMENDED AIRFLOW (CFM)	
5	6	7	8			5	6	7	8		
0	0	0	0	4 TON	1180	0	0	0	0	5 TON	1180
1	0	0	0		1250	1	0	0	0		1250
0	1	0	0		1320	0	1	0	0		1320
1	1	0	0		1380	1	1	0	0		1380
0	0	1	0		1440	0	0	1	0		1440
1	0	1	0		1500	1	0	1	0		1500
0	1	1	0		1560	0	1	1	0		1560
1	1	1	0		1610	1	1	1	0		1610
0	0	0	1		1660	0	0	0	1		1660
1	0	0	1		1710	1	0	0	1		1710
0	1	0	1		1740	0	1	0	1		1740
1	1	0	1		1770	1	1	0	1		1770
0	0	1	1		1800	0	0	1	1		1800
1	0	1	1		1830	1	0	1	1		1830
0	1	1	1		1860	0	1	1	1		1860
1	1	1	1		1895	1	1	1	1		1895

NOTE:
 1. Factory settings and recommended operating range are highlighted in bold.
 2. Deduct approximately 3% for 208V applications.

Table 1. Cooling Airflow Settings

HEATING DIPSWITCH SELECTOR SETTING		2 & 2.5 TON CFM				HEATING DIPSWITCH SELECTOR SETTING		3 TON CFM							
		LOW HEAT		HIGH HEAT				LOW HEAT		HIGH HEAT					
		39,000		60,000				52,000		80,000					
1	2	3	4	CFM	RISE	CFM	RISE	1	2	3	4	CFM	RISE	CFM	RISE
0	0	0	0	600	57	800	66	0	0	0	0	835	55	1110	63
1	0	0	0	656	52	875	60	1	0	0	0	860	53	1145	61
0	1	0	0	694	49	925	57	0	1	0	0	885	52	1180	60
1	1	0	0	750	46	1000	53	1	1	0	0	910	50	1215	58
0	0	1	0	806	43	1075	49	0	0	1	0	940	49	1250	56
1	0	1	0	844	41	1125	47	1	0	1	0	965	47	1285	55
0	1	1	0	881	39	1175	45	0	1	1	0	990	46	1320	53
1	1	1	0	919	37	1225	43	1	1	1	0	1015	45	1355	52
0	0	0	1	975	35	1300	40	0	0	0	1	1040	44	1390	50
1	0	0	1	1013	34	1350	39	1	0	0	1	1070	43	1430	49
0	1	0	1	1050	33	1400	38	0	1	0	1	1110	41	1480	48
1	1	0	1	1088	32	1450	36	1	1	0	1	1140	40	1525	46
0	0	1	1	1125	30	1500	35	0	0	1	1	1180	39	1575	45
1	0	1	1	1144	30	1525	35	1	0	1	1	1220	37	1625	43
0	1	1	1	1170	29	1560	34	0	1	1	1	1255	36	1675	42
1	1	1	1	1200	29	1600	33	1	1	1	1	1290	35	1725	41

HEATING DIPSWITCH SELECTOR SETTING		3.5 TON CFM				HEATING DIPSWITCH SELECTOR SETTING		4 & 5 TON CFM							
		LOW HEAT		HIGH HEAT				LOW HEAT		HIGH HEAT					
		52,000		80,000				62,400		96,000					
1	2	3	4	CFM	RISE	CFM	RISE	1	2	3	4	CFM	RISE	CFM	RISE
0	0	0	0	885	52	1180	60	0	0	0	0	885	62	1180	72
1	0	0	0	940	49	1250	56	1	0	0	0	940	58	1250	68
0	1	0	0	990	46	1320	53	0	1	0	0	990	55	1320	64
1	1	0	0	1035	44	1380	51	1	1	0	0	1035	53	1380	61
0	0	1	0	1080	42	1440	49	0	0	1	0	1080	51	1440	59
1	0	1	0	1125	41	1500	47	1	0	1	0	1125	49	1500	56
0	1	1	0	1170	39	1560	45	0	1	1	0	1170	47	1560	54
1	1	1	0	1210	38	1610	44	1	1	1	0	1210	45	1610	52
0	0	0	1	1245	37	1660	42	0	0	0	1	1245	44	1660	50
1	0	0	1	1280	36	1710	41	1	0	0	1	1280	43	1710	49
0	1	0	1	1305	35	1740	40	0	1	0	1	1305	42	1740	49
1	1	0	1	1330	34	1770	40	1	1	0	1	1330	41	1770	48
0	0	1	1	1350	34	1800	39	0	0	1	1	1350	41	1800	47
1	0	1	1	1370	33	1830	38	1	0	1	1	1370	40	1830	46
0	1	1	1	1395	33	1860	38	0	1	1	1	1395	39	1870	45
1	1	1	1	1420	32	1895	37	1	1	1	1	1420	39	1895	45

NOTES:

1. Factory settings are bold. Use of any other dipswitch setting may result in nuisance trips and should be verified for the application.
2. Temperature rises in tables are approximate. Actual temperature rises may vary.
3. Shaded areas are not approved for proper operation of equipment.
4. Deduct approximately 3% for 208V applications.

Table 2. Heating Airflow Settings

EXPANDED RATINGS

R104HD-X24K060C

O.D.T.			65°F			75°F			85°F			95°F			105°F			115°F		
CFM	E.D.B	E.W.B.	T.C.	S.C.	K.W.	T.C.	S.C.	K.W.	T.C.	S.C.	K.W.	T.C.	S.C.	K.W.	T.C.	S.C.	K.W.	T.C.	S.C.	K.W.
750	80	62	26.4	22.7	1.45	24.9	21.9	1.60	23.4	21.0	1.78	21.7	20.1	1.98	20.0	19.2	2.20	18.1	18.1	2.44
	80	67	29.6	19.2	1.45	27.8	18.5	1.60	26.0	17.8	1.78	24.1	17.0	1.98	22.1	16.3	2.20	20.0	15.5	2.44
	80	72	32.5	15.7	1.48	30.5	15.1	1.63	28.4	14.6	1.81	26.2	14.0	2.01	23.9	13.4	2.23	21.6	12.8	2.47
	75	63	27.8	18.6	1.47	26.0	17.8	1.61	24.0	17.0	1.78	22.0	16.2	1.98	19.9	15.4	2.19	17.7	14.6	2.44
	75	62	26.9	19.3	1.46	25.2	18.5	1.61	23.3	17.7	1.78	21.3	16.9	1.97	19.3	16.0	2.19	17.1	15.2	2.43
850	80	62	27.0	24.4	1.49	25.5	23.5	1.64	23.9	22.5	1.81	22.3	21.6	2.01	20.5	20.5	2.24	18.6	18.6	2.48
	80	67	30.0	20.5	1.49	28.3	19.7	1.64	26.4	18.9	1.82	24.5	18.1	2.02	22.5	17.3	2.24	20.4	16.5	2.49
	80	72	32.8	16.6	1.52	30.8	16.0	1.67	28.7	15.4	1.85	26.5	14.7	2.05	24.2	14.0	2.27	21.8	13.4	2.52
	75	63	28.1	19.9	1.50	26.3	19.0	1.64	24.4	18.2	1.82	22.3	17.3	2.01	20.2	16.4	2.23	18.0	15.5	2.47
	75	62	27.3	20.7	1.49	25.5	19.8	1.64	23.7	18.9	1.81	21.7	18.0	2.01	19.6	17.1	2.22	17.4	16.2	2.47
950	80	62	28.2	25.9	1.55	26.7	24.9	1.70	25.1	23.9	1.88	23.4	22.9	2.08	21.7	21.7	2.30	19.8	19.8	2.55
	80	67	31.1	21.6	1.55	29.4	20.8	1.71	27.5	19.9	1.88	25.6	19.1	2.08	23.5	18.2	2.31	21.4	17.3	2.56
	80	72	33.8	17.4	1.58	31.8	16.7	1.74	29.6	16.0	1.92	27.4	15.2	2.12	25.1	14.5	2.35	22.7	13.8	2.59
	75	63	29.2	21.0	1.55	27.3	20.1	1.70	25.4	19.1	1.87	23.3	18.2	2.07	21.2	17.3	2.29	18.9	16.3	2.53
	75	62	28.4	21.9	1.55	26.6	20.9	1.70	24.7	20.0	1.87	22.7	19.0	2.07	20.6	18.0	2.28	18.4	17.0	2.53

R104HD-X30K060C

O.D.T.			65°F			75°F			85°F			95°F			105°F			115°F		
CFM	E.D.B	E.W.B.	T.C.	S.C.	K.W.	T.C.	S.C.	K.W.	T.C.	S.C.	K.W.	T.C.	S.C.	K.W.	T.C.	S.C.	K.W.	T.C.	S.C.	K.W.
850	80	62	30.7	26.2	1.81	29.3	25.2	1.98	27.6	24.3	2.17	25.5	23.2	2.39	23.1	22.2	2.64	20.3	20.3	2.91
	80	67	32.4	22.4	1.80	31.3	21.6	1.97	29.8	20.7	2.17	27.9	19.8	2.40	25.7	18.9	2.65	23.2	17.9	2.94
	80	72	36.2	18.3	1.83	35.3	17.6	2.01	34.1	16.9	2.22	32.4	16.1	2.45	30.5	15.3	2.71	28.2	14.4	3.00
	75	63	31.3	21.4	1.81	29.8	20.5	1.98	27.9	19.6	2.18	25.7	18.6	2.41	23.2	17.6	2.66	20.2	16.6	2.94
	75	62	30.8	22.3	1.81	29.2	21.3	1.98	27.3	20.4	2.17	25.1	19.4	2.40	22.5	18.3	2.65	19.5	17.3	2.93
1000	80	62	32.0	28.2	1.90	30.6	27.2	2.07	28.9	26.2	2.26	26.8	25.2	2.48	24.3	24.1	2.73	21.5	21.5	3.00
	80	67	34.0	23.9	1.89	32.8	23.1	2.07	31.3	22.2	2.27	29.5	21.3	2.50	27.2	20.3	2.75	24.7	19.3	3.03
	80	72	38.1	19.4	1.93	37.1	18.6	2.11	35.8	17.9	2.32	34.2	17.1	2.56	32.2	16.2	2.82	29.9	15.4	3.11
	75	63	32.5	23.1	1.90	31.0	22.1	2.07	29.1	21.2	2.27	26.9	20.2	2.49	24.3	19.2	2.75	21.4	18.1	3.02
	75	62	32.0	24.0	1.89	30.4	23.0	2.06	28.5	22.0	2.26	26.2	21.0	2.48	23.6	20.0	2.73	20.6	18.9	3.01
1150	80	62	32.6	29.8	2.00	31.1	28.8	2.17	29.4	27.8	2.36	27.2	26.7	2.59	24.8	24.8	2.83	21.9	21.9	3.11
	80	67	34.8	25.1	2.01	33.6	24.2	2.18	32.1	23.3	2.38	30.2	22.3	2.61	27.9	21.4	2.87	25.4	20.4	3.15
	80	72	39.1	20.0	2.05	38.2	19.3	2.24	36.9	18.5	2.45	35.2	17.7	2.68	33.2	16.8	2.94	30.8	15.9	3.23
	75	63	33.0	24.3	2.00	31.4	23.4	2.17	29.5	22.4	2.37	27.3	21.4	2.59	24.7	20.3	2.85	21.7	19.2	3.13
	75	62	32.4	25.3	1.99	30.8	24.3	2.16	28.9	23.3	2.36	26.6	22.3	2.58	23.9	21.2	2.83	20.9	20.1	3.11

R104HD-X36K080C

O.D.T.			65°F			75°F			85°F			95°F			105°F			115°F		
CFM	E.D.B	E.W.B.	T.C.	S.C.	K.W.	T.C.	S.C.	K.W.	T.C.	S.C.	K.W.	T.C.	S.C.	K.W.	T.C.	S.C.	K.W.	T.C.	S.C.	K.W.
1000 cfm	80	62	34.2	30.5	2.20	33.0	29.5	2.42	31.0	28.2	2.67	28.4	26.7	2.94	25.0	25.0	3.23	21.0	21.0	3.55
	80	67	35.8	25.0	2.16	34.8	24.4	2.40	33.2	23.6	2.66	31.0	22.5	2.95	28.0	21.2	3.26	24.3	19.7	3.59
	80	72	42.0	20.3	2.21	41.5	20.2	2.47	40.2	19.8	2.75	38.3	19.2	3.06	35.6	18.3	3.38	32.3	17.2	3.74
	75	63	36.2	24.9	2.24	34.8	24.1	2.47	32.7	22.9	2.71	29.9	21.6	2.98	26.4	19.9	3.27	22.2	18.1	3.59
	75	62	35.2	26.2	2.24	33.7	25.2	2.46	31.5	24.0	2.70	28.6	22.5	2.97	25.1	20.8	3.26	20.8	18.9	3.57
1100 cfm	80	62	36.8	32.3	2.25	35.6	31.4	2.48	33.7	30.3	2.73	31.0	28.8	3.00	27.7	27.2	3.30	23.7	23.7	3.63
	80	67	38.5	26.6	2.22	37.6	26.1	2.46	36.0	25.4	2.73	34.0	24.4	3.02	30.8	23.2	3.34	27.1	21.7	3.68
	80	72	44.8	21.7	2.28	44.3	21.7	2.54	43.0	21.4	2.82	41.1	20.9	3.13	38.5	20.1	3.47	35.2	19.1	3.82
	75	63	38.2	26.2	2.28	36.8	25.5	2.50	34.7	24.4	2.75	32.0	23.1	3.03	28.5	21.6	3.32	24.3	19.8	3.65
	75	62	37.2	27.5	2.27	35.7	26.6	2.49	33.6	25.5	2.74	30.7	24.1	3.01	27.2	22.5	3.31	22.9	20.7	3.62
1200 cfm	80	62	38.3	33.8	2.31	37.1	33.0	2.54	35.2	31.9	2.80	32.6	30.6	3.07	29.3	29.0	3.38	25.3	25.3	3.70
	80	67	40.1	27.8	2.28	39.2	27.5	2.53	37.6	26.8	2.80	35.4	25.9	3.10	32.4	24.8	3.42	28.8	23.4	3.76
	80	72	46.5	22.8	2.35	46.0	22.8	2.61	44.8	22.6	2.90	42.9	22.2	3.21	40.3	21.5	3.55	37.0	20.6	3.91
	75	63	39.1	27.2	2.31	37.8	26.5	2.54	35.7	25.5	2.79	32.9	24.3	3.07	29.5	22.9	3.38	25.3	21.2	3.70
	75	62	38.1	28.5	2.31	36.6	27.7	2.53	34.5	26.7	2.78	31.6	25.4	3.06	28.1	23.8	3.36	23.9	22.1	3.68

EXPANDED RATINGS Continued

R104HD-X42K080C

O.D.T.			65°F			75°F			85°F			95°F			105°F			115°F		
CFM	E.D.B	E.W.B.	T.C.	S.C.	K.W.	T.C.	S.C.	K.W.	T.C.	S.C.	K.W.	T.C.	S.C.	K.W.	T.C.	S.C.	K.W.	T.C.	S.C.	K.W.
1300	80	62	45.7	38.5	2.65	43.2	36.9	2.91	40.5	35.1	3.23	37.6	33.3	3.61	34.5	31.5	4.03	31.3	29.5	4.52
	80	67	49.6	33.2	2.69	47.1	31.8	2.95	44.4	30.4	3.27	41.6	28.9	3.64	38.5	27.3	4.06	35.3	25.7	4.54
	80	72	54.3	27.1	2.69	51.7	26.0	2.96	49.1	24.9	3.27	46.2	23.7	3.64	43.2	22.4	4.06	39.9	21.0	4.54
	75	63	46.4	32.1	2.66	43.9	30.6	2.93	41.2	29.0	3.24	38.3	27.4	3.62	35.2	25.7	4.04	31.9	23.9	4.52
	75	62	45.6	33.2	2.67	43.0	31.7	2.93	40.3	30.1	3.25	37.4	28.4	3.62	34.3	26.6	4.05	31.1	24.8	4.53
1450	80	62	46.9	40.2	2.73	44.3	38.4	3.00	41.4	36.6	3.31	38.4	34.7	3.69	35.2	32.7	4.11	31.8	30.7	4.59
	80	67	50.9	34.5	2.77	48.2	33.0	3.03	45.4	31.5	3.35	42.4	29.9	3.72	39.2	28.2	4.14	35.8	26.4	4.62
	80	72	55.5	28.0	2.78	52.8	26.8	3.03	50.0	25.6	3.35	47.0	24.3	3.71	43.8	22.9	4.14	40.4	21.4	4.61
	75	63	47.4	33.3	2.74	44.7	31.7	3.01	41.9	30.1	3.32	38.8	28.3	3.69	35.6	26.5	4.12	32.2	24.6	4.60
	75	62	46.6	34.5	2.75	43.9	32.9	3.01	41.0	31.2	3.33	38.0	29.4	3.70	34.7	27.5	4.12	31.3	25.6	4.60
1600	80	62	48.2	41.9	2.86	45.3	40.0	3.12	42.3	38.1	3.44	39.2	36.1	3.81	35.8	34.0	4.23	32.3	31.8	4.71
	80	67	52.1	35.8	2.89	49.3	34.2	3.15	46.3	32.6	3.47	43.1	30.9	3.83	39.8	29.1	4.26	36.2	27.2	4.73
	80	72	56.7	28.9	2.90	53.9	27.6	3.15	50.9	26.3	3.47	47.8	24.9	3.83	44.4	23.4	4.25	40.9	21.8	4.72
	75	63	48.4	34.5	2.87	45.6	32.9	3.13	42.6	31.1	3.44	39.4	29.3	3.81	36.0	27.3	4.23	32.4	25.3	4.71
	75	62	47.6	35.9	2.87	44.7	34.1	3.13	41.7	32.3	3.45	38.5	30.4	3.82	35.1	28.4	4.24	31.6	26.4	4.72

R104HD-X48K096C

O.D.T.			65°F			75°F			85°F			95°F			105°F			115°F		
CFM	E.D.B	E.W.B.	T.C.	S.C.	K.W.	T.C.	S.C.	K.W.	T.C.	S.C.	K.W.	T.C.	S.C.	K.W.	T.C.	S.C.	K.W.	T.C.	S.C.	K.W.
1350	80	62	51	42.6	2.92	48.3	41.1	3.21	45.4	39.5	3.55	42.3	37.8	3.96	39	36	4.43	35.6	34.2	4.95
	80	67	57.5	36.3	2.97	54.2	35.1	3.25	50.9	33.8	3.58	47.3	32.4	3.98	43.6	30.9	4.43	39.8	29.3	4.95
	80	72	62.5	29.0	3.03	58.8	28	3.3	55	27	3.62	51	25.9	4.01	46.8	24.7	4.45	42.5	23.4	4.95
	75	63	52.3	34.4	2.92	49.3	33.2	3.2	46.2	31.8	3.54	42.9	30.4	3.94	39.4	28.9	4.4	35.8	27.3	4.92
	75	62	50.8	35.7	2.9	47.9	34.4	3.18	44.8	33	3.52	41.6	31.6	3.93	38.2	30	4.39	34.7	28.4	4.91
1550	80	62	52.7	45.7	3.05	49.7	43.9	3.34	46.6	42.1	3.68	43.4	40.2	4.09	40	38.1	4.56	36.4	36.1	5.08
	80	67	59.0	38.6	3.09	55.6	37.2	3.37	52	35.7	3.71	48.3	34	4.1	44.5	32.3	4.56	40.4	30.5	5.07
	80	72	63.8	30.6	3.15	60	29.4	3.42	56	28.2	3.74	51.9	26.9	4.13	47.5	25.4	4.57	43.1	23.9	5.08
	75	63	53.9	37.1	3.05	50.7	35.6	3.34	47.4	34	3.68	43.9	32.4	4.08	40.3	30.7	4.54	36.5	28.9	5.06
	75	62	52.4	38.5	3.03	49.3	37	3.32	46.1	35.4	3.66	42.7	33.7	4.06	39.2	31.9	4.53	35.4	30	5.05
1750	80	62	54.3	48.3	3.22	51.2	46.4	3.51	48	44.3	3.86	44.5	42.2	4.27	41	39.9	4.74	37.2	37.2	5.26
	80	67	60.5	40.6	3.26	57	38.9	3.54	53.2	37.2	3.88	49.4	35.3	4.28	45.3	33.4	4.73	41.1	31.4	5.25
	80	72	65.3	31.9	3.32	61.3	30.5	3.58	57.1	29	3.91	52.8	27.5	4.3	48.3	25.8	4.74	43.6	24.1	5.25
	75	63	55.5	39.4	3.23	52.2	37.7	3.52	48.7	35.9	3.86	45	34	4.26	41.2	32.1	4.72	37.3	30.1	5.24
	75	62	54	41	3.21	50.8	39.2	3.5	47.4	37.4	3.84	43.8	35.5	4.25	40.1	33.4	4.71	36.2	31.3	5.23

R104HD-X60K096C

O.D.T.			65°F			75°F			85°F			95°F			105°F			115°F		
CFM	E.D.B	E.W.B.	T.C.	S.C.	K.W.	T.C.	S.C.	K.W.	T.C.	S.C.	K.W.	T.C.	S.C.	K.W.	T.C.	S.C.	K.W.	T.C.	S.C.	K.W.
1500 cfm	80	62	61.4	49.0	3.56	58.9	48.0	3.96	55.7	46.5	4.41	51.8	44.6	4.92	47.1	42.3	5.48	41.7	39.5	6.08
	80	67	66.8	41.1	3.50	64.6	40.5	3.93	61.7	39.4	4.42	58.1	37.9	4.95	53.7	35.9	5.54	48.6	33.5	6.18
	80	72	72.9	33.9	3.58	71.0	33.6	4.04	68.4	32.9	4.56	65.1	31.8	5.13	61.0	30.2	5.75	56.2	28.2	6.42
	75	63	62.0	40.8	3.52	59.6	39.8	3.92	56.5	38.4	4.38	52.6	36.5	4.89	48.0	34.3	5.45	42.6	31.6	6.07
	75	62	60.9	42.2	3.52	58.4	41.1	3.92	55.2	39.6	4.37	51.3	37.7	4.87	46.6	35.4	5.43	41.2	32.6	6.04
1700 cfm	80	62	63.2	52.0	3.73	60.7	51.0	4.13	57.4	49.6	4.57	53.5	47.7	5.07	48.8	45.4	5.62	43.3	42.7	6.23
	80	67	68.6	43.5	3.71	66.4	42.8	4.13	63.4	41.8	4.61	59.8	40.3	5.15	55.4	38.4	5.73	50.2	36.1	6.37
	80	72	74.7	35.6	3.82	72.8	35.3	4.28	70.2	34.7	4.79	66.8	33.6	5.36	62.7	32.0	5.97	57.9	30.1	6.64
	75	63	63.9	43.0	3.73	61.5	42.0	4.13	58.3	40.7	4.58	54.4	38.9	5.09	49.8	36.7	5.64	44.4	34.0	6.25
	75	62	62.8	44.5	3.72	60.3	43.5	4.12	57.1	42.1	4.56	53.1	40.2	5.06	48.4	37.9	5.61	43.0	35.2	6.21
1900 cfm	80	62	64.0	53.8	3.91	61.4	52.9	4.30	58.2	51.5	4.74	54.2	49.7	5.24	49.5	47.4	5.79	44.0	44.0	6.39
	80	67	69.4	44.6	3.92	67.2	44.0	4.35	64.2	43.0	4.82	60.6	41.6	5.35	56.1	39.7	5.93	51.0	37.4	6.56
	80	72	75.6	36.1	4.08	73.7	35.9	4.53	71.1	35.2	5.04	67.7	34.2	5.60	63.5	32.7	6.21	58.7	30.8	6.88
	75	63	64.9	44.1	3.95	62.4	43.2	4.34	59.2	41.8	4.79	55.3	40.1	5.29	50.6	37.9	5.85	45.2	35.3	6.45
	75	62	63.7	45.8	3.94	61.2	44.8	4.32	58.0	43.4	4.77	54.0	41.5	5.26	49.3	39.3	5.81	43.8	36.6	6.41

R104HD ACCESSORIES

Description	Part Number
Filter Rack Kit 2-3 Ton	10079911R
Filter Rack Kit 3.5 Ton	10079912R
Filter Rack Kit 4 Ton	10079913R
Filter Rack Kit 5 Ton	10079923R
U.S. - LP Gas/High Elevation Conversion Kit (0 - 10,000 ft. above sea level)	922311
Canada - LP Gas/High Elevation Conversion Kit (0 - 4,500 ft. above sea level)	922312
Universal Hard Start Kit	912933
Skirt Trim Kit	919729
Horizontal Condensate Drain/Vent Kit (Heat Exchanger)	922323
Downflow Condensate Drain/Vent Kit (Heat Exchanger)	922485



GENERAL TERMS OF LIMITED WARRANTY

Nortek Global HVAC, LLC will furnish a replacement for any part of this product which fails in normal use and service within the terms and conditions of the warranty.

For complete details of the Limited Warranty, including applicable terms and conditions, see your local installer or contact the Nortek Global HVAC, LLC warranty department for a copy.

Before purchasing this appliance, read important energy cost and efficiency information available from your retailer. Specifications and illustrations subject to change without notice and without incurring obligations. Printed in U.S.A (07/2022)