
TECHNICAL SPECIFICATIONS

G6RK Series for Modular Housing

High Efficiency Downflow Gas Furnace

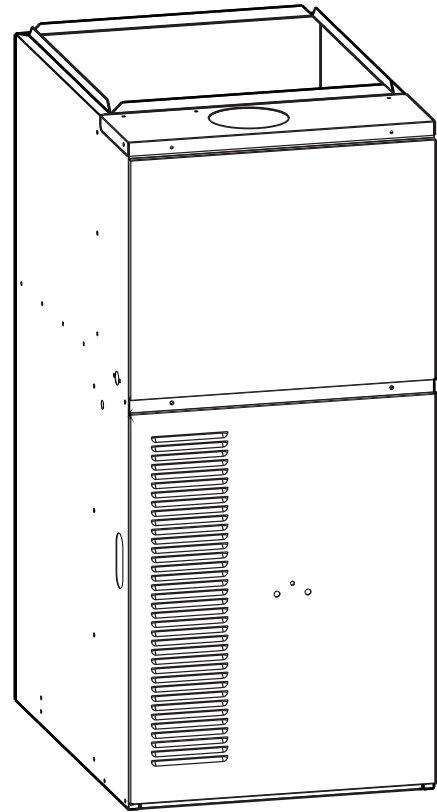
Induced Draft - 80+ AFUE

Input 60,000 - 120,000 Btuh

The high efficiency downflow gas furnace may be installed free standing in a utility room, basement, or enclosed in an alcove or closet. The extended flush jacket provides a pleasing "appliance appearance." Design certified by the American Gas Association (AGA) Laboratories and the Canadian Gas Association (CGA) Laboratories. The product is truly designed with the installer and the consumer in mind.

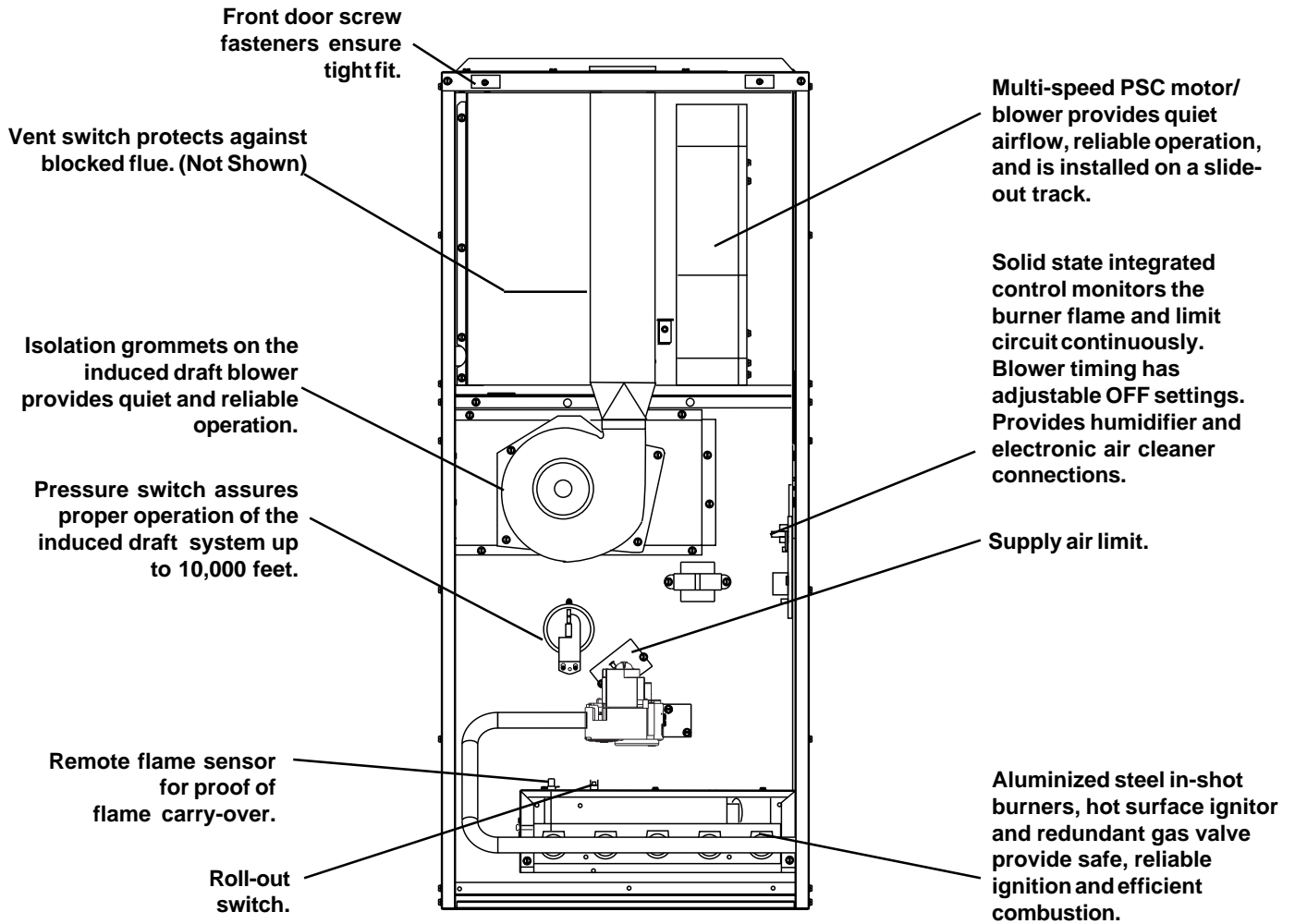
Features and Benefits

- Best warranty in the business —
 - A full 10 years on the heat exchanger
 - 1 year on all parts
- 100% fired and tested — All units and each component (both mechanical and electrical) are tested on the manufacturing line.
- Best packaging in the industry — Unique design assures product will arrive dent free.
- Clean and quiet operation — Due to the unique design of in-shot burners, location of inducer, return air vents, and use of insulation.
- Fixed 30 second blower delay at burner start-up assures a warm duct temperature at furnace start-up. Adjustable blower off settings (60, 120, 160 and 180 seconds).
- Fixed 30 second post purge increases life of heat exchanger.
- Dependable, hot surface ignitor — Innovative application of an appliance type ignitor with a 20 year history of reliability, assures no callbacks because of handling.
- Color coded wire harness — Designed to fit the components, all with quick-connect fittings for ease of service and replacement.
- Approved for categories I and III venting systems — May be common, dedicated, or through-the-wall vented for maximum flexibility in installation.
- Tubular primary heat exchanger — Heavy gauge aluminized steel heat exchanger assures a long life.
- 90 second fixed cooling cycle blower-off delay (TDR) increases cooling performance when matched with a NORDYNE coil.
- Multi-speed direct drive blower — Designed to give a wide range of cooling capacities.
- LP convertible — Simple burner orifice and regulator spring change for ease of convertibility.
- Diagnostic lights flash to identify limit failure, pressure switch failure, low flame signal and improper ground and polarization — for easy troubleshooting.
- Incorporates integrated control board with connections for electronic air cleaner and humidifier.
- New door design enhances furnace appearance and uses screw fasteners for easier accessibility.
- 3 amp fuse protection against low voltage shorts; protects the 40VA transformer and control board.
- Low voltage terminal board for easy field wiring.
- Components and Controls — Designing quality into our products means selecting manufacturers that have a reputation for delivering high quality, dependable products.



FEATURES

High Efficiency Downflow 80+ Gas Furnace



STANDARD EQUIPMENT

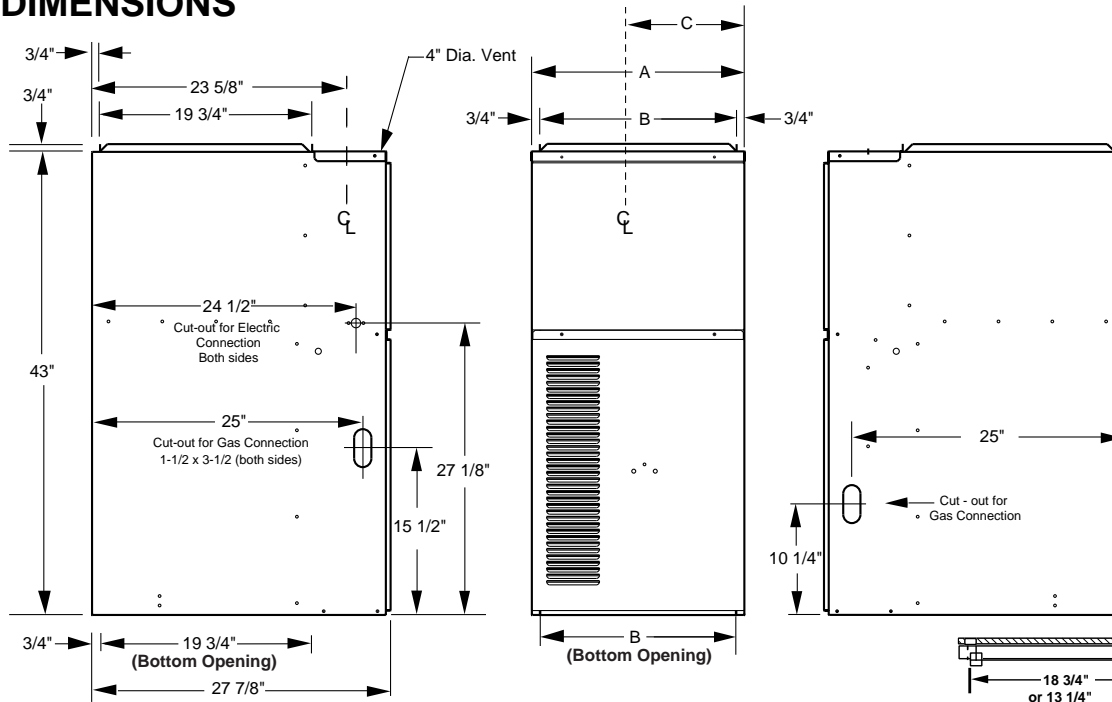
Draft inducer; pressure switch; redundant main gas control; hot-surface ignition; timed ON/OFF blower controls (TDR); 40 VA transformer for air conditioner application; limit controls; direct drive motor; all models can be converted to use L.P. (propane) gas. Factory approved kits *only* must be used and are available as an optional accessory from your distributor.

SPECIFICATIONS

G6RK MODEL NUMBERS	-060C-12	-072C-12	-072C-16	-096C-12	-096C-16	-120C-20
Input-Btuh (a)	60,000	72,000	72,000	96,000	96,000	120,000
Heating Capacity - Btuh	48,000	58,000	58,000	77,000	77,000	96,000
AFUE	80+	80+	80+	80+	80+	80+
Blower D x W	10 x 6	10 x 6	10 x 10	10 x 8	10 x 10	11 x 10
Motor H.P. -Speed -Type	1/3 - 3 - PSC	1/3 - 3 - PSC	1/2 - 4 - PSC	1/3 - 3 - PSC	1/2 - 4 - PSC	3/4 - 4 - PSC
Motor FLA	6.0	6.0	7.9	6.0	7.9	11.1
Maximum Ext. SP - In. W.C.	0.5	0.5	0.5	0.5	0.5	0.5
Temperature Rise Range - °F	35 - 65	45 - 75	35 - 65	45 - 75	40 - 70	40 - 70

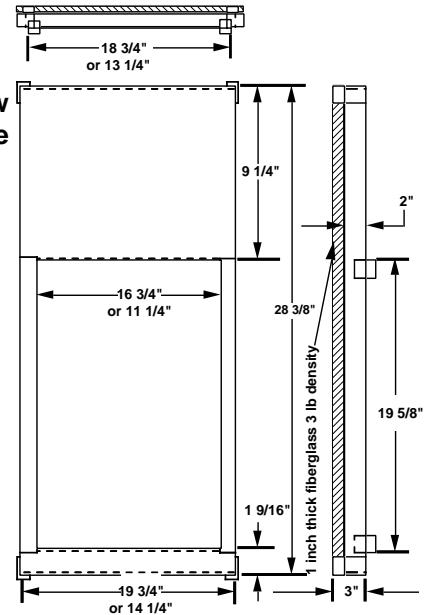
Note: All models are 115V, 60 Hz. Gas Connections are 1/2" N.P.T. AFUE = Annual Fuel Utilization Efficiency.
(a) Ratings to 2,000 feet. Over 2,000 feet, reduce 4% for each 1,000 ft. above sea level.

DIMENSIONS



Model Number	Dimensions			Shipping Weights (lbs)
	A inches	B inches	C inches	
G6RK				
060C-12	14 1/4	12 3/4	5 1/2	134
072C-12	14 1/4	12 3/4	5 1/2	135
072C-16	19 3/4	18 1/4	11	147
096C-12	19 3/4	18 1/4	11	154
096C-16	19 3/4	18 1/4	11	156
120C-20	19 3/4	18 1/4	11	182

Downflow Sub-Base



BLOWER PERFORMANCE

Model Number	Motor Speed	External Static Pressure (Inches Water Column)															
		0.1		0.2		0.3		0.4		0.5		0.6		0.7		0.8	
		CFM	Rise	CFM	Rise	CFM	Rise	CFM	Rise	CFM	Rise	CFM	Rise	CFM	Rise	CFM	Rise
060C-12	High *	1380	-	1345	-	1330	-	1260	36	1230	37	1190	38	1160	39	1120	40
	Medium	1180	38	1145	40	1130	40	1110	41	1080	42	1060	43	1040	44	1010	45
	Low **	830	55	810	56	805	56	795	57	780	58	770	59	760	60	750	60
072C-12	High *	1380	-	1345	-	1330	-	1260	-	1230	-	1190	46	1160	47	1120	49
	Medium	1180	46	1145	47	1130	48	1110	49	1080	50	1060	51	1040	52	1010	54
	Low **	830	65	810	67	805	67	795	68	780	70	770	71	760	71	750	72
072C-16	High *	1850	-	1790	-	1775	-	1755	-	1735	-	1700	-	1680	-	1650	-
	Med-High	1460	37	1435	38	1420	38	1400	39	1380	39	1360	40	1340	41	1320	41
	Med-Low	1210	45	1195	45	1180	46	1160	47	1140	48	1120	49	1110	49	1090	50
096C-12	High *	1475	49	1460	50	1445	50	1430	51	1410	51	1400	52	1380	52	1360	53
	Medium **	1200	60	1195	61	1180	61	1165	62	1145	63	1140	64	1120	65	1110	65
	Low	795	-	785	-	770	-	755	-	735	-	720	-	710	-	690	-
096C-16	High *	1950	-	1890	-	1865	-	1835	-	1805	40	1770	41	1730	42	1700	43
	Med-High	1600	45	1580	46	1555	47	1525	48	1495	48	1470	49	1450	50	1420	51
	Med-Low **	1375	53	1360	53	1335	54	1305	56	1275	57	1250	58	1230	59	1200	60
120C-20	High *	2440	-	2395	-	2385	-	2375	-	2360	-	2340	-	2320	-	2300	-
	Med-High	1920	47	1910	47	1900	48	1890	48	1875	48	1870	48	1860	49	1840	49
	Med-Low**	1630	56	1620	56	1610	56	1600	57	1585	57	1580	57	1570	58	1550	58
	Low	1430	63	1425	64	1415	64	1405	64	1390	65	1380	66	1370	66	1360	67

* Factory Set Cooling Speed
 ** Factory Set Heating Speed
 - Not Recommended

Notes: 1. Airflow rates of 1800 CFM or more require two return air connections. Data is for operat
 2. Temperature rises in the table are approximate. Actual temperature rises may vary.
 3. Temperature rises and airflows for external static pressures greater than 0.5 are for refer
 These conditions are not recommended.

High Efficiency 80+ with Honeywell VR Gas Valve		Order Number
Kit		
U.S. LP Conversion Kit (0 to 10,000 ft.)		903616
Canadian LP Gas Conversion Kit (0 to 4,500 ft.)		903617
Fossil Fuel Kit		914762
Downflow Sub-Base	A Cabinet	902974
	B Cabinet	902677
Horizontal Vent Kit		903196

VENTING

All models are approved for vertical or horizontal venting applications (See table below). All models may be common vented with a gas water heater. Type B gas vent materials may be used when connected to a gravity (vertical) vent system. The installation must be in accordance with the venting instructions supplied with the furnace.

HORIZONTAL VENTING

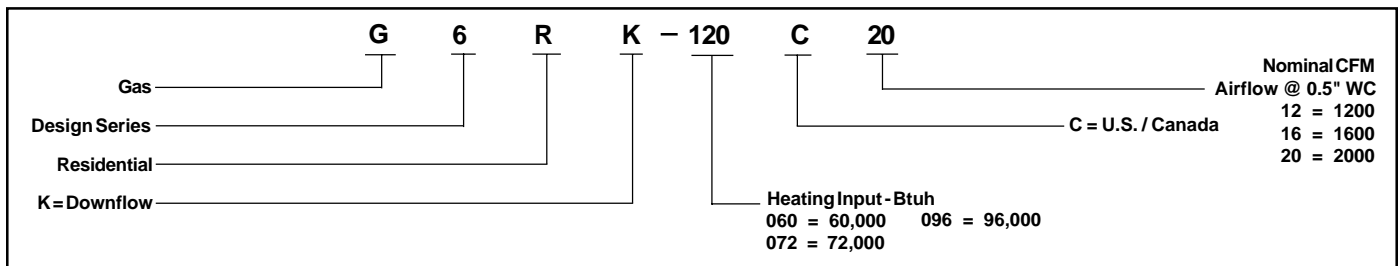
These furnaces are approved to use with 3" single wall Z-AL29-4C stainless steel vent pipe in horizontal vent applications. The pipe is available from the following manufacturers:

Z-Flex Inc. - vent brand name (**Z-VENT**)

Heat-fab Inc. - vent brand name (**Saf-T Vent**)

Flex-L International - vent brand name (**STAR-34 Vent**)

IDENTIFICATION CODE



Model	Min. Pipe Size	Reducer Needed	Flue Outlet	Max. # Elbows	Max. Ft. Vent Pipe
G6RA					
060C-12	3"	4" to 3"	4	4	35
072C-12	3"	4" to 3"	4	4	35
072C-16	3"	4" to 3"	4	4	35
096C-12	3"	4" to 3"	4	4	35
096C-16	3"	4" to 3"	4	4	35
120C-20	3"	4" to 3"	4	4	35

GENERAL TERMS OF LIMITED WARRANTY *

NORDYNE will furnish a replacement for any part of this product which fails in normal use and service within the applicable periods stated below, in accordance with the terms of the warranty.

G6RK Models Warranty

Gas Heat Exchanger 10 Year Limited Warranty
Any Other Part 1 Year Limited Warranty

* For complete details of the Limited Warranty, including applicable terms and conditions, see your local installer or contact the factory for a copy.

