

## P6SP Series Rev A

### 6, 7½ and 10 Ton Packaged Electric Cooling Units

#### 11.2 EER Commercial System Units

These units are designed specifically for retrofit applications and compatibility with most standard footprints. They take less time to install and retrofit, making the contractor's job more profitable. These units offer flexibility in the replacement market. These units are compliant with ASHRAE 90.1.

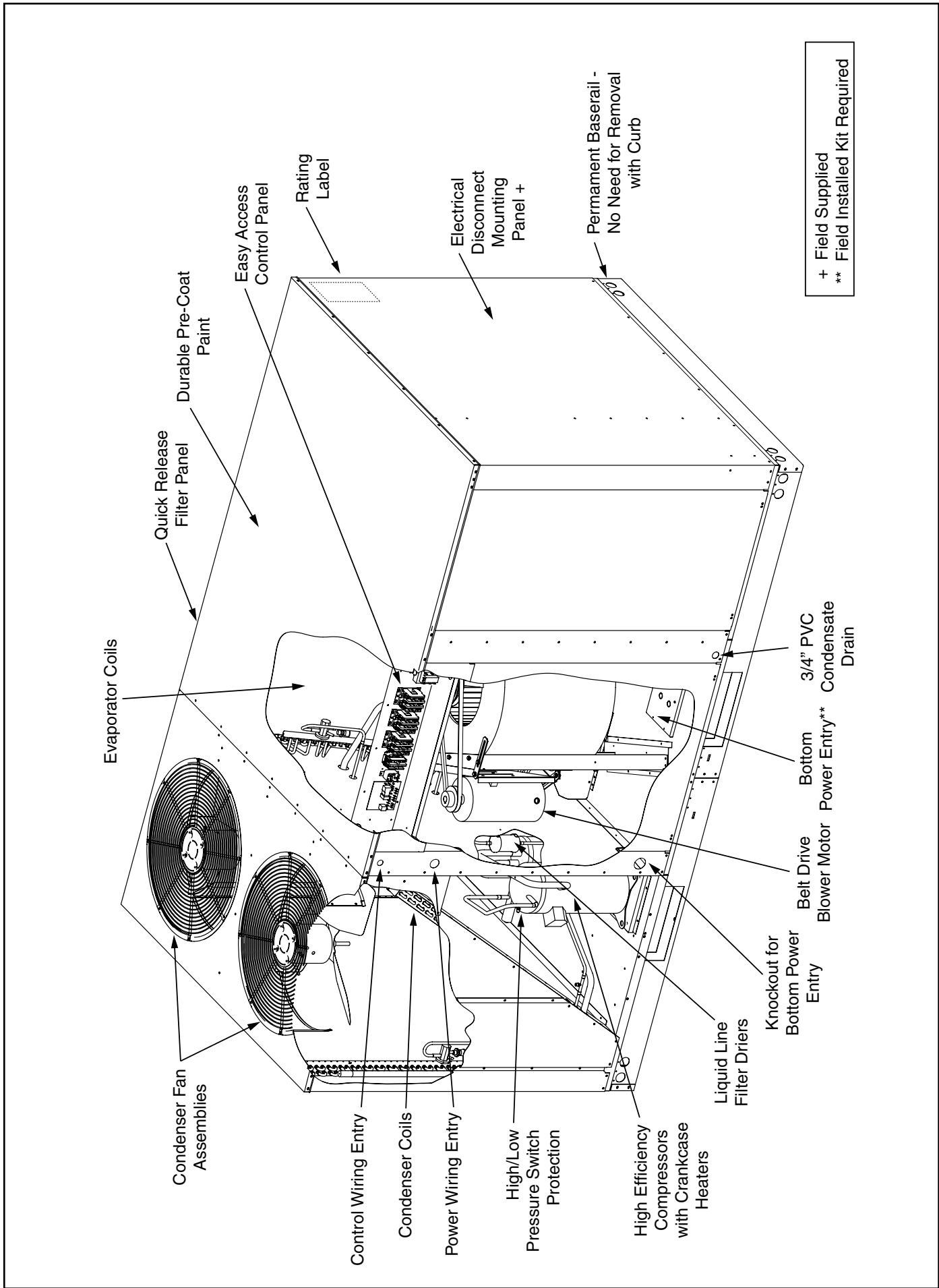


#### WARRANTY

- 1 year limited parts
- 5 year compressor

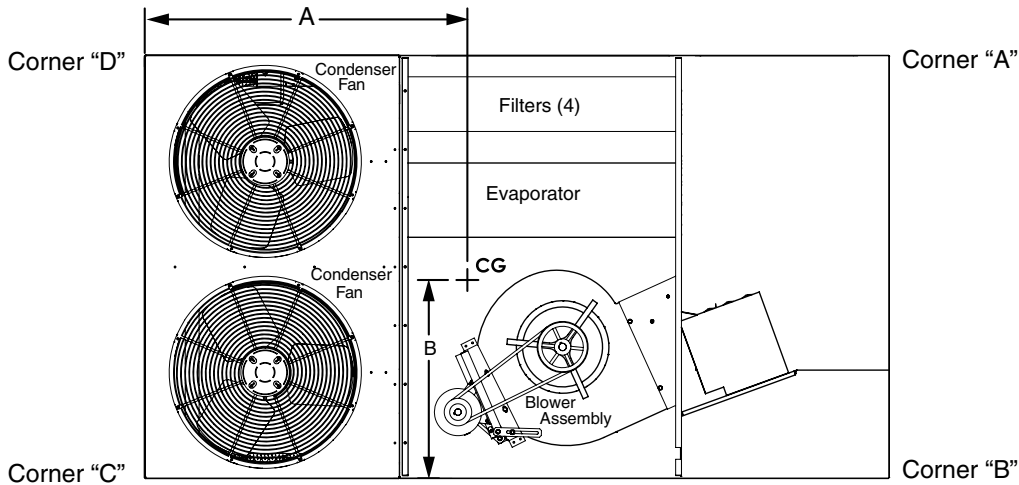
#### FEATURES and BENEFITS

- **Quality Compressor:** State of the art scroll compressor is standard equipment.
- **R-410A Refrigerant:** Earth friendly non-ozone depleting refrigerant.
- **7 ½ & 10 Ton Feature Two-Stage Cooling.**
- **6 Ton Features Single Stage Cooling.**
- **Optional Electric Heat:** Field installed 9 – 35 KW.
- **Hi/Low Pressure Switches:** Ensure long compressor life. Featuring manual reset high pressure control.
- **Copper Tube / Aluminum Fin Coils:** Both indoor and outdoor coils are designed to optimize heat transfer, minimize size and cost, and increase durability and reliability.
- **Plastic Mesh Hail Guard:** A guard that will never rust and protects the units coil from being damaged.
- **For Easy Service:** Hi/low service ports allow quick access without disrupting operation.
- **Permanently Lubricated Motor:** A heavy duty PSC motor for long lasting reliability and quiet operation. Requires no maintenance and is completely protected from rain and snow.
- **75 VA Transformer:** Includes 4 Amp circuit breaker to protect low voltage circuit.
- **Liquid Line Filter Driers:** Factory installed for convenience.
- **Crankcase Heater:** Protection from liquid floodback and future compressor failures.
- **Freeze protection thermostats:** Provide reliable compressor operation.
- **Easy Compressor and Control Access:** Designed to make servicing easier for the contractor, access panels are provided to all controls and the compressor from the side of the unit.
- **Convertible Air Delivery with Kit:** Easily converts to horizontal airflow with side panel including duct flange and bottom close off panels.
- **Quick-Release Filter Access Panels:** Requires no special servicing tools.
- **Fully Insulated Bottom Pan:** Helps ensure quiet operation and prevents condensation.
- **Removable Top Grille Assembly:** Allows ease of service to the fan motor.
- **Full Perimeter Base rail System:** Base rails have rigging holes and do not need to be removed for curb applications. Base rails have fork truck slots on three sides.
- **Durable, Attractive Cabinet:** Designed using 20 gauge galvanized steel with a polyester urethane finish. The 950 hour salt spray finish is 1.5 mil thick and resists corrosion 50% better than comparable units.

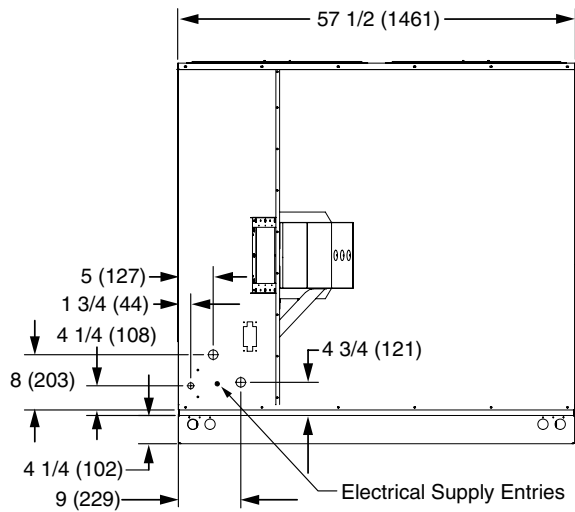


+ Field Supplied  
 \*\* Field Installed Kit Required

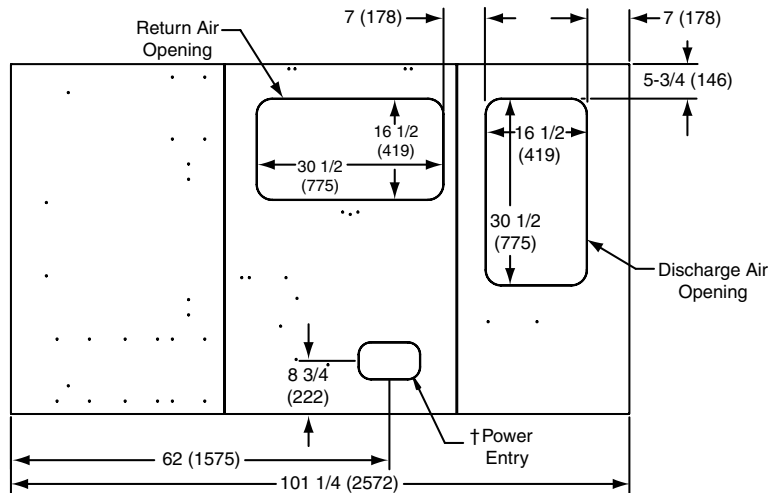
**PHYSICAL DATA - P6SP 072, 090, 120**  
 Dimensions shown in inches (mm)



**TOP VIEW**



**HEAT EXCHANGER END**



**BOTTOM PAN TOP VIEW**

Model No.	Unit Weight ‡		Shipping Weight		Center of Gravity Inches (mm)		Corner Weights								Unit Height*	
	Lbs.	Kg.	Lbs.	Kg.	A	B	A		B		C		D		Horizontal Duct Applications	Vertical Duct Applications
							Lbs.	Kg.	Lbs.	Kg.	Lbs.	Kg.	Lbs.	Kg.		
P6SP-072(C,D)	845	384	980	445	43-1/2 (1105)	32-1/4 (819)	159	72	204	93	270	123	211	96	43-1/2 (1105)	38-1/4 (972)
P6SP-090(C,D)a	856	388	991	450	50-1/2 (1283)	28 (714)	209	95	218	99	219	99	210	95	43-1/2 (1105)	38-1/4 (972)
P6SP-120(C,D)a	1130	514	1270	577	44 (1118)	27 (686)	226	103	264	120	345	157	295	134	55-1/4 (1403)	50 (1270)

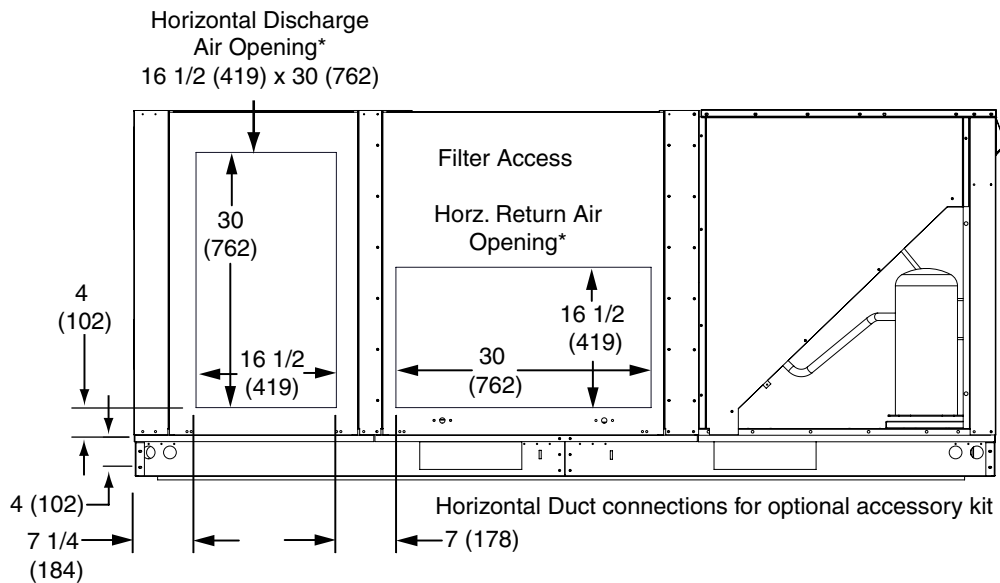
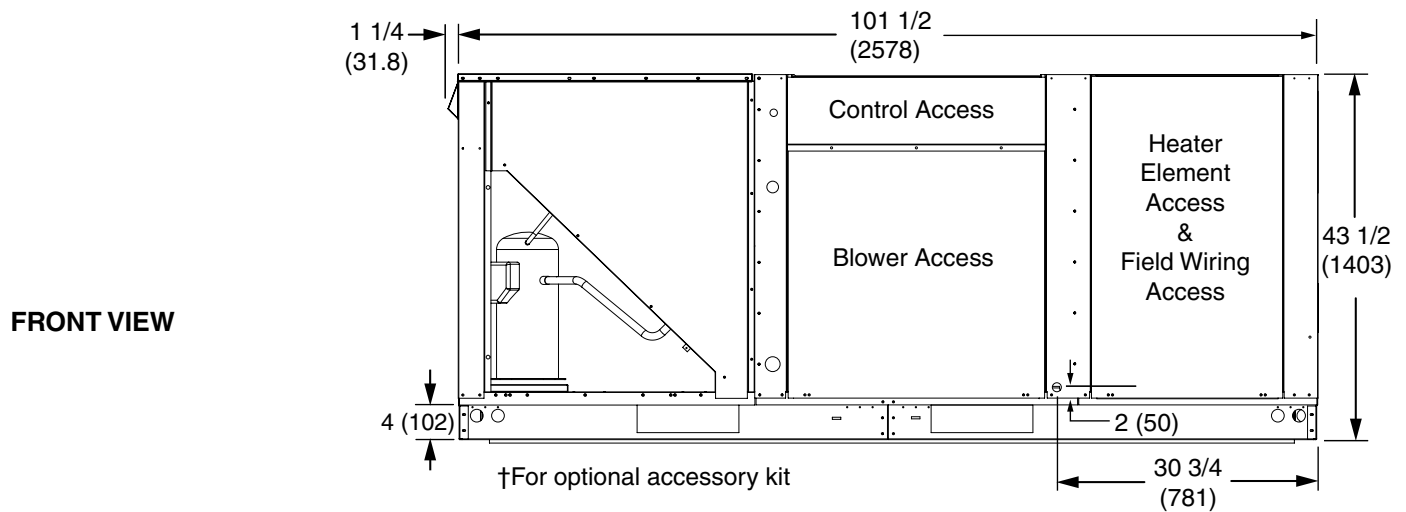
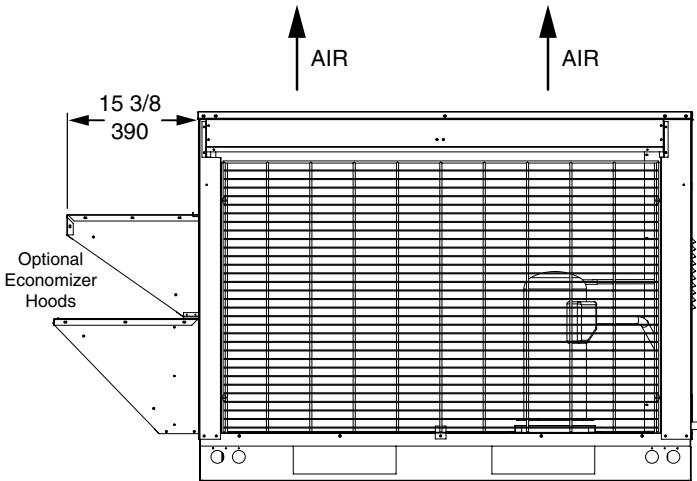
\* Baseraills are not intended to be removed. Information provided is total unit height for Horizontal duct applications or height dimension added to selected roof curb height for Vertical duct applications.

‡ Unit weight without packaging or field installed accessories.

† Field Installed Kit

**PHYSICAL DATA - P6SP 072 ONLY**

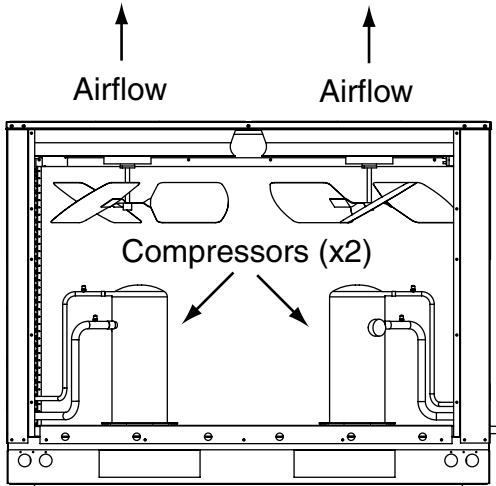
Dimensions shown in inches (mm)



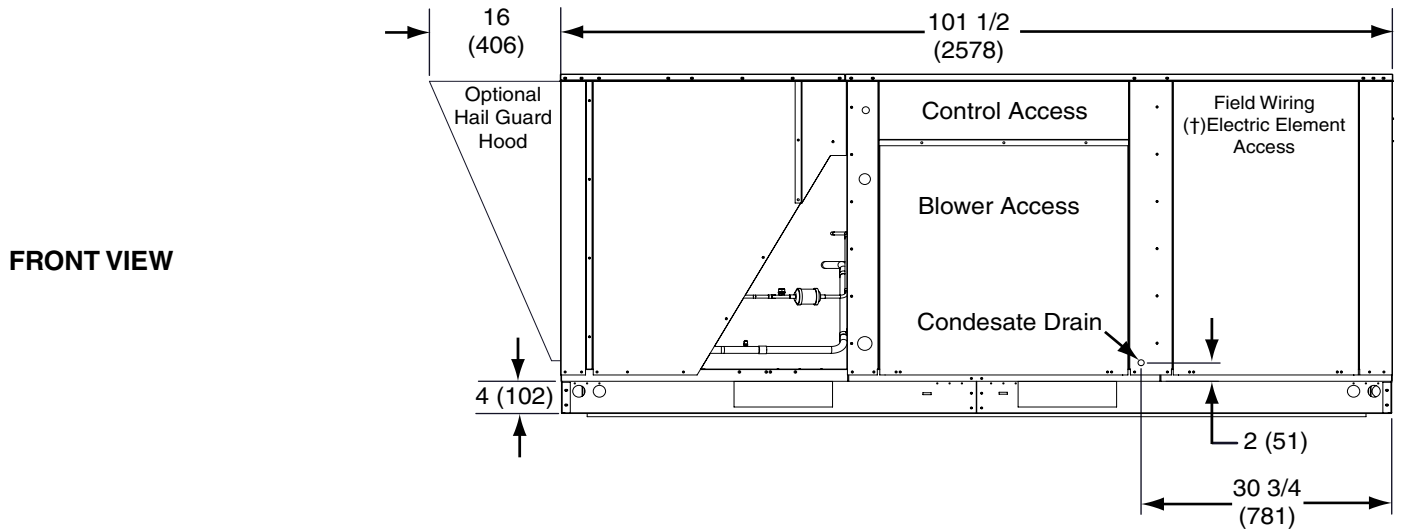
\*Optional accessory kit

**PHYSICAL DATA - P6SP 090 ONLY**

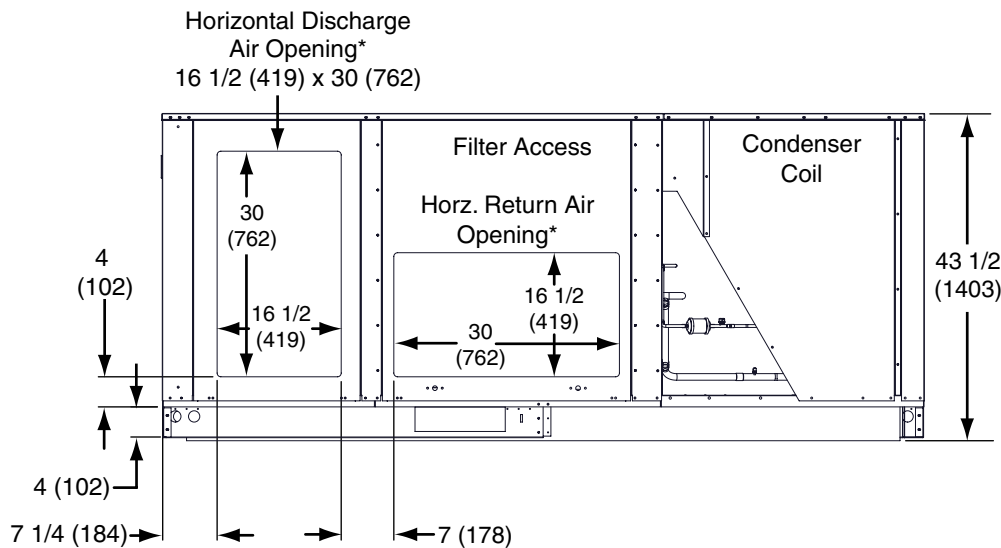
Dimensions shown in inches (mm)



**CONDENSER END**



**FRONT VIEW**

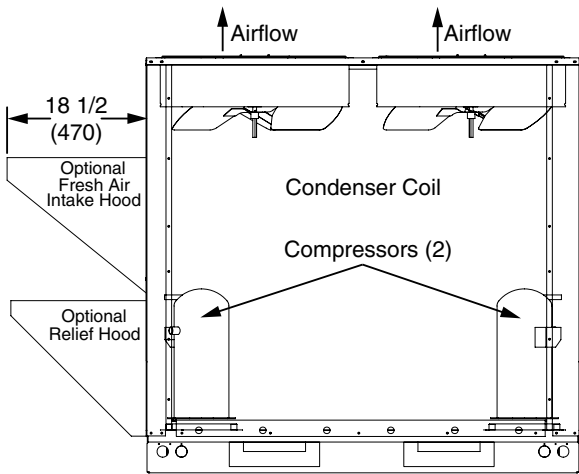


**REAR VIEW**

\*Optional accessory kit

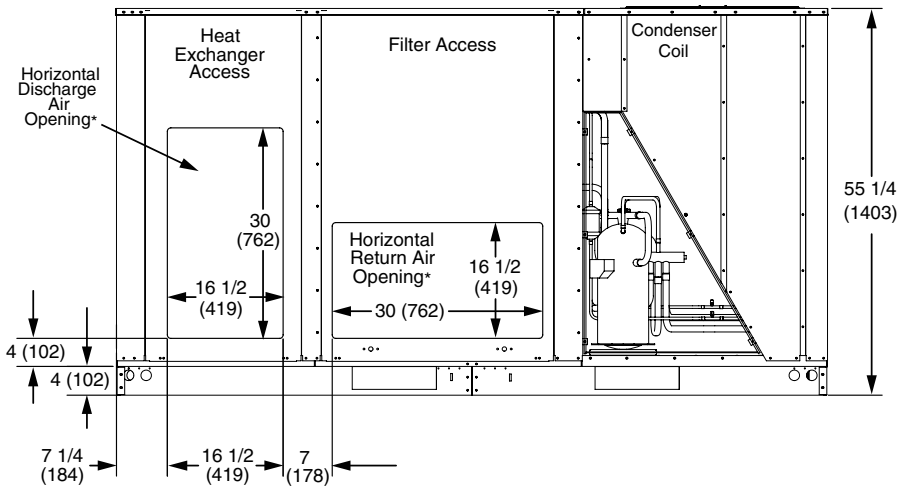
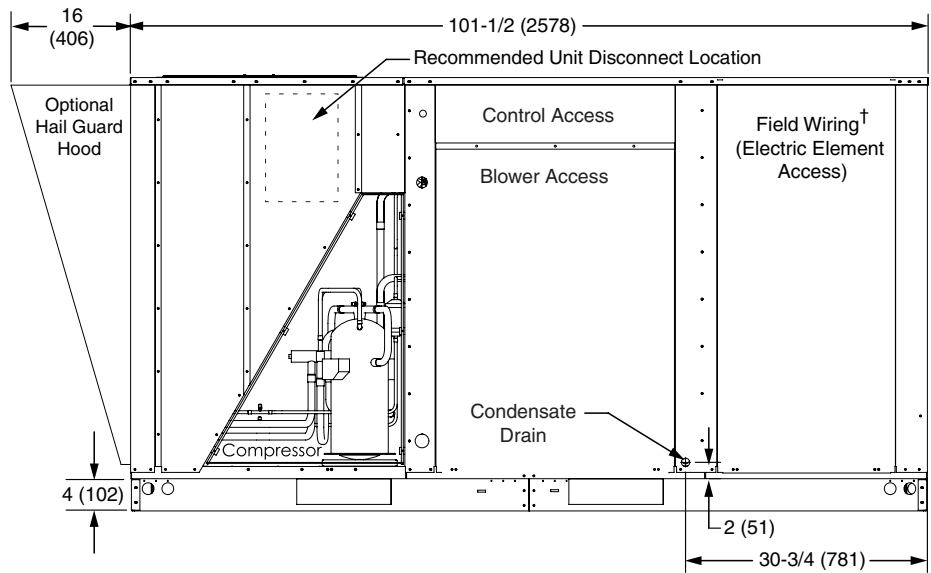
**PHYSICAL DATA - P6SP 120 ONLY**

Dimensions shown in inches (mm)



**CONDENSER END**

**FRONT VIEW**



**REAR VIEW**

\*Optional accessory kit

# SPECIFICATIONS AND ELECTRICAL DATA

Model P6SP-	072(C/D)	090(C/D)a	120(C/D)a
<b>Nominal Capacity (tons)</b>	6	7.5	10
<b>Performance Data</b> <sup>1,2,3</sup>			
Total Gross Cooling Capacity (Btuh)	74,300	93,500	125,000
Rated Net Cooling Capacity (Btuh)	72,000	90,000	119,000
E.E.R. - Cooling Efficiency (Btuh/Watt)	11.2	11.2	11.2
IEER - Part load Efficiency	12.6	12.3	11.5
Rated Airflow - CFM	2,400	3,000	4,000
<b>Compressor Data</b>			
Compressor(s) Type	Scroll	Scroll	Scroll
Quantity (number of refrigeration circuits)	1	2	2
Unit Capacity Steps (%)	100	50/50	50/50
Crankcase Heaters	70 W	40 W	40 W
POE Oil Charge (Ea.)	56 Oz.	42 Oz.	42 Oz.
<b>Refrigerant Charge (R-410a)</b>			
Stage 1 Circuit	240 Oz.	168 Oz.	216 Oz.
Stage 2 Circuit	-	168 Oz.	216 Oz.
<b>System Pressure Switches</b>			
High Pressure Switch (PSIG) Manual Reset	Cut Out: 650 +/- 10		
Loss of Charge Switch (PSIG)	Cut Out: 5 +/- 5 Cut In: 20 +/- 5		
<b>Outdoor Fan Data</b>			
Fan Diameter / Total Nominal CFM	20" / 7000	24" / 8200	24" / 8200
Motor - HP / RPM	1/3 - 1100	1/3 - 1075	1/3 - 1075
Quantity	2	2	2
<b>Outdoor Coil Data</b>			
Rows / fpi	2 / 18	2 / 19	2 / 17
Type	Cu Tube/Al Fin	Cu Tube/Al Fin	Cu Tube/Al Fin
Total Face Area (sq ft)	17.0	25.5	34.0
<b>Indoor Coil Data</b>			
Rows / fpi	4 / 14	4 / 14	4 / 14
Type	Cu Tube/Al Fin	Cu Tube/Al Fin	Cu Tube/Al Fin
Total Face Area (sq ft)	8.5	8.5	11.3
Expansion Device	TXV	TXV	TXV
Freeze Protection Thermostat	Opens (°F): 28 +/- 5, Closes (°F): 57 +/- 6		
<b>Indoor Blower Data</b>			
Blower Type	Centrifugal	Centrifugal	Centrifugal
(Qty.) - Wheel Diameter	(1) - 12 x 12	(1) - 12 x 12	(1) - 15 x 15
Drive Type	Belt	Belt	Belt
<b>Standard Blower Drive Motor †</b>			
Motor - Hp / RPM	1 / 1725	1.5 / 1750	1.5 / 1750
Speeds	1	1	1
Frame Size	143T	143T	143T
NEMA Efficiency	Premium Eff.	Premium Eff.	Premium Eff.
Blower RPM Range	727 - 984	773 - 1064	599 - 816
Blower ESP Range (in-WC)	0.2 - 0.9	0.1 - 1.3	0.1 - 1.0
<b>Installed Filters</b>			
Style	Disposable - 2" Pleated		
Size [inches] (Qty.)	16x20 (4)	16x20 (4)	16x25 (4)
Sound Rating Number dBA	83.5	85.2	85.8

Notes:

† Refer to Alternate Accessory Drive Table for other available motor/drive kits

1) Certified in accordance with AHRI Standard 340/360 at the rated airflow shown and the minimum external static duct pressure allowed by the standard. ARI Rating for units with dual voltages are shown at highest rated unit voltage.

2) E.E.R. - Energy Efficiency Ratio: The EER and Net Capacity is determined @ 95°F Outdoor DB and with air entering the evaporator at 80°F DB / 67°F WB

3) IEER - Intergrated Energy Efficiency Ratio: a measure of merit for part load performance of the unit.

# H5HK HEATER KIT DATA

UNIT INFORMATION		H5HK Heater Kit Information					
Model	Capacity	Part #	H5HK-	Voltage	kW	Breakers	Limit
P6SP	-072C	917423A	009Q-01	208 / 240	6.8 / 9.0	0	160°F
		917424A	018Q-11		13.1 / 17.4	1	160°F
		920614	030Q-22		21.6 / 28.8	2	180°F
P6SP	-072D	920616	009S-01	480	9.9	0	155°F
		917426A	018S-01		18	0	160°F
		920615	030S-01		28.8	0	180°F
P6SP	-090Ca	917423A	009Q-01	208 / 240	6.8 / 9.0	0	160°F
		917424A	018Q-11		13.1 / 17.4	1	160°F
		920614	030Q-22		21.6 / 28.8	2	180°F
		917425A	035Q-22		26.2 / 34.8	2	210°F *
P6SP	-090Da	920616	009S-01	480	9.9	0	155°F
		917426A	018S-01		18	0	160°F
		920615	030S-01		28.8	0	180°F
		917427A	035S-01		34.8	0	210°F *
P6SP	-120Ca	917423A	009Q-01	208 / 240	6.8 / 9.0	0	160°F
		917424A	018Q-11		13.1 / 17.4	1	160°F
		920614	030Q-22		21.6 / 28.8	2	180°F
		917425A	035Q-22		26.2 / 34.8	2	210°F *
P6SP	-120Da	920616	009S-01	480	9.9	0	155°F
		917426A	018S-01		18	0	160°F
		920615	030S-01		28.8	0	180°F
		917427A	035S-01		34.8	0	210°F *

Note:

1) Circuit Breakers included with kits are for heater kit short circuit protection ONLY and are not to be used as a disconnect means.

2) \* 210°F Limits are included w/ kit & require field installation.

## ELECTRIC HEATER KIT TEMPERATURE RISE, REFERENCE DATA

H5HK Model	Voltage	kW	Btuh	CFM Range						
				SCFM	2100	2500	2900	3300	3700	4500
009Q	208	6.8	23,202	Rise (°F)	10	9	7	7	6	5
	240	9.0	30,708		14	11	10	9	8	6
009S	480	9.9	33,779		15	13	11	9	8	7
018Q	208	13.1	44,697	Rise (°F)	20	17	14	13	11	9
	240	17.4	59,369		26	22	19	17	15	12
018S	480	18.0	61,416		27	23	20	17	15	13
030Q	208	21.6	73,699	Rise (°F)	32	27	24	21	18	15
	240	28.8	98,266		43	36	31	28	25	20
030S	480	28.8	98,266		43	36	31	28	25	20
035Q	208	26.2	89,394	Rise (°F)	39	33	29	25	22	18
	240	34.8	118,738		52	44	38	33	30	24
035S	480	34.8	118,738		52	44	38	33	30	24

### Recommended Minimum CFM, H5HK heater kits

The minimum air supplied to the H5HK heater kits is dependant upon the installed external static pressure. As a general rule, Nordyne recommends using 350 cfm/ton as a design minimum. However, at start up the temperature rise should always be verify to avoid nuisance tripping.



# P6SP ELECTRICAL DATA

## Multiple Supply Circuits / Unit Only

Model Number P6SP- (See Notes 2 & 3)	Nominal Unit Voltage (See Note 1)	High Static Kit #	Compressors				Outdoor Motors (2) ea.	Indoor Motor (See Note 4)	Total Unit RLA	Unit Only Circuit	
<b>Factory Unit Electrical Data:</b>											
			Qty	RLA	LRA	FLA	Hp	FLA	RLA	MCA	MOP
-072C	208 - 230 V	Factory Std.	1 ea.	19	123	1.5	1	3.2 - 3.1	25.2	30 - 30	45 - 45
-072D	460 V		1 ea.	9.7	62	0.8		1.5	12.8	16	20
-090Ca	208 - 230 V	Factory Std.	2 ea.	13.1	83.1	2.3	1.5	4.4 - 4.2	35.2	39 - 39	50 - 50
-090Da	460 V		2 ea.	6.1	41	1.2		2.1	16.7	19	20
-120Ca	208 - 230 V	Factory Std.	2 ea.	16.0	110	2.3	1.5	4.4 - 4.2	41.0	45 - 45	60 - 60
-120Da	460 V		2 ea.	7.8	52	1.2		2.1	20.1	22	25
<b>Medium &amp; High Static Drive Electrical Data: (See Note 5)</b>											
-072C	208 - 230 V	920609	1 ea.	19	123	1.5	1.5	4.4 - 4.2	26.4	32 - 31	50 - 45
-072D	460 V	920560	1 ea.	9.7	62	0.8		2.1	13.4	16	25
-090Ca	208 - 230 V	921481	2 ea.	13.1	83.1	2.3	2	6.0 - 5.8	36.8	40 - 40	50 - 50
-090Da	460 V		2 ea.	6.1	41	1.2		2.9	17.5	19	25
-120Ca	208 - 230 V	921645	2 ea.	16.0	110	2.3	2	6.0 - 5.8	42.6	47 - 47	60 - 60
-120Da	460 V		2 ea.	7.8	52	1.2		2.9	20.9	23	30

## H5HK Electrical Data - Multiple Supply Circuits

H5HK Heater Kit Model # (See Note 6)	Electric Heat Kit (Field Installed with Multiple Circuit Kit # 917468) Electrical Data Table - Heater ONLY					
	Nominal Heater kW	Line Voltage	Actual Heater kW	Heater Amps (Line)	Heater Only Circuit	
					MCA	MOP
009Q-01	9	208 / 240	6.76 / 9.0	18.76 / 21.65	23.5 / 27.1	25 / 30
018Q-11	18	208 / 240	13.07 / 17.4	36.28 / 41.86	45.3 / 52.3	50 / 60
030Q-22	30	208 / 240	21.63 / 28.80	60.0 / 69.3	75.1 / 86.6	80 / 90
035Q-22	35	208 / 240	26.1 / 34.8	72.55 / 83.72	90.7 / 104.6	100 / 110
009S-01	9	480	9.9	11.91	14.9	15
018S-01	18	480	18	21.65	27.1	30
030S-01	30	480	28.8	34.64	43.3	45
035S-01	35	480	34.8	41.86	52.3	60

### NOTES:

- To achieve the rated unit performance, unit voltage should be within 2% of nominal.
- For C series units: Nominal Unit Input Voltage = 208-230 Volt, 60 Hertz, 3 Phase  
Minimum allowed unit voltage = 187V, Maximum allowed voltage = 253V
- For D series units: Nominal Unit Input Voltage = 460 Volt, 60 Hertz, 3 Phase  
Minimum allowed unit voltage = 414V, Maximum allowed voltage = 506V
- Indoor Motors meet 2010 DOE requirements (Premium Efficient)
- Refer to High Static Drive Kit Installation Instructions for additional information
- Refer to H5HK Kit Installation Instructions for additional information
- FLA = Full Load Amps, MCA = Minimum Circuit Ampacity, RLA = Rated Load Amps  
MOP = Maximum Over-Current Protection, LRA = Locked Rotor Amps
- Refer to Single Supply Circuit table for single circuit MCA/MOP data.
- For heater capacity at 230V, multiply 240V kW value by 0.92
- For heater capacity at 460V, multiply 480V kW value by 0.92.

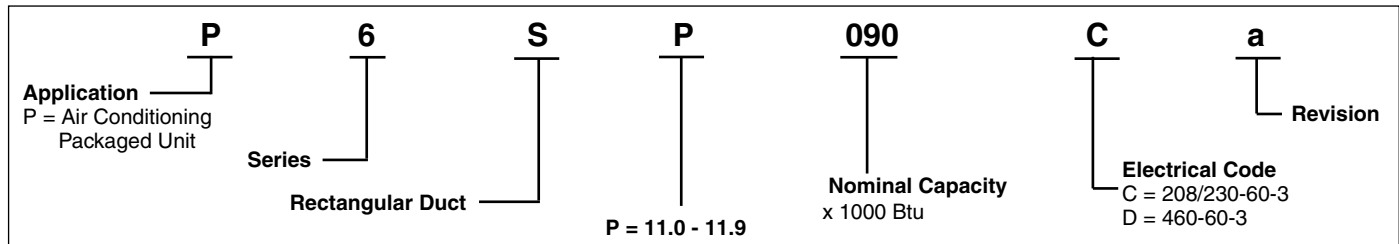
# P6SP ELECTRICAL DATA

## P6SP Electrical Data - Single Supply Circuits

Model Number P6SP-	Nominal Unit Voltage	High Static Kit #	Single Circuit (Unit + Heater Kit) See Note							
			MCA				MOP			
<b>Factory Unit Electrical Data:</b>										
			<b>9 kW</b>	<b>18 kW</b>	<b>30 kW</b>	<b>35 kW</b>	<b>9 kW</b>	<b>18 kW</b>	<b>30 kW</b>	<b>35 kW</b>
-072C	208 - 230 V	Factory Std.	30 - 31	50 - 57	80 - 91	- N/A -	45 - 45	50 - 60	80 - 100	- N/A -
-072D	460 V		17	29	46	- N/A -	20	30	50	- N/A -
-090Ca	208 - 230 V	Factory Std.	39 - 39	51 - 58	81 - 92	97 - 110	50 - 50	60 - 60	90 - 100	100 - 110
-090Da	460 V		19	30	46	55	20	30	50	60
-120Ca	208 - 230 V	Factory Std.	45 - 45	51 - 58	81 - 92	97 - 110	60 - 60	60 - 60	90 - 100	100 - 110
-120Da	460 V		22	30	46	55	25	30	50	60
<b>Medium &amp; High Static Drive Electrical Data:</b>										
-072C	208 - 230 V	920609	32 - 33	51 - 58	81 - 92	- N/A -	50 - 45	60 - 60	90 - 100	- N/A -
-072D	460 V	920560	18	30	46	- N/A -	25	30	50	- N/A -
-090Ca	208 - 230 V	921481	40 - 40	53 - 60	83 - 94	99 - 112	50 - 50	60 - 60	90 - 100	100 - 125
-090Da	460 V		19	31	47	56	25	35	50	60
-120Ca	208 - 230 V	921645	47 - 47	53 - 60	83 - 94	99 - 112	60 - 60	60 - 60	90 - 100	100 - 125
-120Da	460 V		23	31	47	56	30	35	50	60

**NOTE:** Nordyne specifically recommends the use of the 917468 Dual Circuit adapter kit for all applications of H5HK 30kW & 35kW Electric Heat Kits.

## MODEL IDENTIFICATION CODE



## ELECTRICAL DATA FOR POWER EXHAUST ACCESSORY KITS

Model	Part #	Volts	HP	CFM	FLA	Fuse	MCA	MOP
P6SP-072 & 090	547867	230	1/2	2350	3.0	6A	3.75	6.75
P6SP-072 & 090	547868	460	1/2	2350	1.5	3A	1.88	3.38
P6SP-120	547876	230	3/4	4900	4.0	9A	5.00	9.00
P6SP-120	547877	460	3/4	4900	2.0	4A	2.50	4.50

**NOTE:** Requires separate branch circuit.

# P6SP - EXPANDED RATINGS, COOLING MODE

## P6SP-072(C/D)

O.D.T			85°F			95°F			105°F			115°F		
CFM	E.D.B.	E.W.B.	T.C.	S.C.	kW	T.C.	S.C.	kW	T.C.	S.C.	kW	T.C.	S.C.	kW
2250	75	62	68.4	52.3	5.64	63.1	49.9	6.24	57.7	47.6	6.85	52.4	45.2	7.46
		67	76.1	41.1	5.73	70.6	39.0	6.33	65.0	36.8	6.92	59.5	34.7	7.52
		72	84.7	32.3	5.82	78.7	30.2	6.41	72.8	28.2	7.01	66.8	26.1	7.60
	80	62	68.7	63.0	5.65	63.7	60.5	6.21	58.6	57.9	6.78	54.4	54.2	7.47
		67	76.1	52.3	5.74	71.4	50.3	6.28	66.7	48.2	6.83	60.7	45.5	7.54
		72	84.1	41.5	5.85	78.8	39.4	6.37	73.4	37.2	6.89	67.0	34.5	7.55
2400	75	62	69.2	54.2	5.73	63.9	51.7	6.34	58.6	49.3	6.95	53.3	46.8	7.55
		67	77.1	42.4	5.81	71.6	40.0	6.41	66.2	37.6	7.01	60.7	35.2	7.61
		72	85.9	32.3	5.92	79.9	30.5	6.51	73.8	28.7	7.10	67.8	26.9	7.70
	80	62	69.7	64.4	5.75	65.1	61.4	6.35	60.5	58.5	6.95	55.9	55.6	7.55
		67	77.0	54.1	5.82	<b>72.0</b>	<b>51.7</b>	<b>6.43</b>	65.9	49.4	7.08	60.4	47.0	7.71
		72	85.1	42.7	5.92	79.5	40.3	6.50	73.9	37.9	7.09	68.2	35.5	7.67
2550	75	62	70.0	56.0	5.82	64.7	53.5	6.43	59.5	50.9	7.04	54.2	48.4	7.65
		67	78.0	43.7	5.89	72.7	41.0	6.50	67.3	38.4	7.10	61.9	35.7	7.71
		72	87.0	32.2	6.01	81.0	30.7	6.61	74.9	29.1	7.20	68.8	27.6	7.79
	80	62	70.6	65.8	5.85	66.2	62.8	6.45	62.5	60.9	6.97	57.3	56.9	7.63
		67	77.9	56.0	5.90	72.6	53.4	6.50	67.4	50.9	7.11	62.2	48.3	7.71
		72	86.1	43.9	5.98	80.6	41.4	6.59	75.0	38.9	7.19	69.5	36.4	7.79

## P6SP-072(C/D) CONTINUED

O.D.T			55°F			65°F			75°F			85°F		
CFM	E.D.B.	E.W.B.	T.C.	S.C.	kW	T.C.	S.C.	kW	T.C.	S.C.	kW	T.C.	S.C.	kW
2250	75	62	78.6	57.9	4.49	75.2	56.0	4.87	71.8	54.2	5.25	68.4	52.3	5.64
		67	86.8	46.7	4.59	83.2	44.8	4.97	79.7	43.0	5.35	76.1	41.1	5.73
		72	95.0	36.1	4.70	91.6	34.8	5.07	88.1	33.6	5.45	84.7	32.3	5.82
	80	62	79.2	68.9	4.47	75.8	66.9	4.85	72.8	65.5	5.21	68.7	63.0	5.65
		67	87.3	58.2	4.57	83.8	56.3	4.95	80.6	54.9	5.31	76.1	52.3	5.74
		72	95.0	45.6	4.69	91.6	44.3	5.06	88.8	43.5	5.41	84.1	41.5	5.85
2400	75	62	79.6	59.7	4.58	76.1	57.8	4.97	72.6	56.0	5.35	69.2	54.2	5.73
		67	87.6	48.0	4.68	84.1	46.1	5.06	80.6	44.3	5.44	77.1	42.4	5.81
		72	95.6	36.0	4.79	92.4	34.8	5.17	89.1	33.5	5.54	85.9	32.3	5.92
	80	62	80.2	70.6	4.57	76.7	68.7	4.95	73.6	67.3	5.31	69.7	64.4	5.75
		67	88.1	59.5	4.66	84.6	57.6	5.03	81.5	56.2	5.39	77.0	54.1	5.82
		72	95.6	45.5	4.78	92.4	44.2	5.15	89.8	43.4	5.50	85.1	42.7	5.92
2550	75	62	80.5	61.5	4.68	77.0	59.6	5.06	73.5	57.8	5.44	70.0	56.0	5.82
		67	88.3	49.3	4.77	84.9	47.4	5.15	81.5	45.6	5.52	78.0	43.7	5.89
		72	96.2	35.9	4.88	93.1	34.7	5.26	90.1	33.4	5.64	87.0	32.2	6.01
	80	62	81.1	72.4	4.66	77.6	70.5	5.04	74.5	69.2	5.40	70.6	65.8	5.85
		67	88.8	60.8	4.75	85.5	58.9	5.12	82.4	57.5	5.48	77.9	56.0	5.90
		72	96.2	45.4	4.88	93.2	44.1	5.24	90.8	43.4	5.60	86.1	43.9	5.98

Notes:

- 1) T.C. = Total (Net) Cooling Capacity, S.C. = Sensible Cooling Capacity, kW = Kilowatts
- 2) Expanded Ratings are based on 230 Volt - 60 Hz operation
- 3) Ratings based on factory standard blower drive
- 4) Bolded Values indicate ARI rating points
- 5) Energy Efficiency Ratio (EER) = T.C. / kW

## P6SP - EXPANDED RATINGS, COOLING MODE (Continued)

### P6SP-090(C/D)a (Two Compressor Operation)

O.D.T			85°F			95°F			105°F			115°F		
CFM	E.D.B.	E.W.B.	T.C.	S.C.	kW	T.C.	S.C.	kW	T.C.	S.C.	kW	T.C.	S.C.	kW
2825	75	62	85.3	65.2	7.08	81.3	63.9	7.74	73.4	62.7	8.84	68.5	61.2	9.39
		67	93.3	52.4	7.19	88.8	51.2	7.84	80.1	50.0	8.94	74.8	48.6	9.46
		72	101.9	39.3	7.31	97.3	38.0	7.97	87.7	36.7	9.06	82.0	35.3	9.59
	80	62	86.0	76.5	7.09	82.2	75.5	7.75	74.3	74.5	8.85	69.8	73.6	9.40
		67	92.9	64.4	7.18	88.6	63.4	7.84	80.0	62.4	8.94	74.7	61.2	9.46
		72	101.7	51.4	7.31	97.0	50.4	7.96	87.5	49.3	9.06	81.6	48.1	9.58
3000	75	62	86.8	69.4	7.27	82.7	68.1	7.93	74.5	66.8	9.05	69.5	65.3	9.57
		67	94.6	55.2	7.38	90.0	54.0	8.03	80.9	52.7	9.14	75.3	51.3	9.64
		72	103.5	40.4	7.51	98.6	39.1	8.17	88.8	37.8	9.27	82.9	36.3	9.78
	80	62	87.9	81.9	7.29	84.3	81.8	7.96	76.6	80.3	9.08	72.2	76.4	9.60
		67	94.5	68.5	7.38	<b>90.0</b>	<b>67.5</b>	<b>8.04</b>	81.2	66.5	9.14	75.6	65.3	9.65
		72	103.1	54.2	7.51	98.2	53.1	8.16	88.4	52.0	9.26	82.5	50.9	9.78
3190	75	62	87.9	73.3	7.46	83.7	72.0	8.12	75.3	70.7	9.24	70.2	69.1	9.75
		67	95.3	57.8	7.57	90.3	56.5	8.22	81.2	55.1	9.32	75.7	53.6	9.82
		72	104.6	41.4	7.71	99.5	40.1	8.36	89.6	38.7	9.46	83.5	37.3	9.95
	80	62	90.3	88.4	7.50	86.7	86.3	8.16	78.7	78.3	8.49	74.0	73.7	9.80
		67	95.6	72.5	7.57	91.1	71.4	8.23	82.0	70.4	8.56	76.6	69.2	9.83
		72	104.1	56.8	7.70	98.9	55.7	8.35	88.9	54.7	8.68	82.4	53.4	9.95

### P6SP-090 (C/D)a (One Compressor operation)

O.D.T			55 °F			65 °F			75 °F			85 °F		
CFM	E.D.B.	E.W.B.	T.C.	S.C.	kW	T.C.	S.C.	kW	T.C.	S.C.	kW	T.C.	S.C.	kW
2825	75	62	58.5	52.6	3.74	52.5	47.2	3.88	48.0	44.1	4.10	45.0	43.2	4.42
		67	64.7	44.3	3.81	58.8	38.9	3.95	54.3	35.8	4.18	51.3	34.9	4.49
		72	71.7	35.0	3.90	65.8	29.7	4.04	61.3	26.6	4.26	58.2	25.7	4.57
	80	62	59.3	59.3	3.78	53.3	53.3	3.92	48.8	48.8	4.15	45.8	45.8	4.46
		67	64.6	57.4	3.85	58.7	52.0	3.98	54.2	48.9	4.21	51.1	48.0	4.52
		72	70.5	49.5	3.92	64.6	44.1	4.06	60.1	41.0	4.28	57.0	40.1	4.59
3000	75	62	59.0	53.7	3.77	53.1	48.3	3.91	48.6	45.2	4.14	45.5	44.3	4.45
		67	65.3	45.3	3.85	59.4	40.0	3.99	54.9	36.9	4.21	51.8	36.0	4.53
		72	72.2	36.1	3.93	66.3	30.8	4.07	61.8	27.6	4.30	58.8	26.8	4.61
	80	62	59.8	59.8	3.82	53.9	53.9	3.96	49.4	49.4	4.18	46.3	46.3	4.49
		67	65.1	58.4	3.88	59.2	53.1	4.02	54.7	50.0	4.24	51.6	49.1	4.56
		72	71.1	50.6	3.95	65.1	45.2	4.09	60.6	42.1	4.32	57.6	41.2	4.63
3190	75	62	59.5	55.3	3.77	53.6	50.0	3.90	49.1	46.8	4.13	46.0	46.0	4.44
		67	65.8	47.0	3.84	59.8	41.6	3.98	55.3	38.5	4.20	52.3	37.6	4.52
		72	72.7	37.8	3.92	66.8	32.4	4.06	62.3	29.3	4.29	59.2	28.4	4.60
	80	62	60.3	60.3	3.81	54.4	54.4	3.95	49.9	49.9	4.17	46.8	46.8	4.49
		67	65.6	60.1	3.87	59.7	54.7	4.01	55.2	51.6	4.24	52.1	50.7	4.55
		72	71.5	52.2	3.94	65.6	46.9	4.08	61.1	43.7	4.31	58.0	42.9	4.62

**Notes:**

- 1) T.C. = total (Net) cooling in kBtu/h; S.C. = Sensible Cooling in kBtu/h; kW = Kilowatts
- 2) Ratings are based on the Factory Standard blower drive combination
- 3) For 208-230V Units, the ratings shown reflect 230V operation
- 4) **Bolded** Values indicate AHRI rating points
- 5) Energy Efficiency Ratio (EER) = T.C./kW

# P6SP - EXPANDED RATINGS, COOLING MODE (Continued)

## P6SP-120(C/D)a (Two Compressor Operation)

O.D.T			85°F			95°F			105°F			115°F		
CFM	E.D.B.	E.W.B.	T.C.	S.C.	kW	T.C.	S.C.	kW	T.C.	S.C.	kW	T.C.	S.C.	kW
3500	75	62	112.7	86.5	9.36	107.5	84.9	10.24	97.0	83.3	11.68	90.5	81.3	12.41
		67	123.3	69.6	9.50	117.4	68.0	10.37	105.9	66.3	11.82	98.8	64.5	12.50
		72	134.7	52.2	9.67	128.6	50.5	10.53	115.9	48.7	11.98	108.4	46.9	12.68
	80	62	113.7	101.5	9.37	108.6	100.3	10.25	98.2	98.9	11.71	92.3	97.8	12.43
		67	122.8	85.5	9.49	117.2	84.2	10.36	105.7	82.8	11.82	98.8	81.3	12.51
		72	134.4	68.3	9.67	128.2	66.9	10.53	115.6	65.5	11.98	107.9	63.9	12.67
4000	75	62	114.8	92.1	9.62	109.3	90.4	10.49	98.5	88.7	11.96	91.8	86.7	12.65
		67	125.0	73.3	9.76	118.9	71.6	10.62	107.0	70.0	12.08	99.6	68.1	12.74
		72	136.8	53.6	9.93	130.3	51.9	10.80	117.4	50.1	12.25	109.6	48.2	12.93
	80	62	116.2	108.8	9.64	111.5	108.6	10.52	101.3	106.6	12.01	95.4	101.5	12.69
		67	124.9	91.0	9.75	<b>119.0</b>	<b>89.6</b>	<b>10.62</b>	107.3	88.3	12.09	100.0	86.7	12.75
		72	136.3	71.9	9.93	129.8	70.5	10.79	116.9	69.1	12.25	109.1	67.6	12.92
4500	75	62	116.2	97.4	9.87	110.7	95.6	10.74	99.6	93.9	12.22	92.8	91.8	12.89
		67	125.9	76.8	10.00	119.4	75.0	10.86	107.3	73.2	12.33	100.0	71.2	12.98
		72	138.2	55.0	10.19	131.6	53.2	11.05	118.4	51.4	12.51	110.4	49.5	13.16
	80	62	119.4	117.4	9.91	114.6	114.6	10.79	104.0	104.0	11.22	97.8	97.8	12.95
		67	126.4	96.2	10.01	120.4	94.9	10.88	108.5	93.5	11.31	101.2	91.9	13.00
		72	137.6	75.4	10.18	130.7	74.0	11.04	117.5	72.6	11.48	108.9	70.9	13.16

## P6SP-120(C/D)a (One compressor operation)

O.D.T			55 °F			65 °F			75 °F			85 °F		
CFM	E.D.B.	E.W.B.	T.C.	S.C.	kW	T.C.	S.C.	kW	T.C.	S.C.	kW	T.C.	S.C.	kW
3500	75	62	65.9	49.1	4.50	61.8	46.9	4.80	56.8	44.3	5.10	50.7	41.4	5.50
		67	73.8	37.5	4.70	69.8	35.3	5.00	64.7	32.7	5.30	58.7	29.8	5.70
		72	82.6	27.7	4.80	78.6	25.5	5.10	73.5	22.9	5.50	67.5	19.9	5.90
	80	62	69.9	58.8	4.30	65.9	56.6	4.60	60.9	54.0	5.00	54.8	51.0	5.30
		67	76.7	47.9	4.50	72.6	45.6	4.70	67.6	43.1	5.10	61.5	40.1	5.50
		72	84.2	36.5	4.60	80.1	34.3	4.90	75.1	31.7	5.20	69.0	28.8	5.60
4000	75	62	66.9	50.5	4.90	62.9	48.3	5.20	57.9	45.7	5.50	51.8	42.8	5.90
		67	74.9	38.8	5.00	70.8	36.5	5.30	65.8	34.0	5.60	59.7	31.0	6.00
		72	83.7	28.8	5.20	79.6	26.6	5.40	74.6	24.0	5.80	68.5	21.0	6.20
	80	62	68.8	58.9	5.00	64.8	56.7	5.20	59.8	54.1	5.60	53.7	51.2	6.00
		67	75.5	48.4	5.10	71.5	46.2	5.30	66.5	43.6	5.70	60.4	40.7	6.10
		72	83.0	37.5	5.20	79.0	35.3	5.40	74.0	32.7	5.80	67.9	29.7	6.20
4500	75	62	68.0	51.9	5.20	64.0	49.7	5.50	58.9	47.1	5.80	52.9	44.2	6.20
		67	75.9	40.0	5.40	71.9	37.8	5.60	66.9	35.2	6.00	60.8	32.2	6.40
		72	84.7	29.9	5.50	80.7	27.7	5.80	75.7	25.1	6.10	69.6	22.1	6.50
	80	62	67.9	59.0	5.60	63.9	56.8	5.90	58.9	54.2	6.20	52.8	51.3	6.60
		67	74.4	49.0	5.70	70.4	46.7	5.90	65.4	44.1	6.30	59.3	41.2	6.70
		72	82.3	38.1	5.70	78.2	35.9	6.00	73.2	33.3	6.30	67.1	30.3	6.70

Notes:

- 1 ) T.C. = total (Net) cooling in kBtuh; S.C. = Sensible Cooling in kBtuh; kW = Kilowatts
- 2 ) Ratings are based on the Factory Standard blower drive combination
- 3 ) For 208-230V Units, the ratings shown reflect 230V operation
- 4 ) Bolded Values indicate AHRI rating points
- 5 ) Energy Efficiency Ratio (EER) = T.C./kW

# BLOWER PERFORMANCE - DOWNFLOW CONFIGURATION

## P6SP-072(C/D)

Factory Standard: 1Hp Down-flow Performance Chart

‡ Indicates Factory Sheave Setting

External Unit Static (in-Wg)	Operating @ 230 or 460 Volts	Adjustable Motor Sheave Setting											
		Fully Closed	1/2 Turn Open	1 Turn Open	1.5 Turns Open	2.0 Turns Open	2.5 Turns Open	3.0 Turns Open	3.5 Turns Open	4.0 Turns Open	4.5 Turns Open	5.0 Turns Open ‡	
0.2	CFM										<b>2656</b>	<b>2539</b>	<b>2422</b>
	RPM										<b>797</b>	<b>771</b>	<b>744</b>
	kW										<b>0.81</b>	<b>0.73</b>	<b>0.66</b>
0.3	CFM							2751	<b>2617</b>	<b>2483</b>	<b>2334</b>	<b>2185</b>	
	RPM							850	<b>826</b>	<b>801</b>	<b>774</b>	<b>747</b>	
	kW							0.94	<b>0.85</b>	<b>0.76</b>	<b>0.67</b>	<b>0.58</b>	
0.4	CFM							<b>2680</b>	<b>2559</b>	<b>2405</b>	<b>2251</b>	<b>2098</b>	<b>1945</b>
	RPM							<b>874</b>	<b>852</b>	<b>829</b>	<b>805</b>	<b>778</b>	<b>750</b>
	kW							<b>0.95</b>	<b>0.86</b>	<b>0.76</b>	<b>0.66</b>	<b>0.59</b>	<b>0.52</b>
0.5	CFM							<b>2593</b>	<b>2458</b>	<b>2322</b>	<b>2181</b>	<b>2040</b>	<b>1870</b>
	RPM							<b>897</b>	<b>876</b>	<b>855</b>	<b>831</b>	<b>807</b>	<b>780</b>
	kW							<b>0.96</b>	<b>0.88</b>	<b>0.80</b>	<b>0.71</b>	<b>0.62</b>	<b>0.54</b>
0.6	CFM							<b>2395</b>	<b>2255</b>	<b>2115</b>	<b>1960</b>	1805	
	RPM							<b>901</b>	<b>880</b>	<b>858</b>	<b>834</b>	809	
	kW							<b>0.87</b>	<b>0.79</b>	<b>0.71</b>	<b>0.63</b>	0.55	
0.7	CFM			<b>2509</b>	<b>2362</b>	<b>2214</b>	<b>2042</b>	<b>1870</b>					
	RPM			<b>956</b>	<b>930</b>	<b>904</b>	<b>883</b>	<b>861</b>					
	kW			<b>1.01</b>	<b>0.91</b>	<b>0.81</b>	<b>0.72</b>	<b>0.63</b>					
0.8	CFM		<b>2403</b>	<b>2318</b>	<b>2158</b>	<b>1998</b>							
	RPM		<b>981</b>	<b>959</b>	<b>933</b>	<b>907</b>							
	kW		<b>1.00</b>	<b>0.92</b>	<b>0.82</b>	<b>0.72</b>							
0.9	CFM		<b>2230</b>	<b>2112</b>	<b>1960</b>	1807							
	RPM		<b>984</b>	<b>962</b>	<b>936</b>	910							
	kW		<b>0.94</b>	<b>0.83</b>	<b>0.75</b>	0.68							
1.0	CFM												
	RPM												
	kW												

Values includes losses for: Unit Casing, 2" Disposable (Pleated) Filters & Dry Evaporator Coil  
 When used with H5HK Heater kits, not all operational points shown may be available for use. Refer to the H5HK Installation Instructions to determine the minimum airflow requirements of the applicable heater assembly.  
 Deduct 250 Cfm for electric heater kits

# BLOWER PERFORMANCE - HORIZONTAL FLOW CONFIGURATION

## P6SP-072(C/D)

Factory Standard: 1.5Hp Horizontal Performance Chart

‡ Indicates Factory Sheave Setting for Pre-configured Units

External Unit Static (in-Wg)	Operating @ 230 or 460 Volts	Adjustable Motor Sheave Setting											
		Fully Closed	1/2 Turn Open	1 Turn Open	1.5 Turns Open ‡	2.0 Turns Open	2.5 Turns Open	3.0 Turns Open	3.5 Turns Open	4.0 Turns Open	4.5 Turns Open	5.0 Turns Open	
0.2	CFM												<b>2665</b>
	RPM												<b>727</b>
	kW												<b>0.74</b>
0.3	CFM										<b>2720</b>	<b>2584</b>	<b>2447</b>
	RPM										<b>781</b>	<b>755</b>	<b>729</b>
	kW										<b>0.82</b>	<b>0.75</b>	<b>0.67</b>
0.4	CFM									<b>2654</b>	<b>2504</b>	<b>2346</b>	<b>2188</b>
	RPM									<b>808</b>	<b>784</b>	<b>757</b>	<b>730</b>
	kW									<b>0.85</b>	<b>0.74</b>	<b>0.67</b>	<b>0.60</b>
0.5	CFM								<b>2591</b>	<b>2425</b>	<b>2258</b>	<b>2081</b>	<b>1904</b>
	RPM								<b>836</b>	<b>812</b>	<b>788</b>	<b>760</b>	<b>731</b>
	kW								<b>0.88</b>	<b>0.77</b>	<b>0.67</b>	<b>0.60</b>	<b>0.54</b>
0.6	CFM					<b>2687</b>	<b>2518</b>	<b>2349</b>	<b>2177</b>	<b>2005</b>			
	RPM					<b>885</b>	<b>862</b>	<b>838</b>	<b>815</b>	<b>791</b>			
	kW					<b>0.98</b>	<b>0.88</b>	<b>0.79</b>	<b>0.69</b>	<b>0.59</b>			
0.7	CFM					<b>2460</b>	<b>2276</b>	<b>2092</b>					
	RPM					<b>889</b>	<b>865</b>	<b>841</b>					
	kW					<b>0.90</b>	<b>0.80</b>	<b>0.70</b>					
0.8	CFM			<b>2572</b>	<b>2383</b>	<b>2193</b>	<b>2007</b>	<i>1821</i>					
	RPM			<b>937</b>	<b>915</b>	<b>892</b>	<b>869</b>	<i>846</i>					
	kW			<b>1.04</b>	<b>0.93</b>	<b>0.82</b>	<b>0.73</b>	<i>0.63</i>					
0.9	CFM			<b>2325</b>	<b>2137</b>	<b>1948</b>							
	RPM			<b>940</b>	<b>919</b>	<b>898</b>							
	kW			<b>0.93</b>	<b>0.82</b>	<b>0.72</b>							
1.0	CFM												
	RPM												
	kW												

Values includes losses for: Unit Casing, 2" Disposable (Pleated) Filters & Dry Evaporator Coil

When utilized with H5HK Heater kits, not all operational points shown may be available for use. Refer to the H5HK Installation Instructions to determine the minimum airflow requirements of the applicable heater assembly.

Deduct 250 Cfm for electric heater kits

# BLOWER PERFORMANCE - DOWNFLOW CONFIGURATION

## P6SP-090(C/D)a

Factory Standard: 1.5Hp Downflow Performance Chart

‡ Indicates Factory Sheave Setting

External Unit Static (in-Wg)	Operating @ 230 or 460 Volts	Adjustable Motor Sheave Setting													
		Fully Closed	1/2 Turn Open	1 Turn Open	1.5 Turns Open	2 Turns Open	2.5 Turns Open	3 Turns Open	3.5 Turns Open	4 Turns Open	4.5 Turns Open ‡	5 Turns Open	5.5 Turns Open	6 Turns Open	
0.1	CFM									3620	3515	3400	<b>3285</b>	<b>3187</b>	<b>3089</b>
	RPM									893	870	847	<b>823</b>	<b>803</b>	<b>783</b>
	kW									1.47	1.35	1.25	<b>1.15</b>	<b>1.06</b>	<b>0.98</b>
0.2	CFM							3590	3477	<b>3363</b>	<b>3248</b>	<b>3132</b>	<b>3031</b>	<b>2930</b>	
	RPM							918	895	<b>872</b>	<b>848</b>	<b>825</b>	<b>805</b>	<b>785</b>	
	kW							1.50	1.39	<b>1.28</b>	<b>1.18</b>	<b>1.08</b>	<b>1.00</b>	<b>0.92</b>	
0.3	CFM						3549	3441	<b>3331</b>	<b>3220</b>	<b>3097</b>	<b>2973</b>	<b>2864</b>	<b>2755</b>	
	RPM						941	920	<b>897</b>	<b>873</b>	<b>850</b>	<b>827</b>	<b>807</b>	<b>786</b>	
	kW						1.55	1.44	<b>1.33</b>	<b>1.22</b>	<b>1.12</b>	<b>1.02</b>	<b>0.94</b>	<b>0.86</b>	
0.4	CFM					3532	3419	<b>3306</b>	<b>3185</b>	<b>3063</b>	<b>2932</b>	<b>2800</b>	<b>2687</b>	2574	
	RPM					965	944	<b>923</b>	<b>899</b>	<b>876</b>	<b>853</b>	<b>830</b>	<b>809</b>	788	
	kW					1.58	1.47	<b>1.36</b>	<b>1.25</b>	<b>1.14</b>	<b>1.05</b>	<b>0.95</b>	<b>0.87</b>	0.80	
0.5	CFM					<b>3382</b>	<b>3267</b>	<b>3152</b>	<b>3021</b>	<b>2889</b>	<b>2750</b>	<b>2611</b>	2484	2357	
	RPM					<b>968</b>	<b>947</b>	<b>925</b>	<b>902</b>	<b>878</b>	<b>855</b>	<b>832</b>	811	790	
	kW					<b>1.50</b>	<b>1.39</b>	<b>1.28</b>	<b>1.17</b>	<b>1.07</b>	<b>0.97</b>	<b>0.87</b>	0.80	0.72	
0.6	CFM				<b>3339</b>	<b>3239</b>	<b>3115</b>	<b>2991</b>	<b>2846</b>	<b>2700</b>	2549	2398	2257		
	RPM				<b>990</b>	<b>972</b>	<b>950</b>	<b>928</b>	<b>904</b>	<b>881</b>	857	833	813		
	kW				<b>1.52</b>	<b>1.41</b>	<b>1.30</b>	<b>1.20</b>	<b>1.09</b>	<b>0.99</b>	0.89	0.80	0.72		
0.7	CFM			<b>3294</b>	<b>3184</b>	<b>3074</b>	<b>2942</b>	<b>2810</b>	<b>2652</b>	2493	2316				
	RPM			<b>1011</b>	<b>993</b>	<b>975</b>	<b>953</b>	<b>930</b>	<b>907</b>	884	859				
	kW			<b>1.55</b>	<b>1.44</b>	<b>1.33</b>	<b>1.22</b>	<b>1.11</b>	<b>1.01</b>	0.90	0.81				
0.8	CFM			<b>3136</b>	<b>3024</b>	<b>2911</b>	<b>2762</b>	<b>2613</b>	2435	2257					
	RPM			<b>1013</b>	<b>995</b>	<b>978</b>	<b>955</b>	<b>933</b>	910	887					
	kW			<b>1.45</b>	<b>1.35</b>	<b>1.24</b>	<b>1.13</b>	<b>1.03</b>	0.92	0.81					
0.9	CFM		<b>3082</b>	<b>2979</b>	<b>2850</b>	<b>2720</b>	2548	2376							
	RPM		<b>1033</b>	<b>1016</b>	<b>998</b>	<b>980</b>	958	935							
	kW		<b>1.48</b>	<b>1.36</b>	<b>1.25</b>	<b>1.15</b>	1.03	0.92							
1.0	CFM	<b>3012</b>	<b>2897</b>	<b>2789</b>	2647	2505	2301								
	RPM	<b>1054</b>	<b>1036</b>	<b>1019</b>	1001	984	961								
	kW	<b>1.48</b>	<b>1.38</b>	<b>1.26</b>	1.15	1.04	0.93								
1.1	CFM	<b>2834</b>	<b>2718</b>	2572	2407	2242									
	RPM	<b>1058</b>	<b>1041</b>	1024	1005	987									
	kW	<b>1.36</b>	<b>1.27</b>	1.16	1.05	0.93									
1.2	CFM	<b>2630</b>	2485	2335											
	RPM	<b>1061</b>	1045	1028											
	kW	<b>1.26</b>	1.16	1.04											
1.3	CFM	2405	2237												
	RPM	1064	1049												
	kW	1.14	1.04												

Values includes losses for: Unit Casing, 2" Disposable (Pleated) Filters & Dry Evaporator Coil  
 When utilized with H5HK Heater kits, not all operational points shown may be available for use. Refer to the H5HK Installation Instructions to determine the minimum airflow requirements of the applicable heater assembly.  
 Deduct 250 Cfm for electric heater kits



# BLOWER PERFORMANCE HORIZONTAL FLOW CONFIGURATION

## P6SP-090(C/D)a

Factory Standard: 1.5Hp Horizontal Performance Chart

‡ Indicates Factory Sheave Setting for Pre-configured Units

External Unit Static (in-Wg)	Operating @ 230 or 460 Volts	Adjustable Motor Sheave Setting																					
		Fully Closed	1/2 Turn Open	1 Turn Open	1.5 Turns Open	2 Turns Open	2.5 Turns Open	3 Turns Open	3.5 Turns Open	4 Turns Open	4.5 Turns Open ‡	5 Turns Open	5.5 Turns Open	6 Turns Open									
0.1	CFM								3722	3610	3496	<b>3382</b>	<b>3263</b>	<b>3143</b>									
	RPM								889	864	844	<b>824</b>	<b>799</b>	<b>773</b>									
	kW								1.52	1.39	1.29	<b>1.19</b>	<b>1.09</b>	<b>0.99</b>									
0.2	CFM							3695	3577	3458	<b>3338</b>	<b>3217</b>	<b>3094</b>	<b>2970</b>									
	RPM							917	893	869	<b>847</b>	<b>825</b>	<b>800</b>	<b>775</b>									
	kW							1.57	1.45	1.32	<b>1.23</b>	<b>1.13</b>	<b>1.03</b>	<b>0.93</b>									
0.3	CFM							3552	3429		<b>3306</b>	<b>3173</b>	<b>3039</b>	<b>2912</b>	<b>2785</b>								
	RPM							920	897		<b>873</b>	<b>850</b>	<b>826</b>	<b>801</b>	<b>776</b>								
	kW							1.48	1.37		<b>1.25</b>	<b>1.15</b>	<b>1.05</b>	<b>0.96</b>	<b>0.86</b>								
0.4	CFM						3498		<b>3387</b>	<b>3266</b>	<b>3144</b>	<b>3004</b>	<b>2863</b>	<b>2728</b>	2592								
	RPM						943		<b>923</b>	<b>899</b>	<b>875</b>	<b>851</b>	<b>828</b>	<b>804</b>	779								
	kW						1.51		<b>1.41</b>	<b>1.29</b>	<b>1.17</b>	<b>1.08</b>	<b>0.98</b>	<b>0.89</b>	0.80								
0.5	CFM					3471		<b>3353</b>	<b>3234</b>	<b>3100</b>	<b>2966</b>	<b>2820</b>	<b>2673</b>	2523	2372								
	RPM					965		<b>945</b>	<b>925</b>	<b>901</b>	<b>876</b>	<b>853</b>	<b>830</b>	806	782								
	kW					1.54		<b>1.43</b>	<b>1.32</b>	<b>1.21</b>	<b>1.09</b>	<b>1.00</b>	<b>0.91</b>	0.82	0.73								
0.6	CFM				3415		<b>3309</b>	<b>3186</b>	<b>3062</b>	<b>2919</b>	<b>2776</b>	2616	2455	2282									
	RPM				986		<b>966</b>	<b>947</b>	<b>928</b>	<b>904</b>	<b>879</b>	856	833	809									
	kW				1.57		<b>1.46</b>	<b>1.34</b>	<b>1.23</b>	<b>1.12</b>	<b>1.01</b>	0.92	0.83	0.74									
0.7	CFM											<b>3360</b>	<b>3251</b>	<b>3142</b>	<b>3012</b>	<b>2881</b>	<b>2722</b>	2563	2388	2212			
	RPM												<b>1010</b>	<b>990</b>	<b>971</b>	<b>951</b>	<b>931</b>	<b>907</b>	882	859	835		
	kW												<b>1.58</b>	<b>1.47</b>	<b>1.35</b>	<b>1.25</b>	<b>1.15</b>	<b>1.04</b>	0.92	0.83	0.74		
0.8	CFM												<b>3211</b>	<b>3091</b>	<b>2970</b>	<b>2828</b>	<b>2686</b>	2505	2323				
	RPM												<b>1014</b>	<b>994</b>	<b>975</b>	<b>954</b>	<b>934</b>	910	886				
	kW												<b>1.50</b>	<b>1.38</b>	<b>1.26</b>	<b>1.16</b>	<b>1.05</b>	0.94	0.83				
0.9	CFM																						
	RPM																						
	kW																						
1.0	CFM																						
	RPM																						
	kW																						
1.1	CFM																						
	RPM																						
	kW																						
1.2	CFM																						
	RPM																						
	kW																						
1.3	CFM																						
	RPM																						
	kW																						

Values includes losses for: Unit Casing, 2" Disposable (Pleated) Filters & Dry Evaporator Coil  
 When utilized with H5HK Heater kits, not all operational points shown may be available for use. Refer to the H5HK Installation Instructions to determine the minimum airflow requirements of the applicable heater assembly.  
 Deduct 250 Cfm for electric heater kits

# BLOWER PERFORMANCE DOWNFLOW CONFIGURATION

## P6SP-120(C/D)a

Factory Standard: 1.5Hp Down-flow Performance Chart

‡ Indicates Factory Sheave Setting

External Unit Static (in-Wg)	Operating @ 230 or 460 Volts	Adjustable Motor Sheave Setting													
		Fully Closed	1/2 Turn Open	1 Turn Open	1.5 Turns Open	2 Turns Open	2.5 Turns Open ‡	3 Turns Open	3.5 Turns Open	4 Turns Open	4.5 Turns Open	5 Turns Open	5.5 Turns Open	6 Turns Open	
0.1	CFM							<b>4468</b>	<b>4349</b>	<b>4230</b>	<b>4086</b>	<b>3942</b>	<b>3804</b>	<b>3665</b>	
	RPM							<b>706</b>	<b>689</b>	<b>672</b>	<b>653</b>	<b>633</b>	<b>616</b>	<b>599</b>	
	kW							<b>1.54</b>	<b>1.43</b>	<b>1.32</b>	<b>1.23</b>	<b>1.14</b>	<b>1.04</b>	<b>0.93</b>	
0.2	CFM						<b>4412</b>	<b>4244</b>	<b>4124</b>	<b>4003</b>	<b>3847</b>	<b>3690</b>	<b>3546</b>	3402	
	RPM						<b>725</b>	<b>708</b>	<b>691</b>	<b>674</b>	<b>655</b>	<b>635</b>	<b>618</b>	601	
	kW						<b>1.58</b>	<b>1.44</b>	<b>1.34</b>	<b>1.24</b>	<b>1.15</b>	<b>1.06</b>	<b>0.96</b>	0.86	
0.3	CFM						<b>4192</b>	<b>4042</b>	<b>3888</b>	<b>3733</b>	<b>3589</b>	3445	3287	3129	
	RPM						<b>727</b>	<b>710</b>	<b>693</b>	<b>676</b>	<b>657</b>	637	620	603	
	kW						<b>1.49</b>	<b>1.36</b>	<b>1.26</b>	<b>1.15</b>	<b>1.07</b>	0.99	0.89	0.78	
0.4	CFM					<b>4106</b>	<b>3951</b>	<b>3796</b>	<b>3631</b>	3466	3316	3165	2993		
	RPM					<b>745</b>	<b>729</b>	<b>712</b>	<b>695</b>	678	659	639	623		
	kW					<b>1.51</b>	<b>1.39</b>	<b>1.27</b>	<b>1.17</b>	1.08	0.99	0.91	0.81		
0.5	CFM				<b>3998</b>	<b>3871</b>	<b>3706</b>	<b>3540</b>	3368	3196	3017				
	RPM				<b>761</b>	<b>747</b>	<b>731</b>	<b>714</b>	697	680	661				
	kW				<b>1.51</b>	<b>1.42</b>	<b>1.30</b>	<b>1.18</b>	1.09	0.99	0.90				
0.6	CFM		4016	<b>3903</b>	<b>3760</b>	<b>3616</b>	3428	3240	3052						
	RPM		791	<b>777</b>	<b>763</b>	<b>749</b>	733	716	700						
	kW		1.59	<b>1.49</b>	<b>1.41</b>	<b>1.32</b>	1.20	1.09	0.98						
0.7	CFM	<b>3903</b>	<b>3801</b>	<b>3693</b>	<b>3512</b>	3330	3118								
	RPM	<b>806</b>	<b>793</b>	<b>779</b>	<b>766</b>	752	736								
	kW	<b>1.59</b>	<b>1.48</b>	<b>1.39</b>	<b>1.31</b>	1.23	1.10								
0.8	CFM	<b>3654</b>	<b>3542</b>	3406	3214	3022									
	RPM	<b>808</b>	<b>795</b>	781	768	754									
	kW	<b>1.49</b>	<b>1.38</b>	1.27	1.19	1.11									
0.9	CFM	3356	3232	3074											
	RPM	810	797	783											
	kW	1.36	1.26	1.15											
1.0	CFM	3013													
	RPM	812													
	kW	1.21													

Values includes losses for: Unit Casing, 2" Disposable (Pleated) Filters & Dry Evaporator Coil  
 When utilized with H5HK Heater kits, not all operational points shown may be available for use. Refer to the H5HK Installation Instructions to determine the minimum airflow requirements of the applicable heater assembly.  
 Deduct 250 Cfm for electric heater kits

# BLOWER PERFORMANCE HORIZONTAL FLOW CONFIGURATION

## P6SP-120(C/D)a

Factory Standard: 1.5Hp Horizontal Performance Chart

‡ Indicates Factory Sheave Setting for Pre-configured Units

External Unit Static (in-Wg)	Operating @ 230 or 460 Volts	Adjustable Motor Sheave Setting													
		Fully Closed	1/2 Turn Open	1 Turn Open	1.5 Turns Open	2 Turns Open	2.5 Turns Open ‡	3 Turns Open	3.5 Turns Open	4 Turns Open	4.5 Turns Open	5 Turns Open	5.5 Turns Open	6 Turns Open	
0.1	CFM								<b>4425</b>	<b>4303</b>	<b>4157</b>	<b>4011</b>	<b>3878</b>	<b>3745</b>	
	RPM								<b>688</b>	<b>671</b>	<b>653</b>	<b>635</b>	<b>617</b>	<b>599</b>	
	kW								<b>1.44</b>	<b>1.33</b>	<b>1.23</b>	<b>1.12</b>	<b>1.04</b>	<b>0.95</b>	
0.2	CFM							<b>4366</b>	<b>4227</b>	<b>4087</b>	<b>3951</b>	<b>3815</b>	<b>3665</b>	<b>3515</b>	
	RPM							<b>707</b>	<b>690</b>	<b>672</b>	<b>655</b>	<b>637</b>	<b>619</b>	<b>601</b>	
	kW							<b>1.48</b>	<b>1.36</b>	<b>1.25</b>	<b>1.15</b>	<b>1.05</b>	<b>0.97</b>	<b>0.88</b>	
0.3	CFM							<b>4278</b>	<b>4137</b>	<b>3994</b>	<b>3850</b>	<b>3694</b>	<b>3537</b>	3369	3201
	RPM							<b>725</b>	<b>709</b>	<b>692</b>	<b>674</b>	<b>656</b>	<b>638</b>	620	602
	kW							<b>1.50</b>	<b>1.39</b>	<b>1.28</b>	<b>1.17</b>	<b>1.07</b>	<b>0.98</b>	0.89	0.80
0.4	CFM						<b>4198</b>	<b>4061</b>	<b>3923</b>	<b>3763</b>	<b>3602</b>	3425	3248	3071	
	RPM						<b>743</b>	<b>727</b>	<b>711</b>	<b>694</b>	<b>676</b>	658	640	623	
	kW						<b>1.52</b>	<b>1.41</b>	<b>1.30</b>	<b>1.19</b>	<b>1.09</b>	0.99	0.89	0.81	
0.5	CFM						<b>3969</b>	<b>3816</b>	<b>3662</b>	<b>3490</b>	3318	3127			
	RPM						<b>746</b>	<b>729</b>	<b>712</b>	<b>695</b>	677	660			
	kW						<b>1.44</b>	<b>1.32</b>	<b>1.20</b>	<b>1.10</b>	0.99	0.89			
0.6	CFM					<b>3851</b>	<b>3719</b>	<b>3543</b>	3366	3181	2996				
	RPM					<b>764</b>	<b>749</b>	<b>732</b>	714	698	681				
	kW					<b>1.44</b>	<b>1.33</b>	<b>1.22</b>	1.11	1.00	0.90				
0.7	CFM			<b>3749</b>	<b>3594</b>	3438	3232	3026							
	RPM			<b>781</b>	<b>767</b>	752	734	716							
	kW			<b>1.44</b>	<b>1.33</b>	1.22	1.11	1.00							
0.8	CFM		<b>3614</b>	3487	3298	3109									
	RPM		<b>795</b>	785	771	756									
	kW		<b>1.44</b>	1.34	1.22	1.10									
0.9	CFM	<b>3515</b>	3352	3184	2946										
	RPM	<b>813</b>	801	789	773										
	kW	<b>1.43</b>	1.32	1.21	1.09										
1.0	CFM	3218	2993												
	RPM	816	805												
	kW	1.31	1.18												

Values includes losses for: Unit Casing, 2" Disposable (Pleated) Filters & Dry Evaporator Coil

When utilized with H5HK Heater kits, not all operational points shown may be available for use. Refer to the H5HK Installation Instructions to determine the minimum airflow requirements of the applicable heater assembly.

Deduct 250 Cfm for electric heater kits

# ACCESSORIES

NORDYNE Part #	Description	P6SP - 072	P6SP - 090	P6SP - 120
559914	Horizontal Supply & Return Kit	X	X	
547881	Horizontal Supply & Return Kit			X
547860	Hinged Roof Curb 8" High - K/D	X	X	X
547861	Hinged Roof Curb 14" High - K/D	X	X	X
547862	Hinged Roof Curb 18" High - K/D	X	X	X
547863	Hinged Roof Curb 24" High - K/D	X	X	X
559411	Hooded Hail Guard		X	
558857	Hooded Hail Guard			X
547864	0-35% Manual Outside Air Damper	X	X	
547874	0-35% Manual Outside Air Damper			X
547865	0-35% Motorized Damper - Only (Requires 547864 OR 547874 Panel Kit)	X	X	X
559375	Economizer - Modulating w/ Relief, Adapts Horizontal	X	X	
559374	Economizer - Modulating w/ Relief, Adapts Horizontal			X
920233	Sensor, Enthalpy, C7400A (For Economizer Differential Enthalpy Control)	X	X	X
920317	CO2 Sensor, Wall Mount	X	X	X
920318	CO2 Sensor, Duct Mount	X	X	X
547867	Power Exhaust - Prop (208/230v/3ph), Adapts Horizontal	X	X	
547868	Power Exhaust - Prop (460v/3ph), Adapts Horizontal	X	X	
547876	Power Exhaust - Prop (208/230v/3ph), Adapts Horizontal			X
547877	Power Exhaust - Prop (460v/3ph), Adapts Horizontal			X
547869	20" Supply & Return Transition Round	X	X	
547870	20" Flush Mount Concentric Diffuser Round	X	X	
547871	20" Step Down Concentric Diffuser Round	X	X	
547878	18" x 28" Supply & Return Transition			X
547879	18" x 28" Flush Mount Concentric Diffuser			X
547880	18" x 28" Step Down Concentric Diffuser			X
558863	Duct Smoke Detector Photo Elect.	X	X	X
558866	Duct Smoke Detector, Remote Multi-signal control	X	X	X
558864	Smoke Detector Sampling Tube DST3, 2-4 ft.	X	X	X
558865	Smoke Detector Sampling Tube DST5, 4-8 ft.	X	X	X
920463	Low Ambient Kit	X	X	X
920464	Bottom Power Entry Kit	X	X	
917454	Bottom Power Entry Kit			X
917423A	H5HK009Q-01 9KW - 208/240V, 3Ø	X	X	X
917424A	H5HK018Q-11 18KW - 208/240V, 3Ø	X	X	X
920614	H5HK030Q-22 30KW - 208/240V, 3Ø	X	X	X
917425A	H5HK035Q-22 35KW - 208/240V, 3Ø		X	X
920616	H5HK009S-01 9KW - 480V, 3Ø	X	X	X
917426A	H5HK018S-01 18KW - 480V, 3Ø	X	X	X
920615	H5HK030S-01 30KW - 480V, 3Ø	X	X	X
917427A	H5HK035S-01 35KW - 480V, 3Ø		X	X
917468	3 Pole, Dual Circuit Adapter Kit	X	X	X
920619	Thermostat-3 Stage Heat/2 Stage Cool (requires "O" & "B" terminals)	X	X	X

**Note:**  
Requires separate branch circuit, see table Electrical Data For Power Exhaust Accessory Kits, pg 10



### GENERAL TERMS OF LIMITED WARRANTY

Nortek Global HVAC LLC will furnish a replacement for any part of this product which fails in normal use and service within the terms and conditions of the warranty.

For complete details of the Limited Warranty, including applicable terms and conditions, see your local installer or contact the Nortek Global HVAC LLC warranty department for a copy.

Before purchasing this appliance, read important energy cost and efficiency information available from your retailer. Specifications and illustrations subject to change without notice and without incurring obligations. Printed in U.S.A (06/2015)