



TECHNICAL SPECIFICATIONS



High Efficiency Electronic Air Cleaners

- **STANDARD 5 YEAR PARTS LIMITED WARRANTY**
- **When installed and registered with a complete Maytag system, this product carries a 12 Year All Parts Warranty.**
- **Product registration (by consumer or dealer) required for 12-year Warranty within a limited period of time after the installation. See current warranty document for details. This can be viewed at www.maytaghvac.com or ask your sales representative.**

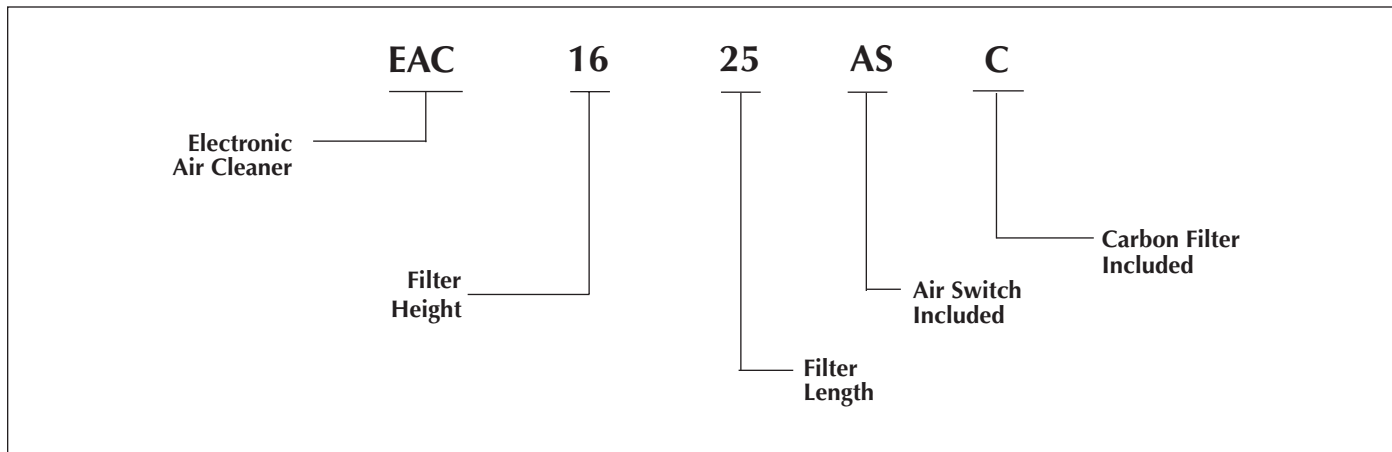


The **Maytag Electronic Air Cleaner** is a premium line of air purification. A lifetime, environmentally-friendly filtration system removes lung-damaging air pollutants down to .01 micron. Available in 4 sizes. The line features ... Carbon Filters for odor removal; a highly reliable Electronic Air Proving Switch for cycling air cleaner on/off with system fan; a field-adjustable, snap-in power board for optimal performance; a heavy gauge galvanized/powder coat steel cabinet with a stainless steel door for solid installation.

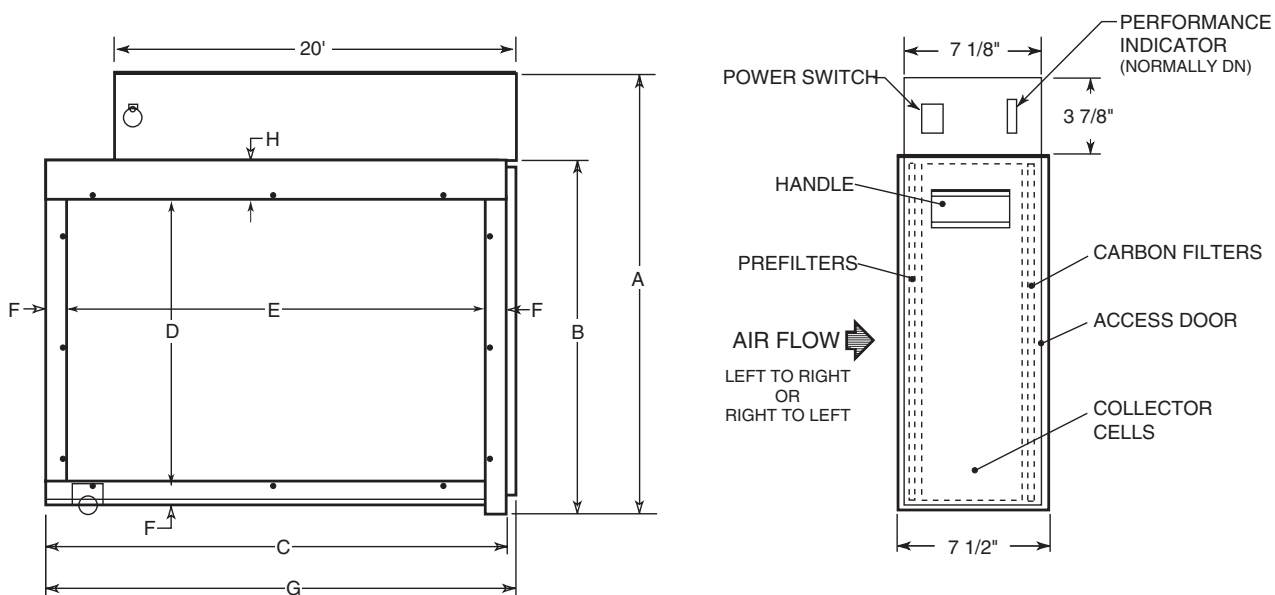
Standard Features

- Life-Time Filter System never needs replacing.
- Electronically removes dust, pollen, tobacco smoke, cooking smoke and grease, mold, bacteria, viruses and more down to .01 micron.
- Light Weight Aluminum Collecting Cells are durable and easy to maintain.
- Cell Guides ensure proper placement of collecting cells.
- Activated Carbon Filters remove unpleasant odors.
- Air Flow Sensor shuts unit off if air flow drops below 300 CFM, preventing ozone production.
- Field adjustable, snap-in power board for optimal performance.
- Dual Indicator Lights show the air cleaner is working at a glance.
- Galvanized Steel Cabinet with stainless steel access door and lid for solid vertical or horizontal installation.

MODEL IDENTIFICATION



DIMENSIONS



Model	Dimension -- in (cm)							
	A	B	C	D	E	F	G	H
EAC1620ASC	21 (53.3)	17 (43.2)	23 1/4 (59.0)	13 1/8 (33.3)	20 3/4 (52.7)	1 1/4 (3.2)	23 3/4 (60.3)	2 3/8 (6.0)
EAC1625ASC	21 (53.3)	17 (43.2)	26 (66.0)	13 5/8 (34.6)	24 (61.0)	1 (2.5)	26 1/2 (67.3)	2 1/8 (5.4)
EAC2020ASC	25 7/8 (65.7)	22 (55.9)	21 1/4 (54.0)	18 (45.7)	18 3/4 (47.6)	1 1/4 (3.2)	21 3/4 (55.3)	2 3/8 (6.0)
EAC2025ASC	25 7/8 (65.7)	22 (55.9)	26 (66.0)	18 (45.7)	23 1/2 (59.7)	1 1/4 (3.2)	26 1/2 (67.3)	2 3/8 (6.0)

SPECIFICATIONS

Model	EAC1620ASC	EAC1625ASC	EAC2020ASC	EAC2025ASC
House Size	<2400 ft ² <222.96 m ²	<3000 ft ² <278.70 m ²	2400 - 3000 ft ² 222.96 - 278.70 m ²	>3000 ft ² >278.70 m ²
Capacity	Up To 1200 CFM Up To 2039 m ³ /hr	Up To 1400 CFM Up To 2379 m ³ /hr	Up To 1400 CFM Up To 2379 m ³ /hr	Up To 2000 CFM Up To 3398 m ³ /hr
Cell Weight Approximate	5 lbs 2.3 kg	6 lbs 2.7 kg	6 lbs 2.7 kg	7 lbs 3.3 kg
Cabinet Dimensions	7.5 x 21 x 23.75 in. 19.1 x 53.3 x 60.3 cm	7.5 x 21 x 26.5 in. 19.1 x 53.3 x 67.3 cm	7.5 x 25.88 x 21.75 in. 19.1 x 65.7 x 55.3 cm	7.5 x 25.88 x 26.5 in. 19.1 x 65.7 x 67.3 cm
Unit Weight	28 lbs 12.9 kg	30 lbs 13.5 kg	33 lbs 15.3 kg	38 lbs 17.5 kg
Electronic Requirements	120 V/60 Hz	120 V/60 Hz	120 V/60 Hz	120 V/60 Hz
Wattage Consumed	30 watts	30 watts	30 watts	30 watts
Duct Openings	13 1/8 x 20 3/4 in 33.4 x 52.7 cm	13 5/8 x 24 in 34.6 x 61.0 cm	18 x 18 3/4 in 45.7 x 47.6 cm	18 x 23 1/2 in 45.7 x 59.7 cm

ACCESSORIES

Replacement Carbon Filters

Part Number	Fits Models	*Case Quantity
918417	EAC1620ASC EAC1625ASC	6 sets
918418	EAC2020ASC EAC2025ASC	6 sets

*Shipped in sets of 3

DAX Detergent

Part Number	Volume	Description	*Case Quantity
918419	32 oz	Spray Bottle	6

*Must be ordered in case quantities



Before purchasing this appliance, read important energy cost and efficiency information available from your retailer. Specifications and illustrations subject to change without notice and without incurring obligations.

Manufactured under license by Nortek Global HVAC, LLC, O'Fallon, MO. ®Registered Trademark/™ Trademark of Maytag Corporation or its related companies. ©Nortek Global HVAC, LLC 2015. All rights reserved.

711B-0607 (Replaces 711B-0207)

Printed in U.S.A. (06/07)