

# WIRING DIAGRAM

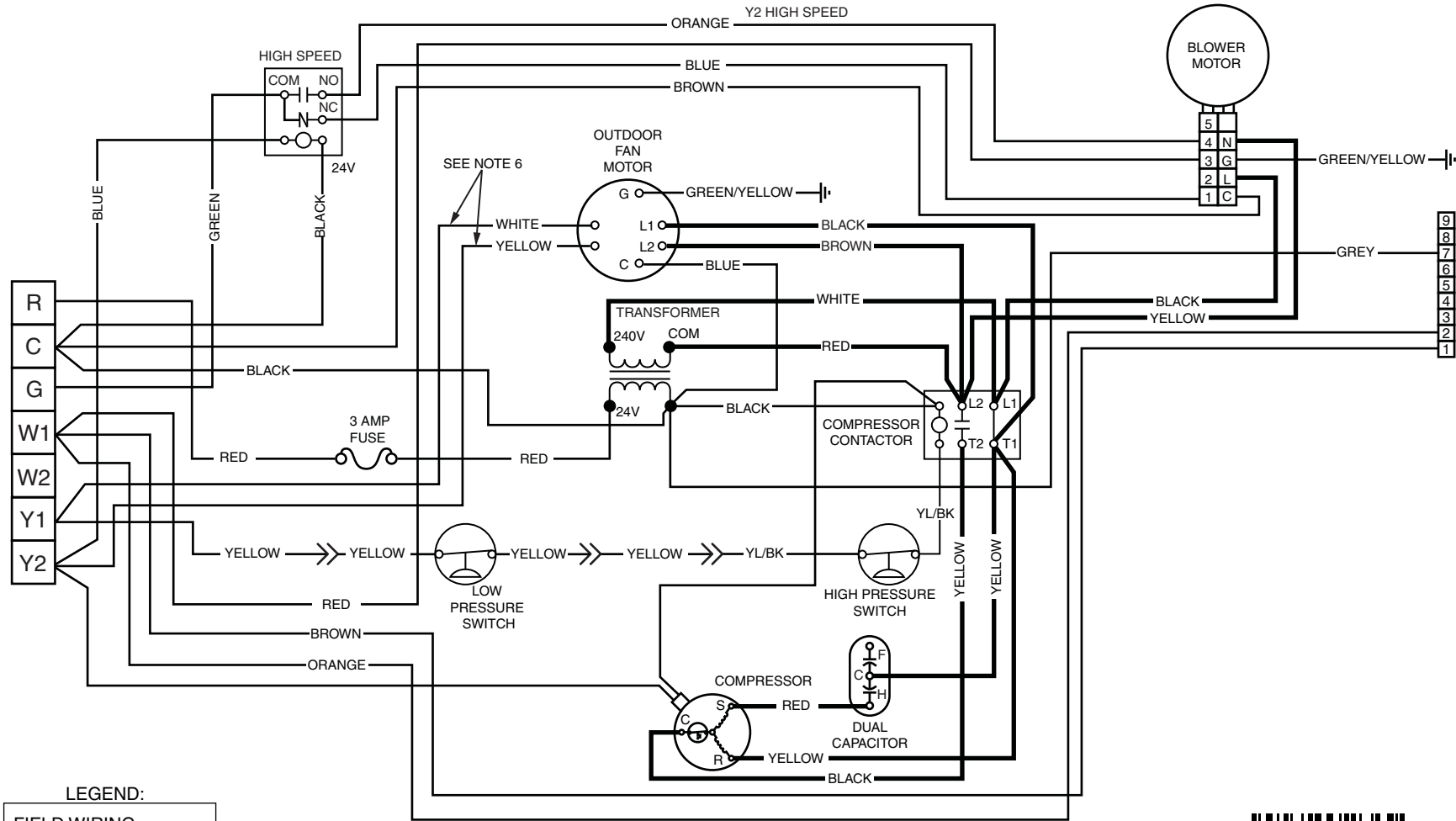
## Packaged Air Conditioner - Single Phase

### NOTES:

1. Disconnect all power before servicing.
2. For supply connections use copper conductors only.
3. Not suitable on systems that exceed 150 V to ground.
4. For replacement wires use conductors suitable for 105° C.

5. See installation instructions for blower motor airflow settings.
6. Outdoor fan wiring shown for four ton unit. For five ton outdoor fan wiring, connect WHITE wire to Y2 and connect YELLOW wire to Y1.

1. Couper le courant avant de faire letretien.
2. Employez uniquement des conducteurs en cuivre.
3. Ne convient pas aux installations de plus de 150 V a la terre.



7113560

08/13