

WIRING DIAGRAM

Q5RF/PPH2RF-KA SERIES SMALL PACKAGE H/P W/DEMAND DEFROST 2 TON AND 3 TON

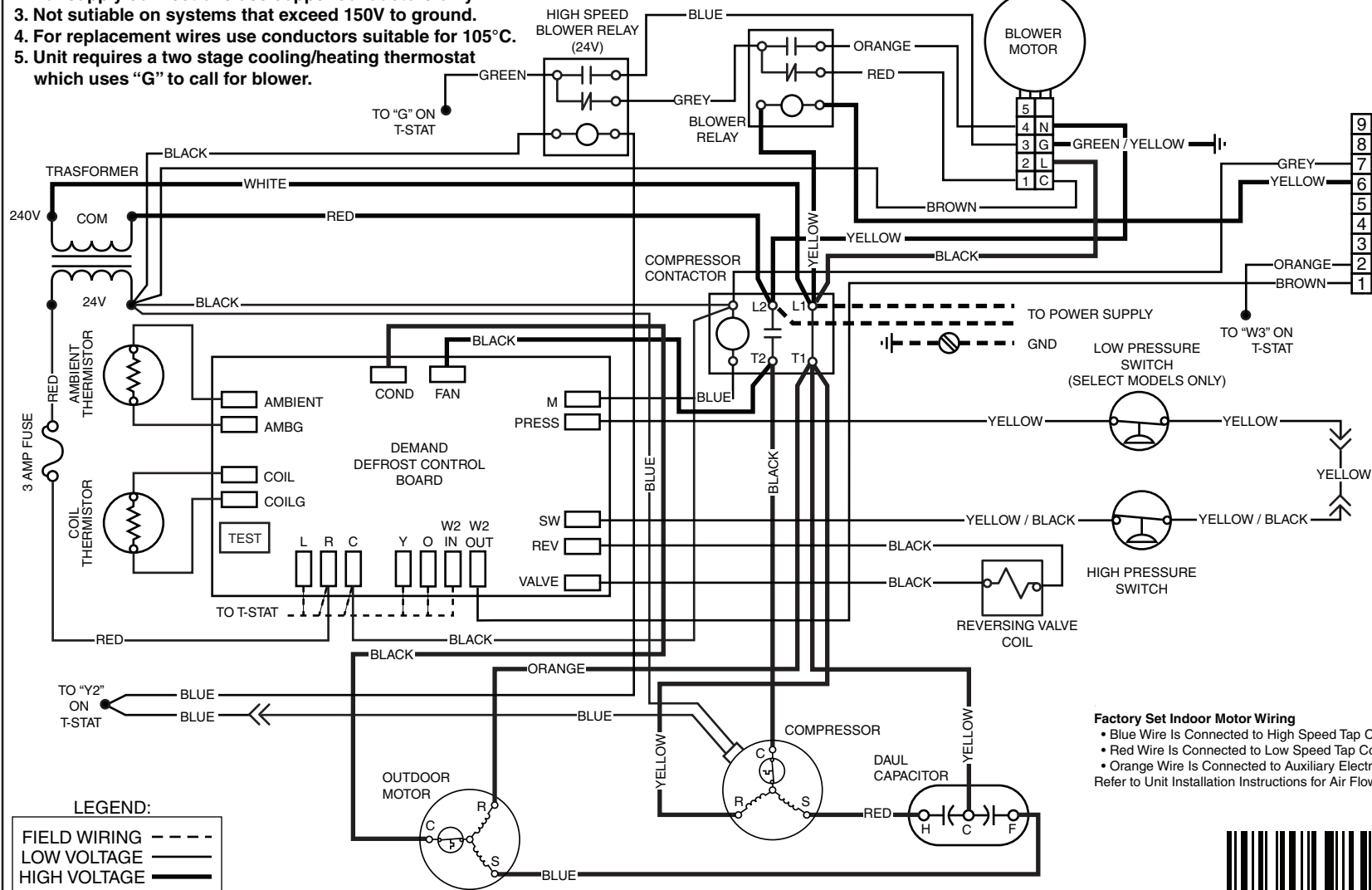
208/230V

60HZ/SINGLE PHASE

1. Couper le courant avant de faire letretine.
2. Employez uniquement des conducteurs en cuiver.
3. Ne convient pas aux installations de plus de 150V a la terre.

NOTES:

1. Disconnect all power before servicing.
2. For supply connections use copper conductors only.
3. Not suitable on systems that exceed 150V to ground.
4. For replacement wires use conductors suitable for 105°C.
5. Unit requires a two stage cooling/heating thermostat which uses "G" to call for blower.



Factory Set Indoor Motor Wiring

- Blue Wire Is Connected to High Speed Tap Cooling/ Heating.
- Red Wire Is Connected to Low Speed Tap Cooling/ Heating.
- Orange Wire Is Connected to Auxiliary Electric Heating Speed Tap. Refer to Unit Installation Instructions for Air Flow Data.



7112650

0712