

WIRING DIAGRAM

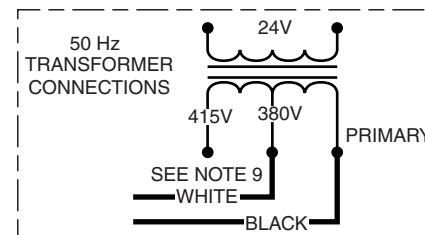
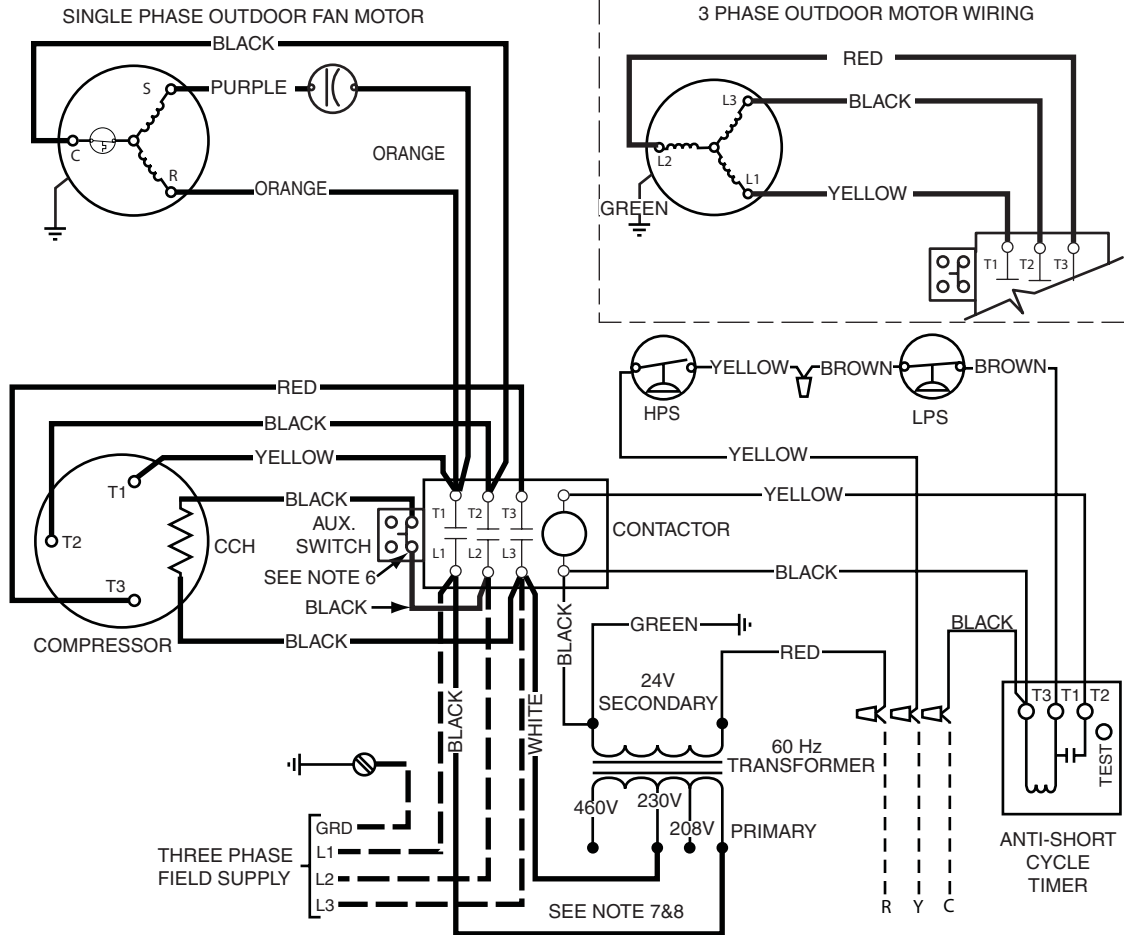
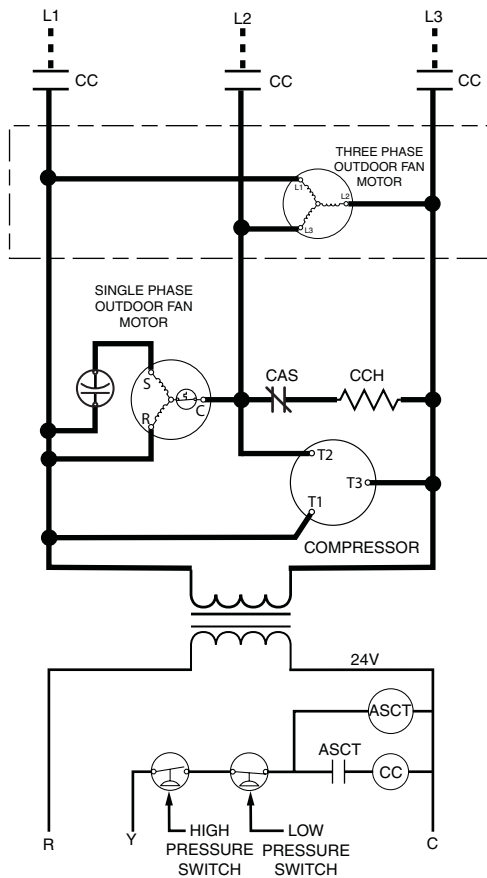
Commercial Split System Air Conditioner (Outdoor section)

Three Phase

NOTES:

1. Disconnect all power before servicing.
2. For supply connections, use copper conductors only.
3. Furnace/Air Handler w/factory equipped 24 V control circuit transformers, should be modified/rewired to ONLY use 24V transformer from outdoor section. See installation instructions for typical modifications.
4. For replacement wires, use conductors suitable for 105° C
5. For ampacities and overcurrent protection, see unit rating plate.
6. Wires connected to normally closed contacts.
7. Transformer primary connection will match unit rated voltage.
8. For 208V operation remove white wire from 230V tap and place on 208V tap.
9. For 415/420V operation remove white wire from 380V tap and place on 415V tap.

1. Couper le courant avant de faire letretien.
2. Employez uniquement des conducteurs en cuivre.



LEGEND:

FIELD WIRING	ASCT	ANTI SHORT CYCLE TIMER
LOW VOLTAGE	CC	COMPRESSOR CONTACTOR
HIGH VOLTAGE	CAS	CONTACTOR AUXILIARY SWITCH (1NO/1NC)
FACTORY WIRING	CCH	COMPRESSOR CRANKCASE HEATER
LOW VOLTAGE	HPS	HIGH PRESSURE SWITCH WITH AUTO RESET
HIGH VOLTAGE	LPS	LOW PRESSURE SWITCH



7110890

0310