

WIRING DIAGRAM

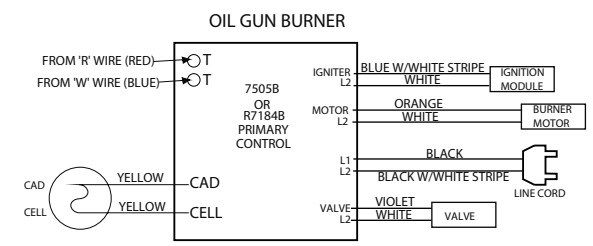
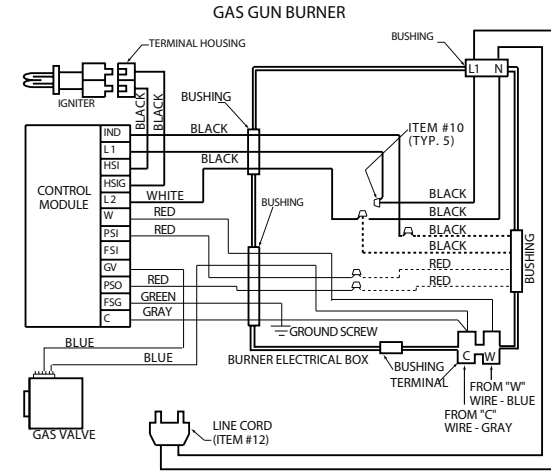
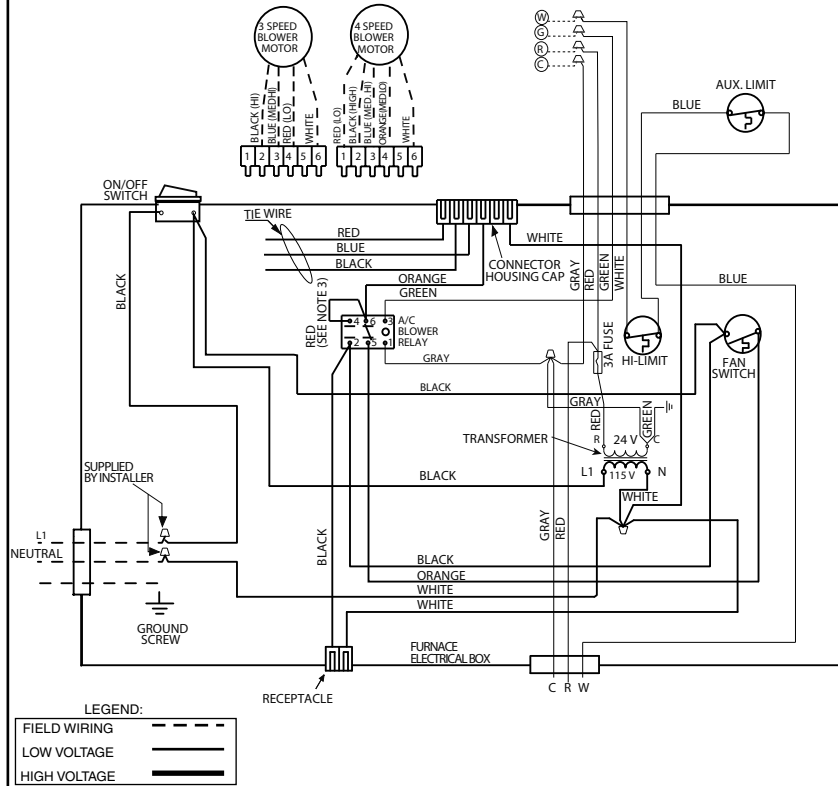
M1B & M5S Furnace Series

120 Volt

Single Phase / 60 Hz

NOTES:

- Incoming power must be polarized. Observe color coding. (See furnace data label for electrical information.)
- If any of the original wires (as supplied with the appliance) must be replaced, use 105°C Thermoplastic type wire or its equivalent.
- On models M1(B,S)A and M1(B,S)086 jumper wire is installed. On all other models, cooling speed is connected to black wire.
- A/C Heating Speeds: Refer to Table 11, A/C Blower Selection
- If any of the original wire supplied with the appliance is replaced, use 105°C wire or equivalent.
- Use copper conductors only.



710990
(Replaces 710971A)
0909