

# WIRING DIAGRAM

Q6SP Series Convertible Packaged/Electric Heat Pump

208-230/460 Volt

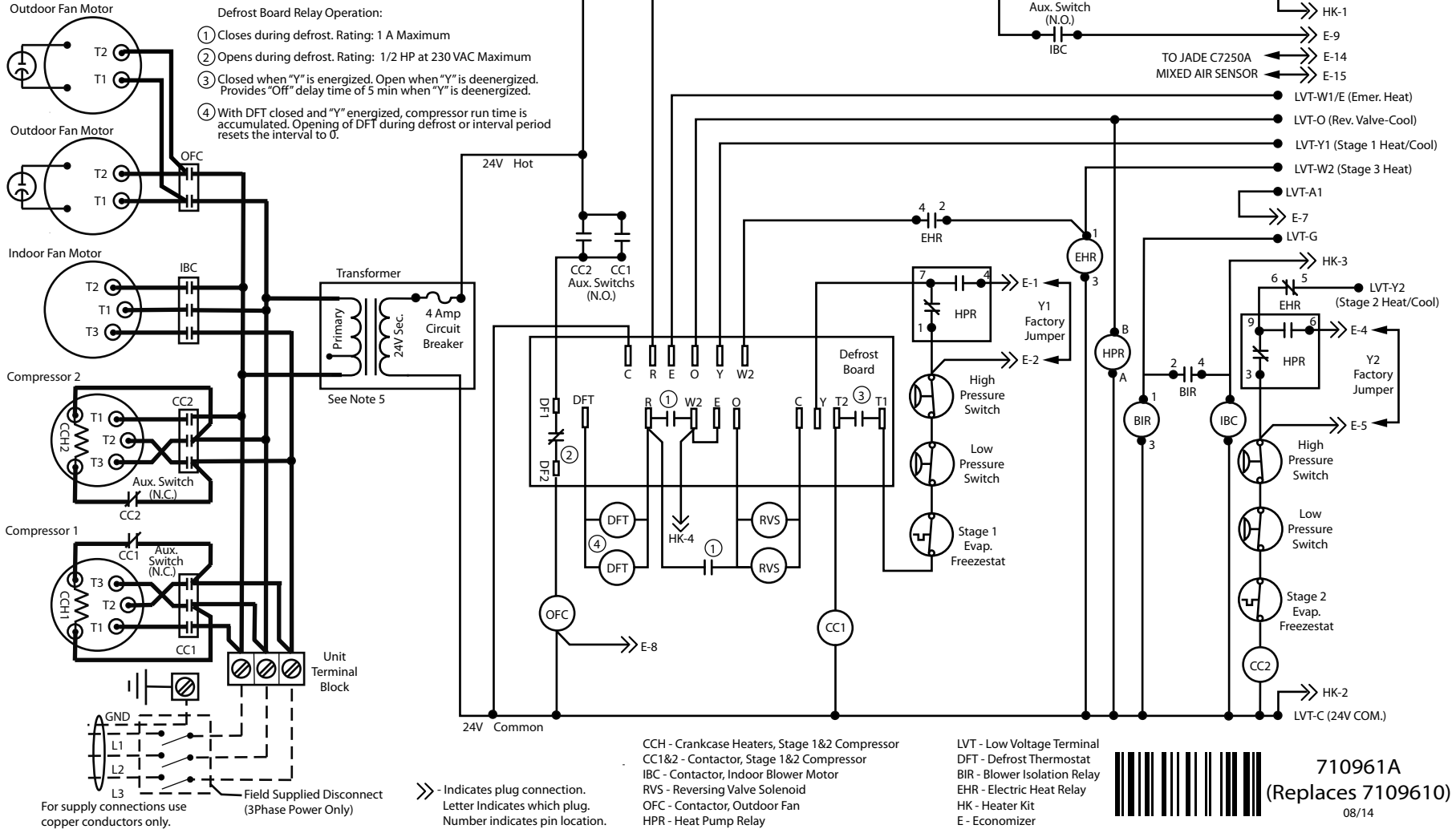
Three Phase 60 Hz.

**NOTES:**

1. Disconnect all power before servicing.
2. For supply connections use copper conductors only.
3. If any of the original wire as supplied with the furnace must be replaced, it must be replaced with wiring material having a temperature rating of at least 105C.

4. For supply wire ampacities and overcurrent protection, see unit rating label.
5. For "C" Series Models only. For 208V operation remove wire from 230V tap and place on 208V tap.

1. Couper le courant avant de faire letretien.
2. Employez uniquement des conducteurs en cuivre.



**Defrost Board Relay Operation:**

- ① Closes during defrost. Rating: 1 A Maximum
- ② Opens during defrost. Rating: 1/2 HP at 230 VAC Maximum
- ③ Closed when "Y" is energized. Open when "Y" is deenergized. Provides "Off" delay time of 5 min when "Y" is deenergized.
- ④ With DFT closed and "Y" energized, compressor run time is accumulated. Opening of DFT during defrost or interval period resets the interval to 0.

➤ - Indicates plug connection.  
Letter Indicates which plug.  
Number indicates pin location.



710961A  
(Replaces 7109610)  
08/14