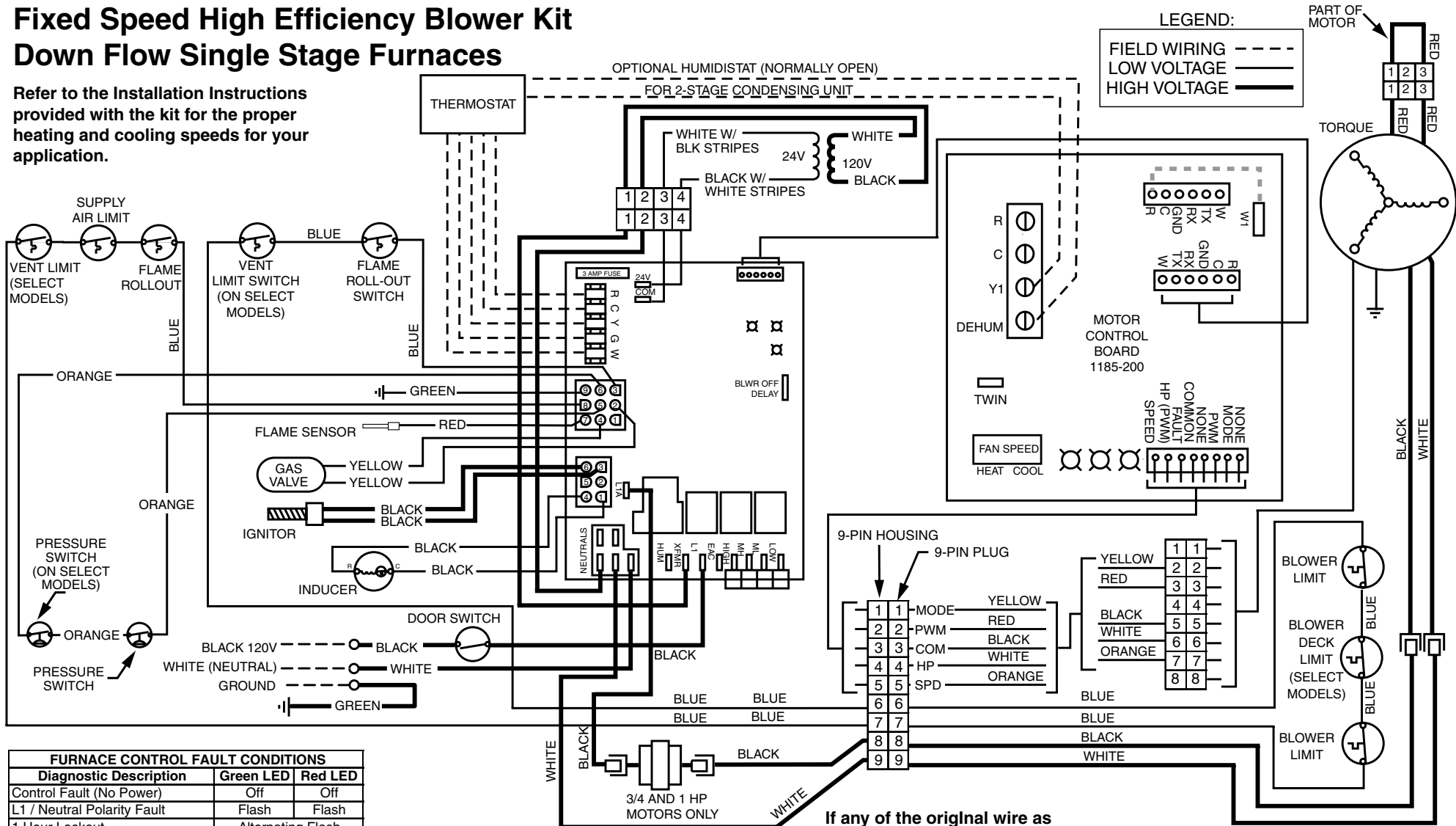


WIRING DIAGRAM

Fixed Speed High Efficiency Blower Kit Down Flow Single Stage Furnaces

Refer to the Installation Instructions provided with the kit for the proper heating and cooling speeds for your application.



FURNACE CONTROL FAULT CONDITIONS		
Diagnostic Description	Green LED	Red LED
Control Fault (No Power)	Off	Off
L1 / Neutral Polarity Fault	Flash	Flash
1 Hour Lockout	Alternating Flash	
Normal Operation	On	On
Pressure Switch Closed Fault	On	Flash
Pressure Switch Open Fault	Flash	On
Open Limit Switch Fault	Flash	Off
Motor Fault	On	Off
Diagnostic Description	Yellow LED	
Low Flame Sensor Signal	Continuous Flash	
Flame Present	On	

MOTOR CONTROL FAULT CONDITIONS		
Diagnostic Description	Red LED	Green LED
Control Fault (No Power)	Off	Off
Normal Operation	On	On
Motor Fault	On	Flash
Twin Fault (no motor fault)	Flash	On
Communications Fault	Flash	Flash

If any of the original wire as supplied with the furnace must be replaced, it must be replaced with wiring material having a temperature rating of at least 105° C.

Use copper conductors only.



7109240
0409