

WIRING DIAGRAM

P6SP-(090/120) (C/D) Series

208-230/460/575 Volt

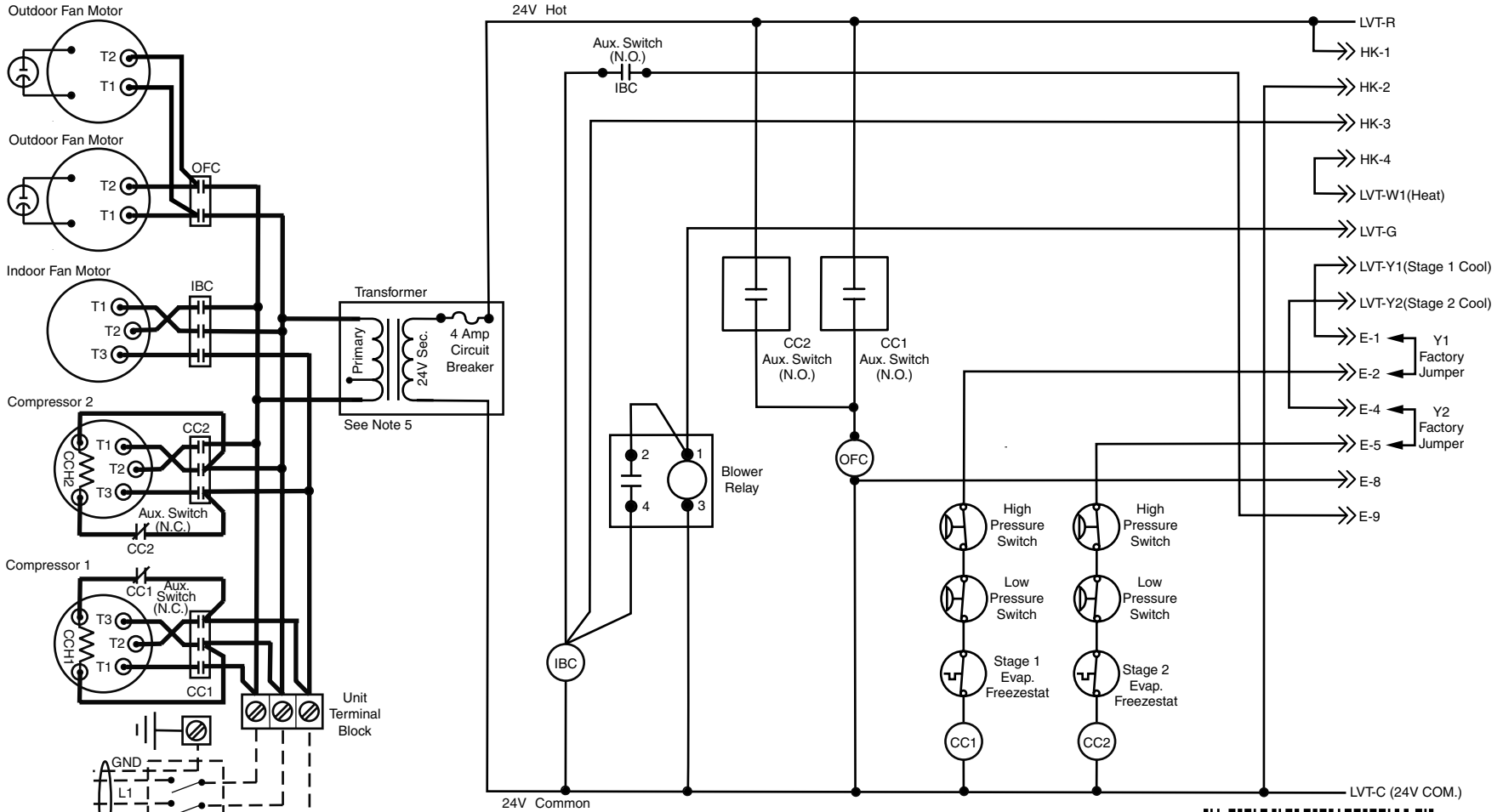
Three Phase 60 Hz.

NOTES:

1. Disconnect all power before servicing.
2. For supply connections use copper conductors only.
3. If any of the original wire as supplied with the furnace must be replaced, it must be replaced with wiring material having a temperature rating of at least 105C.

4. For supply wire ampacities and overcurrent protection, see unit rating label.
5. On "C" Series Models only. For 208V operation remove wire from 230V tap and place on 208V tap.

1. Couper le courant avant de faire letrretien.
2. Employez uniquement des conducteurs en cuivre.



For supply connections use copper conductors only.

Field Supplied Disconnect (3Phase Power Only)

>>> - Indicates plug connection. Letter Indicates which plug. Number indicates pin location.

CCH - Crankcase Heaters, Stage 1&2 Compressor
 CC1&2 - Contactor, Stage 1&2 Compressor
 IBC - Contactor, Indoor Blower Motor
 OFC - Contactor, Outdoor Fan

LVT - Low Voltage Terminal
 HK - Heater Kit
 E - Economizer



710747A
07/08