

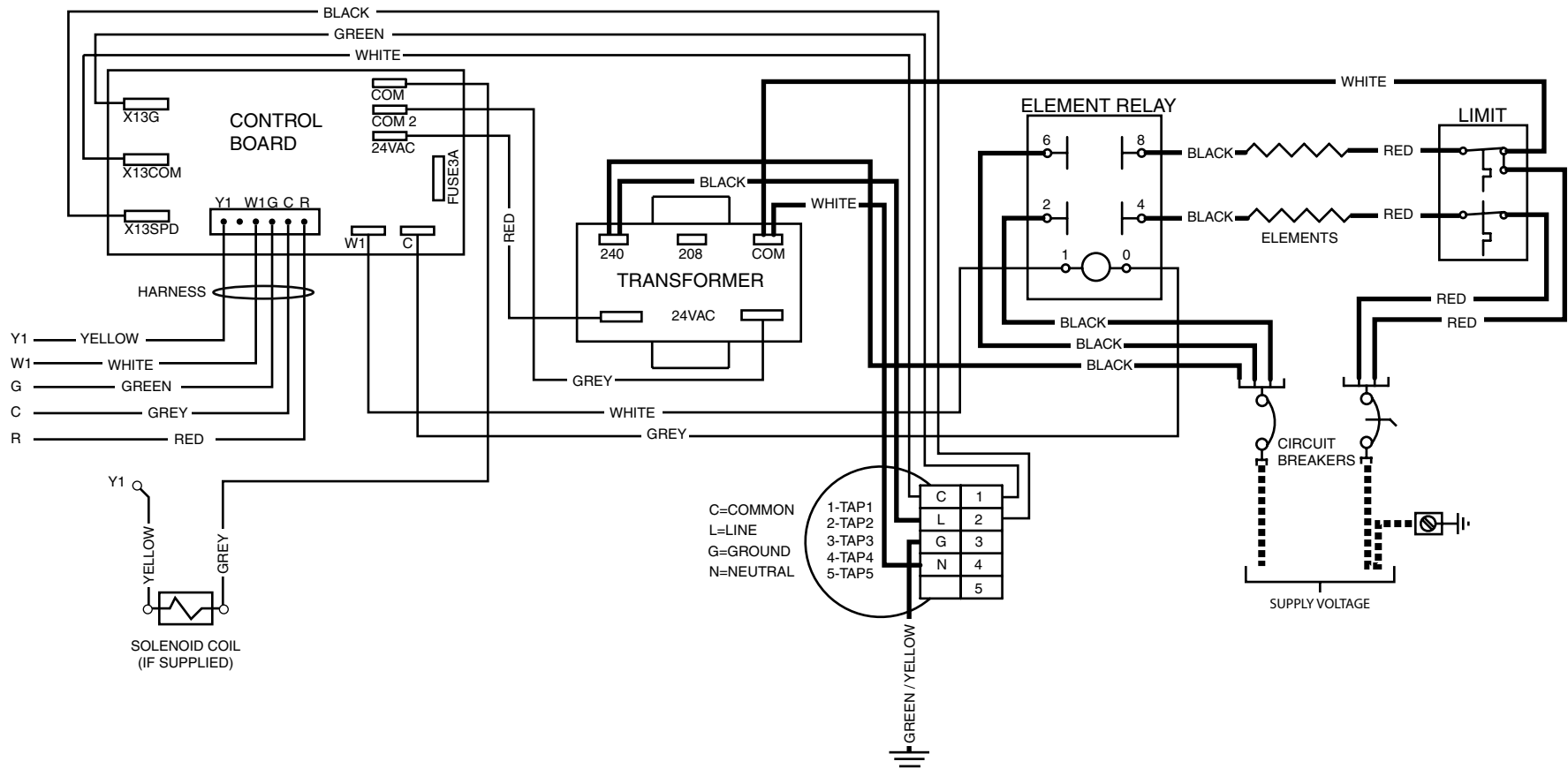
WIRING DIAGRAM

Wall Mount Air Handler (8kw, 10kw)

NOTES:

1. The blower motor speed tap connection may not be as shown. See the Installation Instructions.
2. Disconnect all power before servicing.

3. The transformer may have a dual voltage primary tap. Match the tap position with the supply voltage used.
4. If the internal wiring is replaced, use only 105°C copper wire of the same gauge.



LEGEND:
 FIELD WIRING - - - -
 LOW VOLTAGE ————
 HIGH VOLTAGE ————



710599B
 (Replaces 710599A)