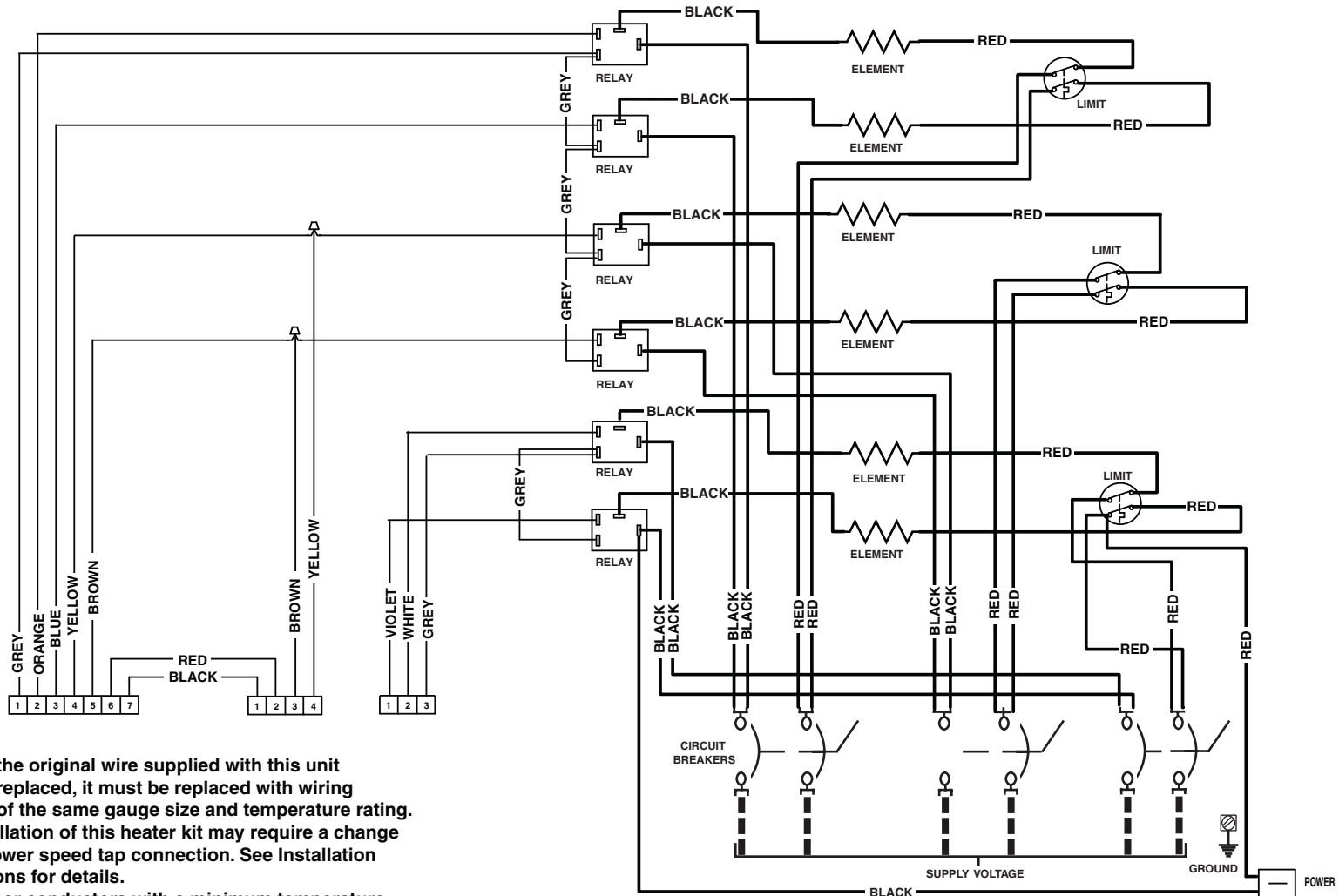


WIRING DIAGRAM

H6HK030H-31 (with circuit breaker)

30kW, 240 VAC, 1-Phase Electric Heater Kit



NOTES:

1. If any of the original wire supplied with this unit must be replaced, it must be replaced with wiring material of the same gauge size and temperature rating.
2. The installation of this heater kit may require a change in the blower speed tap connection. See Installation Instructions for details.
3. Use copper conductors with a minimum temperature rating of 60°C for supply connections.

LEGEND:

FIELD WIRING	----
LOW VOLTAGE	————
HIGH VOLTAGE	————



710566B
(Replaces 710566A)