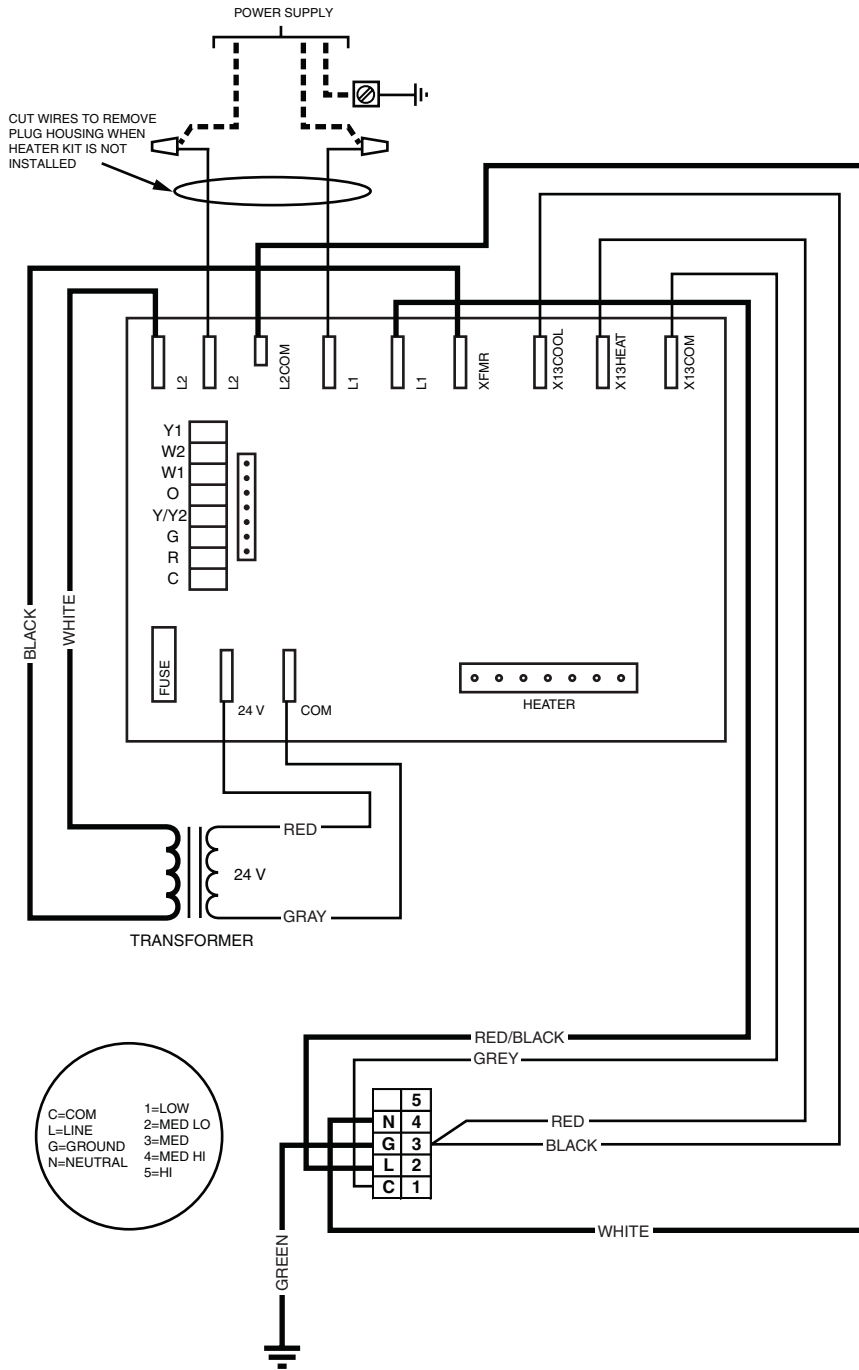


WIRING DIAGRAM

Air Handler X13 MOTOR



NOTES:

1. The blower motor speed tap connection may not be as shown. See the Installation Instructions.
2. Disconnect all power before servicing.
3. Transformer may have a dual voltage primary tap. Match the tap position with the supply voltage used. If the internal wiring is replaced, use only 105°C copper wire of the same gauge.
- 4.

BLOWER MOTOR PLUG	
N	4
G	3
L	2
C	1

SPEED TAPS

5 = HI
4 = MED HI
3 = MED
2 = MED LOW
1 = LOW

LEGEND:

FIELD WIRING	----
LOW VOLTAGE	—
HIGH VOLTAGE	—



710545C
(Replaces 710545B)