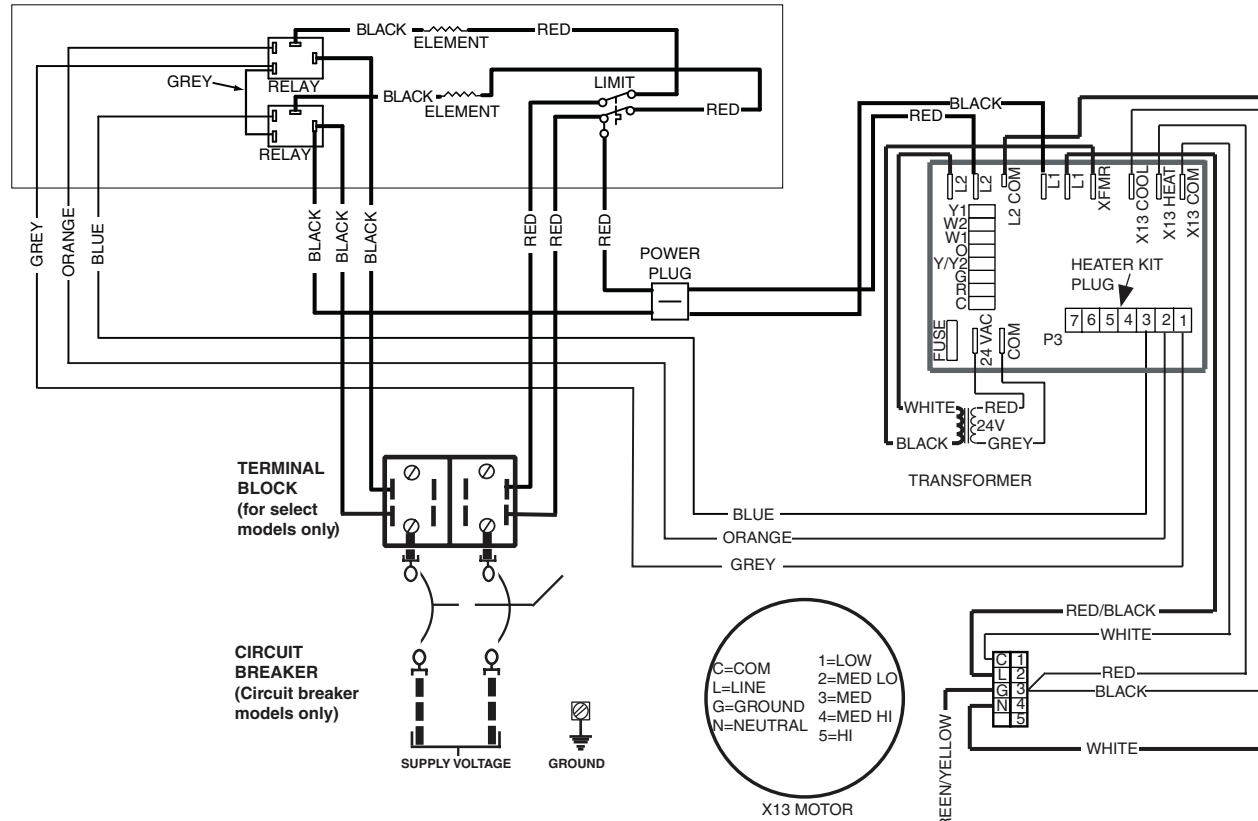


# WIRING DIAGRAM

## Air Handler with Factory Installed Heat (8 kW, 10kW)

### X13 MOTOR



#### NOTES:

- 1) The blower motor speed tap connection may not be as shown. See the Installation Instructions.
- 2) Disconnect all power before servicing.
- 3) Transformer may have a dual voltage primary tap. Match the tap position with the supply voltage used.
- 4) If the Internal wiring is replaced, use only 105°C copper wire of the same gauge.

	5
N	4
G	3
L	2
C	1

**BLOWER MOTOR PLUG**

N = NEUTRAL  
G = GROUND  
L = LINE  
C = COMMON

**SPEED TAPS**

5 = HI  
4 = MED HI  
3 = MED  
2 = MED LOW  
1 = LOW

710541B (Replaces 710541A)