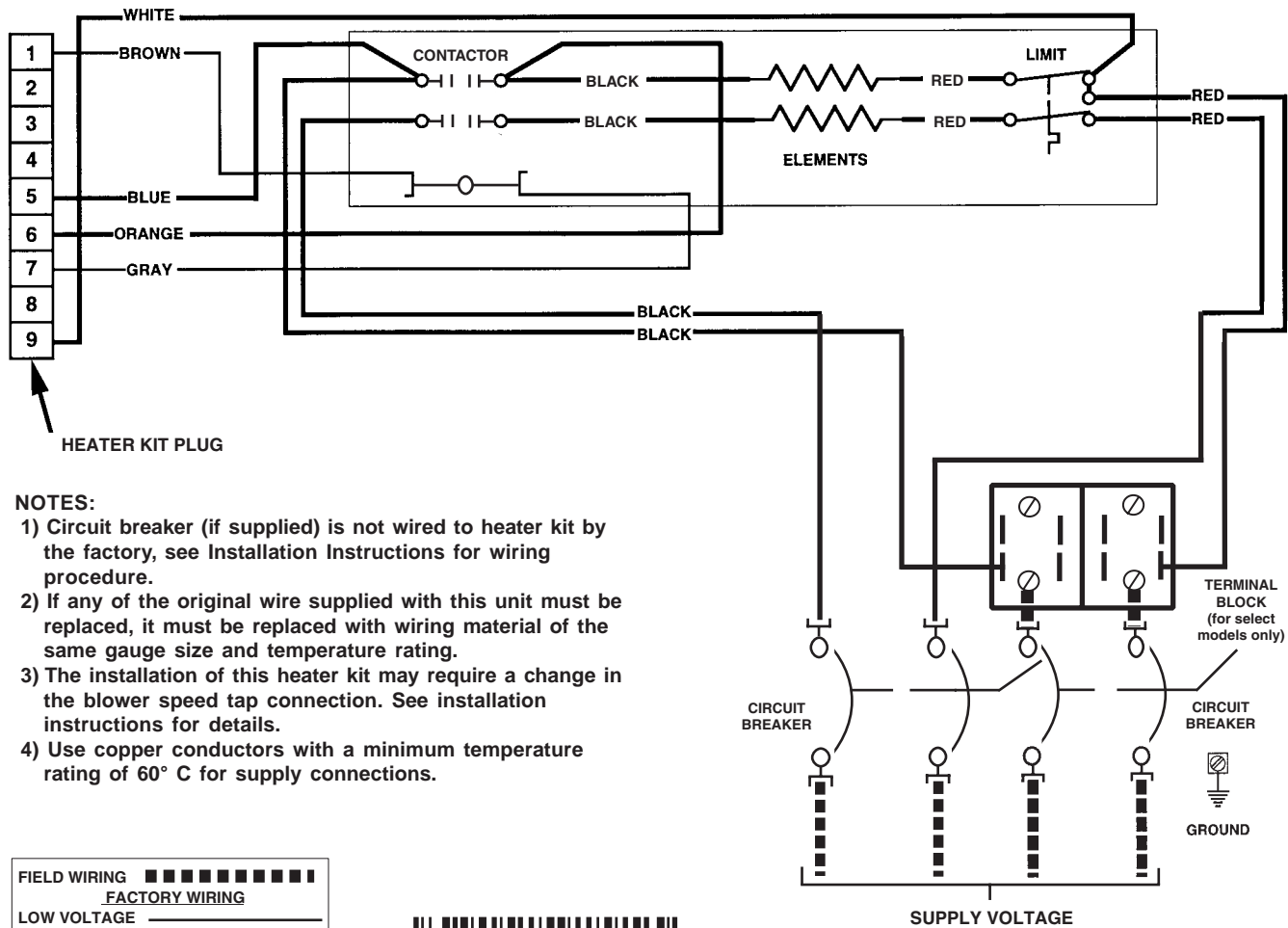


WIRING DIAGRAM

H4HK012H-21B (with circuit breakers)

12kW, 1-Stage, 240 VAC, 1-Phase Electric Heater Kit



NOTES:

- 1) Circuit breaker (if supplied) is not wired to heater kit by the factory, see Installation Instructions for wiring procedure.
- 2) If any of the original wire supplied with this unit must be replaced, it must be replaced with wiring material of the same gauge size and temperature rating.
- 3) The installation of this heater kit may require a change in the blower speed tap connection. See installation instructions for details.
- 4) Use copper conductors with a minimum temperature rating of 60° C for supply connections.

FIELD WIRING	-----
FACTORY WIRING	—————
LOW VOLTAGE	—————
HIGH VOLTAGE	—————



7104840