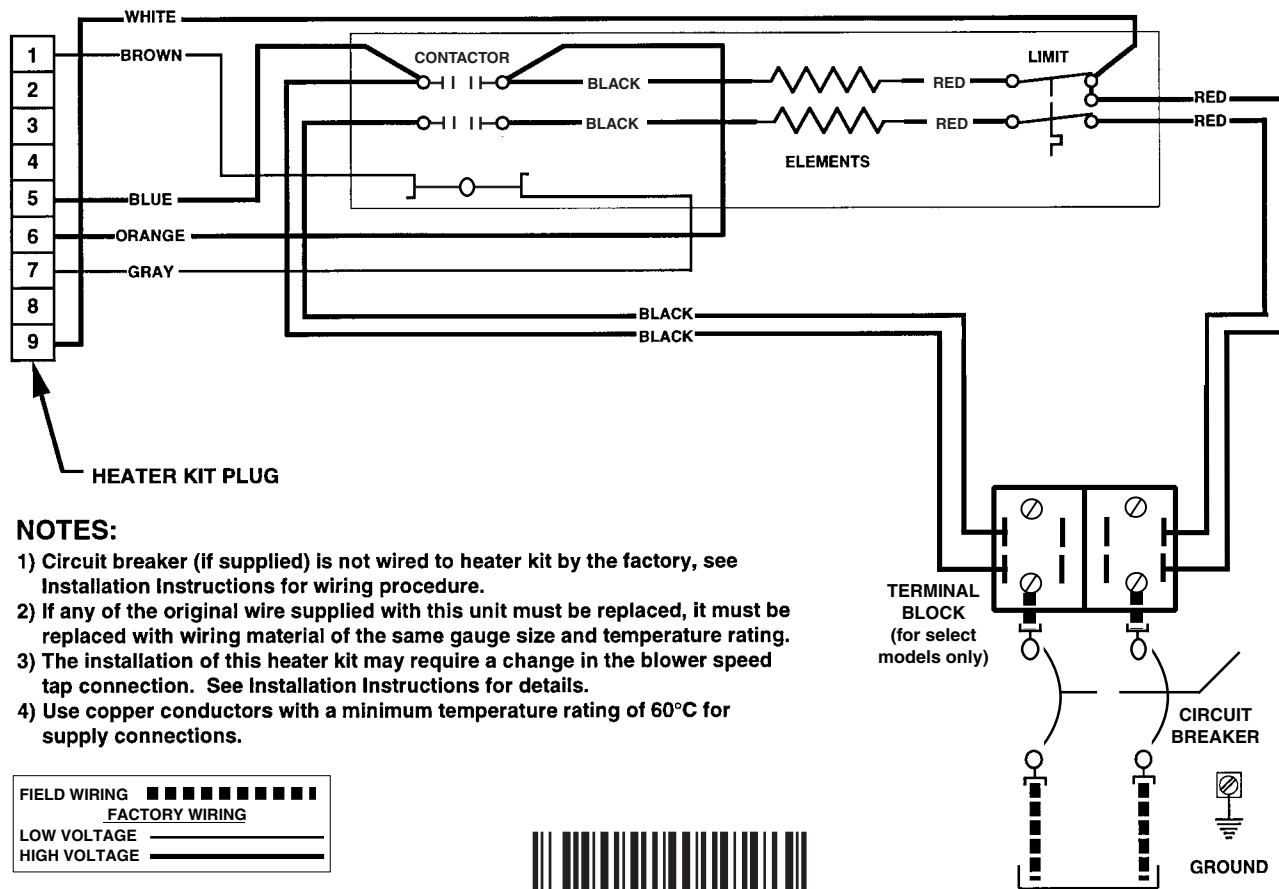


WIRING DIAGRAM

H3HK008H-01B (without circuit breaker)
 H3HK010H-01B (without circuit breaker)
 H4HK008H-01B (without circuit breaker)
 H4HK008H-11B (with circuit breaker)

8kW, 10kW, 1-Stage, 240 VAC, 1-Phase Electric Heater Kit
 H4HK010H-11B (with circuit breaker)
 H4HK010H-01B (without circuit breaker)



NOTES:

- 1) Circuit breaker (if supplied) is not wired to heater kit by the factory, see Installation Instructions for wiring procedure.
- 2) If any of the original wire supplied with this unit must be replaced, it must be replaced with wiring material of the same gauge size and temperature rating.
- 3) The installation of this heater kit may require a change in the blower speed tap connection. See Installation Instructions for details.
- 4) Use copper conductors with a minimum temperature rating of 60°C for supply connections.

FIELD WIRING	■ ■ ■ ■ ■ ■ ■ ■ ■ ■
FACTORY WIRING	— — — — —
LOW VOLTAGE	— — — — —
HIGH VOLTAGE	— — — — —



710395A