

WIRING DIAGRAM

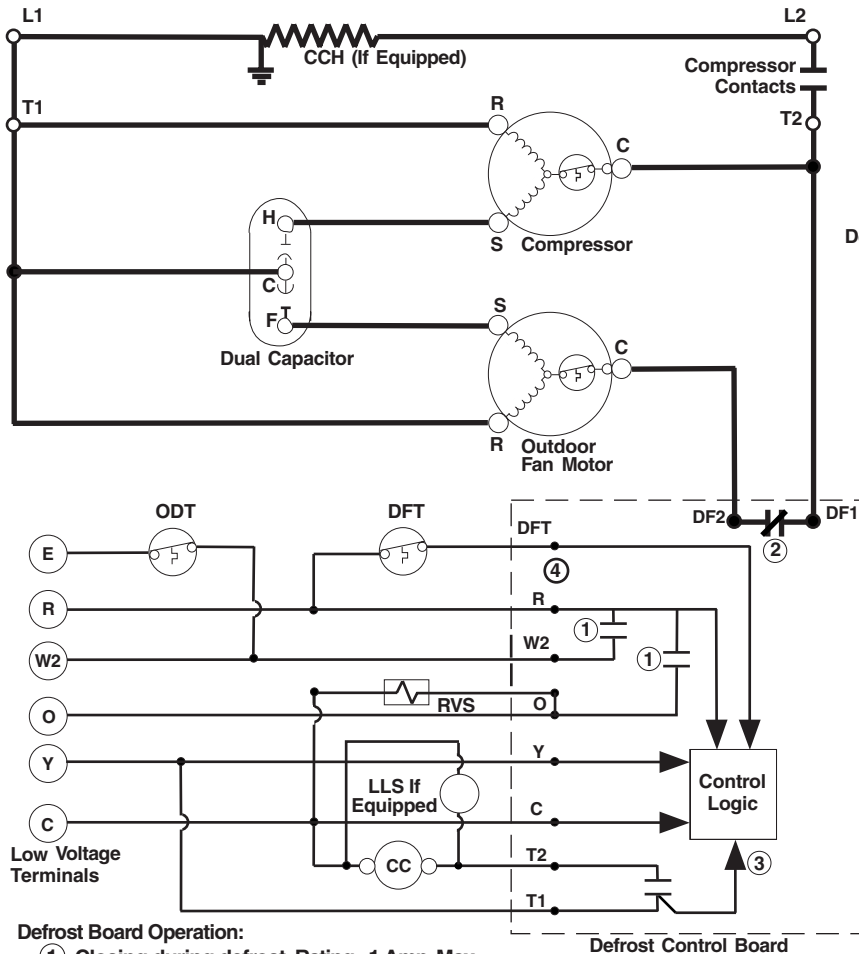
Split System Heat Pump (Outdoor Section)

Single Phase

NOTES:

1. Disconnect all power before servicing.
2. For supply connections use copper conductors only.
3. Not suitable on systems that exceed 150 volts to ground.
4. For replacement wires use conductors suitable for 105 C.
5. For ampacities and overcurrent protection, see unit rating plate.
6. Connect to 24 vac/40va/class 2 circuit. See furnace/air handler instructions for control circuit and optional relay/transformer kits.

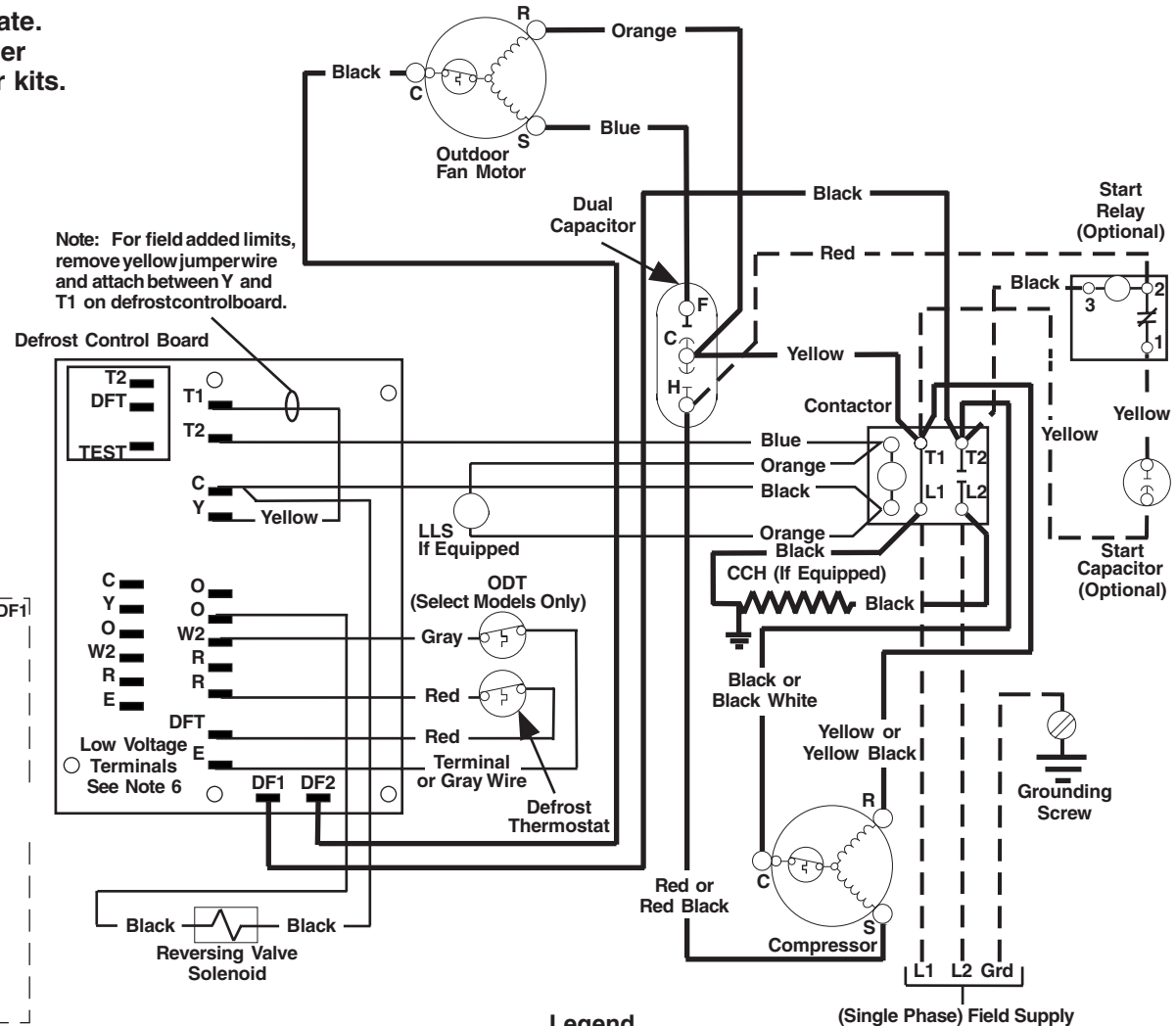
1. Couper le courant avant de faire letretien.
2. Employez uniquement des conducteurs en cuivre.
3. Ne convient pas aux installations de plus de 150 volt a la terre.



Defrost Board Operation:

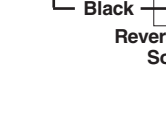
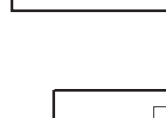
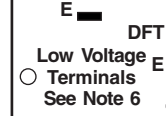
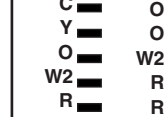
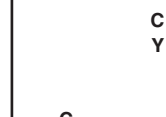
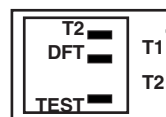
- ① Closing during defrost. Rating: 1 Amp. Max.
- ② Opens during defrost. Rating: 2 HP at 230 Vac Max.
- ③ Closed when "Y" is on. Open when "Y" is off. Provides "off" delay time of 5 min. when "Y" opens.
- ④ With DFT closed and "Y" closed, compressor run time is accumulated. Opening of DFT during defrost or interval period resets the interval to 0.

Defrost Control Board



Note: For field added limits, remove yellow jumper wire and attach between Y and T1 on defrost control board.

Defrost Control Board



Legend

Field Wiring	-----
Factory Wiring:	
Low Voltage	_____
High Voltage	_____

(Single Phase) Field Supply



710235B
(Replaces 710235A)