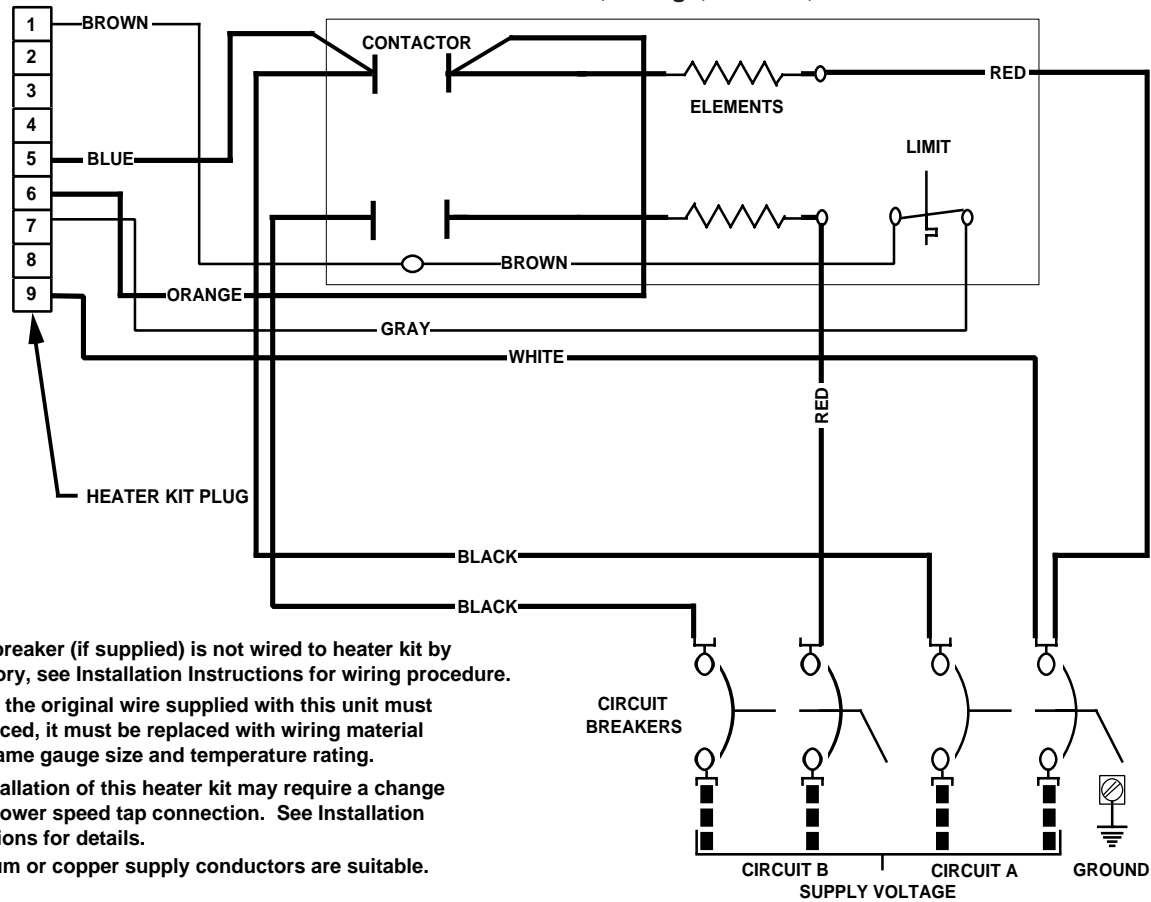


# WIRING DIAGRAM

14 kW, 1-Stage, 240 VAC, 1-Phase Electric Heater Kit



## NOTES

- 1) Circuit breaker (if supplied) is not wired to heater kit by the factory, see Installation Instructions for wiring procedure.
- 2) If any of the original wire supplied with this unit must be replaced, it must be replaced with wiring material of the same gauge size and temperature rating.
- 3) The installation of this heater kit may require a change in the blower speed tap connection. See Installation Instructions for details.
- 4) Aluminum or copper supply conductors are suitable.

## Legend

Field Wiring	-----
Factory Wiring	—————
Low Voltage	—————
High Voltage	—————



710158A (Replaces 7101580)