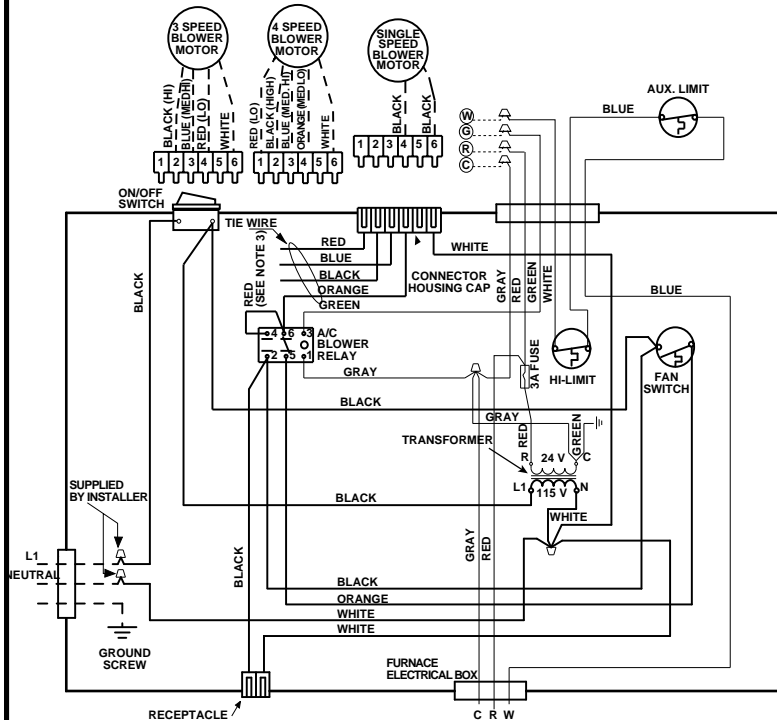


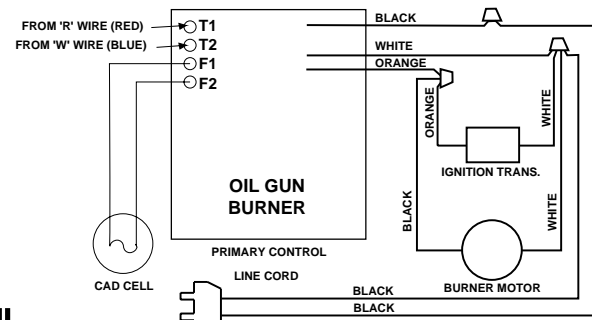
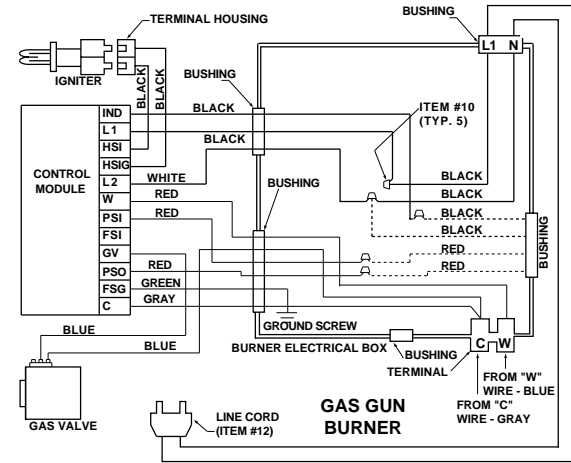
WIRING DIAGRAM

Gas and Oil Gun Furnaces, A/C Ready M1(B, S) All Models



- NOTES**
- Incoming power must be polarized. Observe color coding (See furnace data label for electrical information.)
 - If any of the original wires (as supplied with the appliance) must be replaced, use 105°C Thermoplastic type wire or its equivalent.
 - On models M1(B,S)A and M1(B,S)086 jumper wire is installed. On all other models, cooling speed is connected to black wire.
 - A/C & Heating Speeds: Refer to Table 10, A/C Blower Selection in manual.

LEGENDS	
115V: ———	FIELD 115V: - - - - -
24V: ———	FIELD 24V: - - - - -



7101530 (Replaces 7101060) 8/00