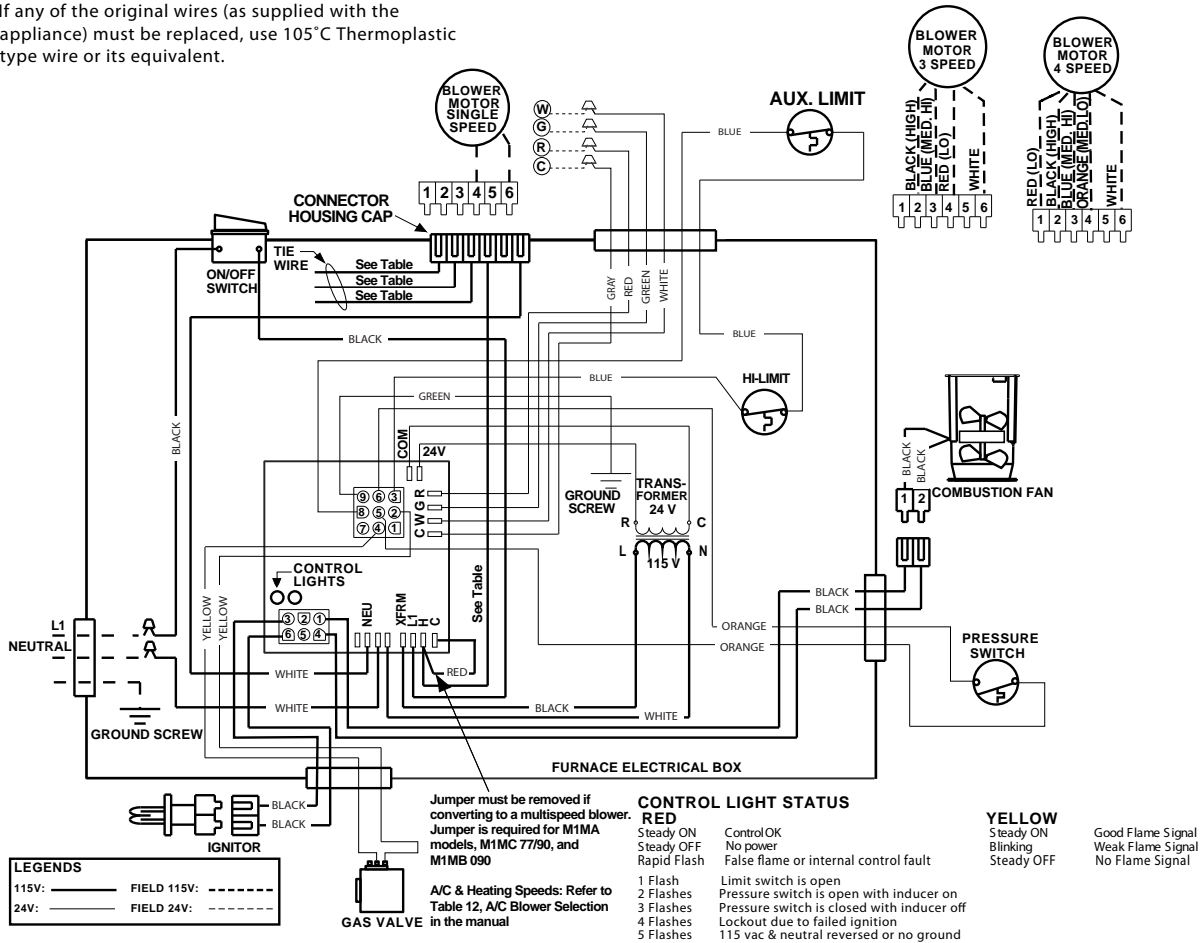


WIRING DIAGRAM

Gas Direct Ignition Furnace, Heating & A/C Ready, M1M All Models.

NOTES

- Incoming power must be polarized. Observe color coding. (See furnace data label for electrical information.)
- If any of the original wires (as supplied with the appliance) must be replaced, use 105°C Thermoplastic type wire or its equivalent.



Blower Wire Connections				
Furnace Model	Wire #1 Red	Wire #2 Black	Wire #3 Blue	Wire #4 Orange
M1MB 056	Tie Wrapped	Control Board "C"	Tie Wrapped	Control Board "H"
M1MB 070/077	Tie Wrapped	Tie Wrapped	Control Board "H"	Control Board "C"
M1MB 90	Tie Wrapped	Control Board "H"	Tie Wrapped	Tie Wrapped
M1MC 056/070	Control Board "H"	Tie Wrapped	Tie Wrapped	Control Board "C"
M1MC 077/090	Tie Wrapped	Tie Wrapped	Tie Wrapped	Control Board "H"

Blower Wire Table

710152E

(Replaces 710152D)



LEGEND:

FIELD WIRING	- - - - -
LOW VOLTAGE	—————
HIGH VOLTAGE	—————