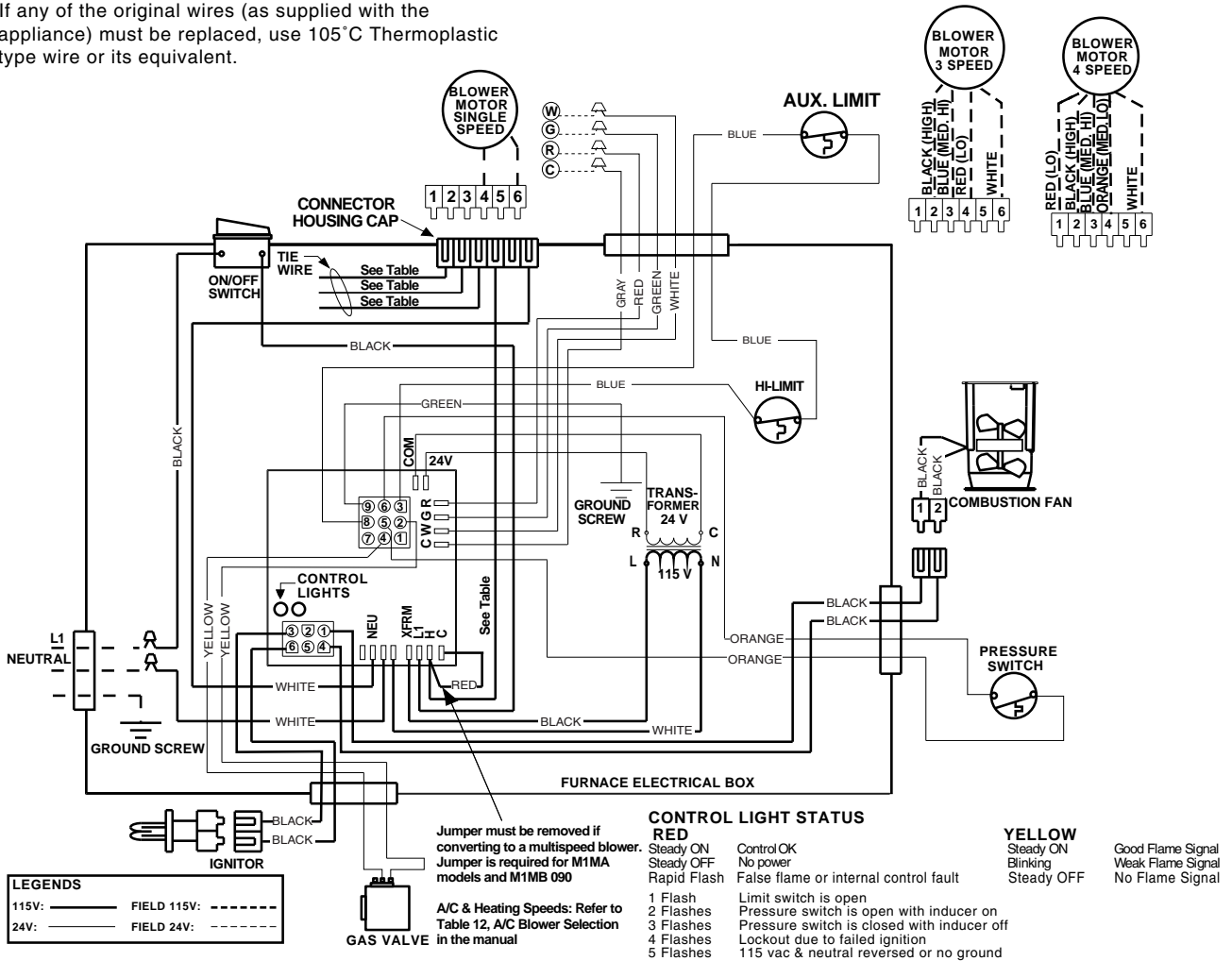


WIRING DIAGRAM

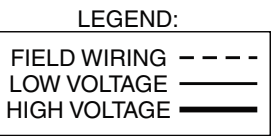
Gas Direct Ignition Furnace, Heating & A/C Ready, M1M All Models.

NOTES

- Incoming power must be polarized. Observe color coding. (See furnace data label for electrical information.)
- If any of the original wires (as supplied with the appliance) must be replaced, use 105°C Thermoplastic type wire or its equivalent.



Blower Wire Connections				
Furnace Model	Wire #1 Red	Wire #2 Black	Wire #3 Blue	Wire #4 Orange
M1MA 056/070/077/090	Tie Wrapped	Tie Wrapped	Tie Wrapped	Control Board "H"
M1MB 056	Tie Wrapped	Control Board "C"	Tie Wrapped	Control Board "H"
M1MB 070/077	Tie Wrapped	Tie Wrapped	Control Board "H"	Control Board "C"
M1MB 90	Tie Wrapped	Control Board "H"	Tie Wrapped	Tie Wrapped
M1M(C,D) 056/070	Control Board "H"	Tie Wrapped	Tie Wrapped	Control Board "C"
M1M(C,D) 077/090	Tie Wrapped	Tie Wrapped	Tie Wrapped	Control Board "H"



710152D
 (Replaces 710152C)

Blower Wire Table