

WIRING DIAGRAM

P3B* SERIES - PACKAGE SYSTEM AIR CONDITIONER

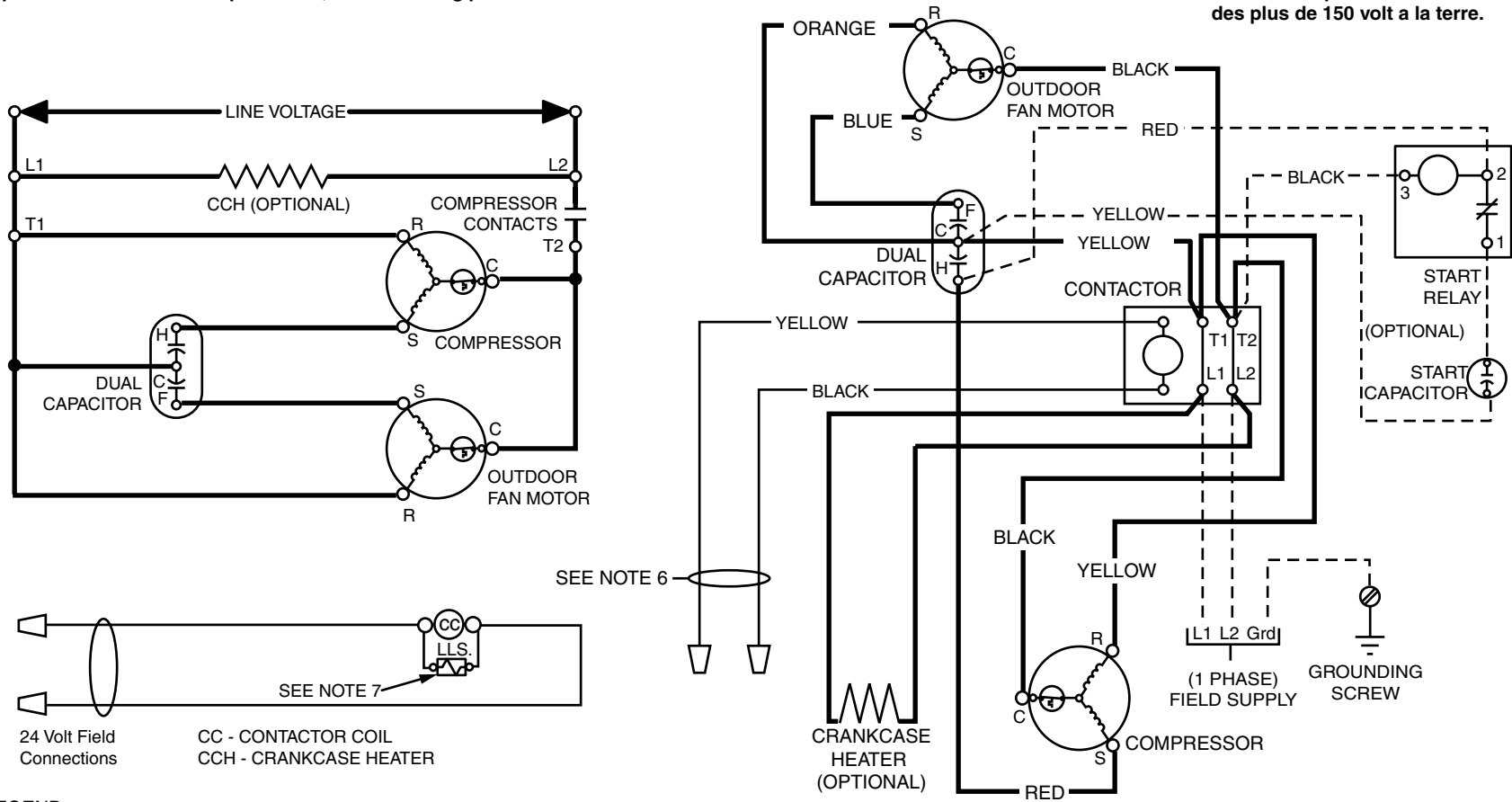
SINGLE PHASE

NOTES:

1. Disconnect all power before servicing.
2. For supply connections use copper conductors only.
3. Not suitable on systems that exceed 150 volts to ground.
4. For replacement wires use conductors suitable for 105 C.
5. For ampacities and overcurrent protection, see unit rating plate.

6. Connect to 24 vac/40va /class 2 circuit. See furnace/air handler installation instructions for control circuit and optional relay/transformer kits.
7. Liquid Line Solenoid used on P3BD-048 model only.

1. Couper le courant avant de faire letretien.
2. Employez uniquement des conducteurs en cuivre.
3. Ne convient pas aux installations des plus de 150 volt a la terre.



710139B
(Replaces 710139A)