

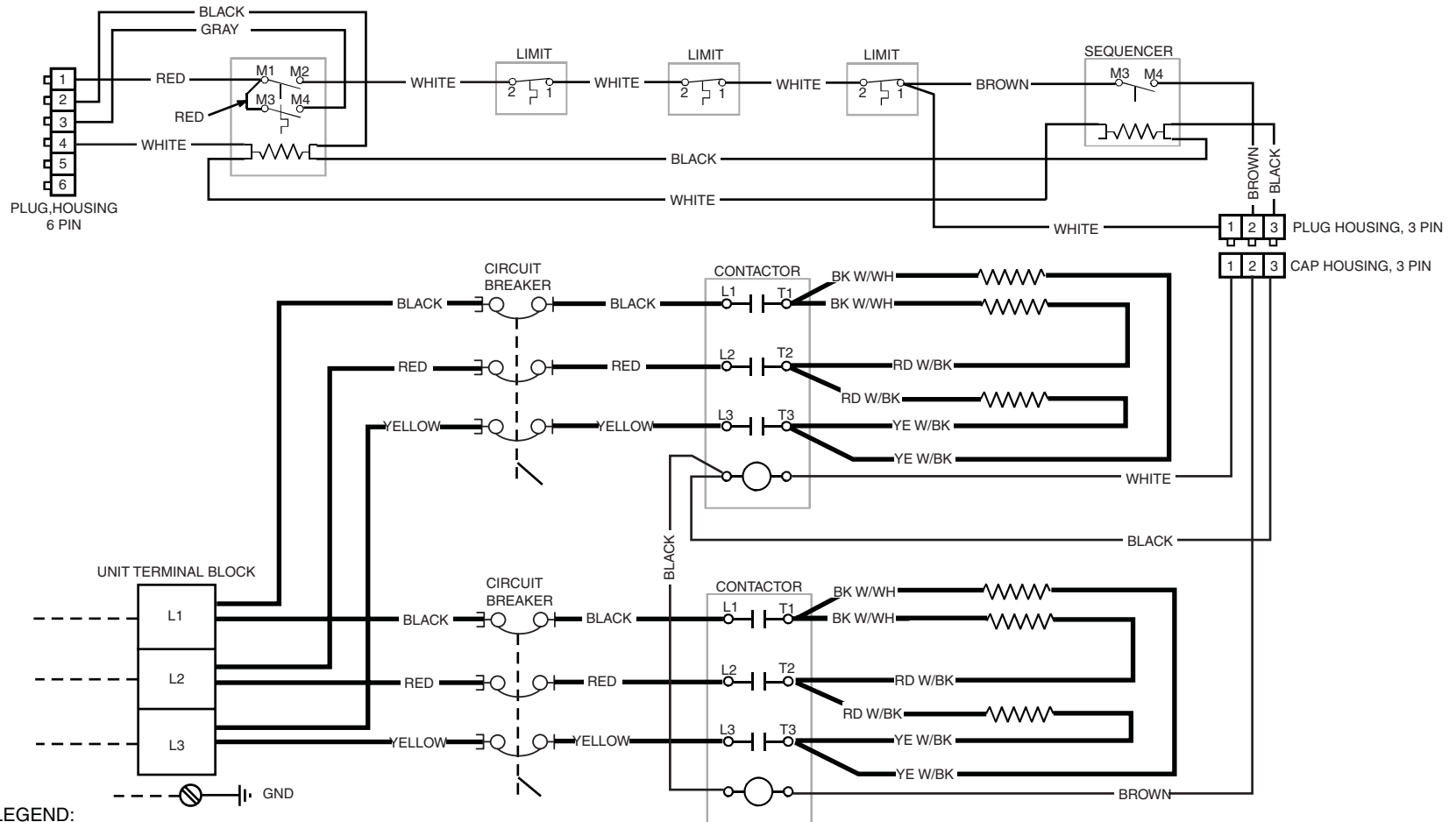
# WIRING DIAGRAM

H5HK030Q-22 & H5HK035Q-22

30KW & 35KW, 1-STAGE, 208/240 VAC, 3-PHASE HEATER KIT

**NOTES:**

1. Circuit breakers may not be wired to heater kit by the factory, see Installation Instructions for wiring procedure.
2. If any of the original wire supplied with this unit must be replaced, it must be replaced with wiring material of the same gauge size and temperature rating,
3. Use copper conductors with minimum temperature rating of 60c for supply connections.



**LEGEND:**

FIELD WIRING	----
LOW VOLTAGE	_____
HIGH VOLTAGE	—————



**710100B**  
(Replaces 710100A)  
1208