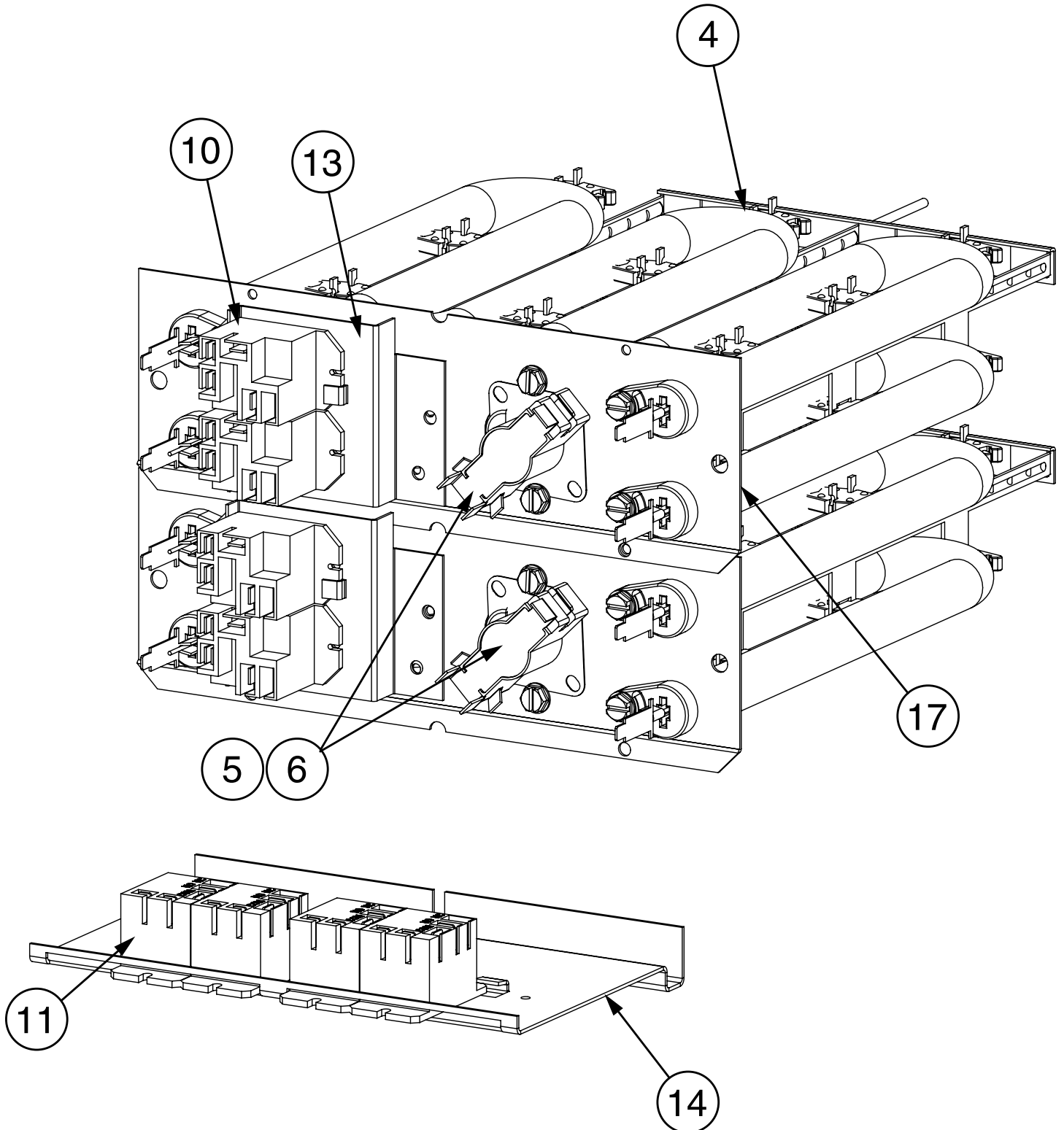


**REPLACEMENT PARTS LIST**

**H8HK HEATER KIT  
SINGLE & THREE PHASE SERIES**



## H8HK (5, 8, & 10 KW) HEATER KIT

ITEM	DESCRIPTION	SINGLE PHASE						3-PHASE
		H8HK-005H-01	H8HK-005H-11	H8HK-008H-01	H8HK-008H-11	H8HK-010H-01	H8HK-010H-11	H8HK-009Q-11
1	COMPLETE HEATER KIT	922520	922521	922522	922523	922525	922526	922524
2	SET OF WIRES - H8HK (NOT SHOWN)	M0107701R	M0107701R	M0107702R	M0107702R	M0107702R	M0107702R	291531R
3	HARNESS, LOW VOLTAGE (NOT SHOWN)	2C3351	2C3351	2C3361	2C3361	2C3361	2C3361	2C3351
4	HEATING ASSEMBLY	1 ELEMENT	491214R	491214R	491226R	491226R	491225R	491225R
		2 ELEMENT						
5	THERMAL LIMIT - 2 POLES	—	—	626458	626458	626458	626458	626458
6	THERMAL LIMIT - 1 POLE	626487	626487	—	—	—	—	—
7	TERMINAL BLOCK (NOT SHOWN)	631761	-	631762	—	631762	—	—
8	LINE COVER (NOT SHOWN)	257442	257442	257442	257442	257442	257442	257442
9	CONTACTOR (NOT SHOWN)	—	—	—	—	—	—	621888
10	RELAY, DC	622671	622671	622671	622671	622671	622671	622671
11	RELAY, AC	624843	624843	624843	624843	624843	624843	—
12	BRACKET, SPACER ELEMENT (NOT SHOWN)	—	—	—	—	—	—	279031
13	BRACKET,HTR KIT RELAY	288621	288621	288621	288621	288621	288621	288621
14	BRACKET,HTR KIT AC RELAYS	—	—	—	—	—	—	—
15	BRACKET, CIRCUIT BREAKER (NOT SHOWN)	284861	284861	284861	284861	284861	284861	284861
16	CIRCUIT BREAKER (NOT SHOWN)	—	632249	—	632249	—	632249	632225
17	CLOSE-OFF PLATE MODIFIED	—	—	371096	371096	371096	371096	—

Please specify the correct Model No., Serial No., & part number(s) when ordering parts from the nearest authorized dealer or service center.

## H8HK (15, 20, 24, & 29 KW) HEATER KIT

ITEM	DESCRIPTION	SINGLE PHASE				3-PHASE
		H8HK-015H-21	H8HK-020H-21	H8HK-024H-31	H8HK-029H-31	H8HK-015Q-11
1	COMPLETE HEATER KIT	922527	922529	922530	922532	922528
2	SET OF WIRES - H8HK (NOT SHOWN)	M0107703R	M0107704R	M0107705R	M0107706R	291531R
3	HARNESS, LOW VOLTAGE (NOT SHOWN)	2C3371	2C3381	2C3341	2C3351	2C3351
4	HEATING ASSEMBLY	1 ELEMENT	491225R	491214R	491225R	491214R
		2 ELEMENT		491225R		
5	THERMAL LIMIT - 2 POLES	626458	626458	626458	626458	626458
6	THERMAL LIMIT - 1 POLE	626487	—	626487	—	626487
7	TERMINAL BLOCK (NOT SHOWN)	—	—	—	v	—
8	LINE COVER (NOT SHOWN)	257442	257442	257443	257443	257442
9	CONTACTOR (NOT SHOWN)	-	—	—	—	621888
10	RELAY, DC	622671	622671	622671	622671	622671
11	RELAY, AC	624843	624843	624843	624843	—
12	BRACKET, SPACER ELEMENT (NOT SHOWN)	279031	279031	279031	279031	279031
13	BRACKET,HTR KIT RELAY	288621	288621	288621	288621	288621
14	BRACKET,HTR KIT AC RELAYS	2C8451	2C8451	2C8451	2C8451	-
15	BRACKET, CIRCUIT BREAKER (NOT SHOWN)	284861	284861	284862	284862	284861
16	CIRCUIT BREAKER (NOT SHOWN)	632249	632249	632249	632249	632225
17	CLOSE-OFF PLATE MODIFIED	—	—	—	—	—

Please specify the correct Model No., Serial No., & part number(s) when ordering parts from the nearest authorized dealer or service center.

