

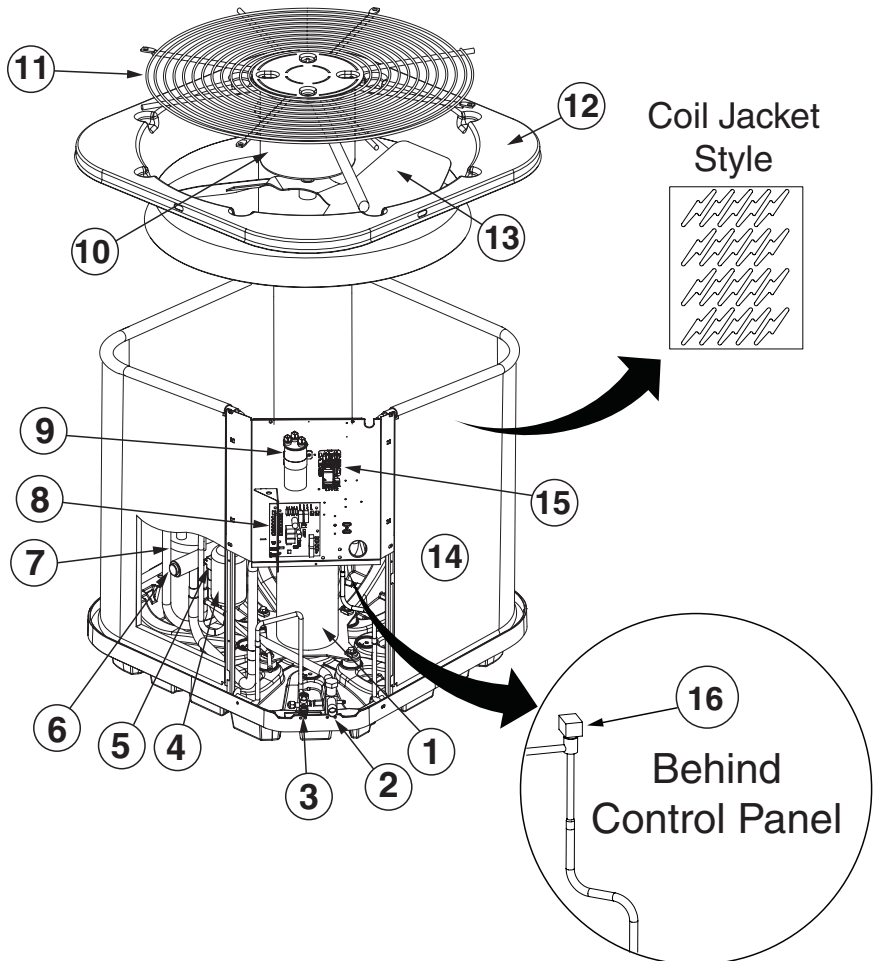
REPLACEMENT PARTS LIST

SPLIT SYSTEM HEAT PUMP WITH MICROCHANNEL COIL

JT4BE-C SERIES

3-PHASE, 208/230V, 14 SEER MODELS

ITEM #	COMPONENT
1	COMPRESSOR
2	REFRIGERANT VALVE (LG)
3	REFRIGERANT VALVE (SM)
4	MUFFLER
5	REVERSING VALVE COIL
6	REVERSING VALVE
7	ACCUMULATOR
8	DEFROST BOARD
9	CAPACITOR
10	OUTDOOR FAN MOTOR
11	OUTDOOR FAN GRILLE
12	TOP PAN
13	OUTDOOR FAN BLADE
14	OUTDOOR COIL
15	CONTACTOR
16	HOT GAS BYPASS SOLENOID



JT4BE-C SERIES SPLIT SYSTEM HEAT PUMP WITH MICROCHANNEL COIL

COMPONENT	JT4BE-036C	JT4BE-048C	JT4BE-060C
	922509J	922510J	922511J
ACCUMULATOR	668794R	668854R	668854R
AMBIENT SENSOR	624780R	624780R	624780R
CAPACITOR	01-0021	01-0023	01-0023
COMPRESSOR	922554	920365	920332
COMPRESSOR MOLDED PLUG	634692R	634692R	634692R
CONTACTOR	621667R	621667R	621667R
CRANKCASE HEATER	632410R	632410R	632410R
DEFROST BOARD	624813R	624813R	624813R
DEFROST SENSOR	624812R	624812R	624812R
FILTER DRIER	669762R	669761R	669761R
HIGH PRESSURE SWITCH	632473R	632473R	632473R
HOT GAS BYPASS COIL	669992R	669992R	669992R
HOT GAS BYPASS VALVE	669965R	669965R	669965R
MUFFLER	669546R	669546R	669546R
OUTDOOR COIL	664907R	664908R	664909R
OUTDOOR COIL GUARD	2B6606R	2B6606R	2B6606R
OUTDOOR FAN BLADE	667383R	667383R	667383R
OUTDOOR FAN GRILLE	669335R	669335R	669335R
OUTDOOR FAN MOTOR	622080R	621990R	621990R
REFRIGERANT VALVE (LG)	663865R	663865R	663865R
REFRIGERANT VALVE (SM)	664850R	664850R	664850R
RELAY	—	—	—
REVERSING VALVE	M0079102	M0079102	M0079102
REVERSING VALVE COIL	669937R	669937R	669937R
SWIVEL NUT CONNECTOR	664194R	664194R	664194R
TOP PAN	496162R	496162R	496162R

Please specify the correct Model No., Serial No., and part number(s) when ordering parts from the nearest authorized dealer or service center.

