

QUICK REFERENCE DATA

*S6QD Series - Residential Split System Air Conditioner

MODEL NUMBER: *S6QD		024KA	030KA	036KA	042KB	048KB	060KA	
ELECTRICAL DATA	Volts-Cycles Phase (1)	208 / 230 - 60 - 1						
	Total Amps	10.3	10.8	16.4	19.4	23.2	27.8	
	Delay Fuse Max. (2)	20	20	35	40	50	60	
	Min. Circuit Ampacity	12.7	13.3	20.1	23.9	28.7	34.4	
COMPONENT DATA	Coil	Area	10.0	10.0	13.3	15.3	15.3	17.9
		Rows-FPI	1-23	1-23	1-23	1-18	1-18	1-18
		Tube Dia.	Micro-Channel					
	Fan Motor	Type	PSC	PSC	PSC	PSC	PSC	PSC
		Amps	0.7	0.7	1.4	1.5	1.5	1.5
		HP	0.1	0.1	0.25	0.25	0.25	0.25
	Compressor Data	RLA	9.6	10.1	15.0	17.9	21.8	26.4
LRA		60.5	60.0	88	112	117	134	
RECOMMENDED REFRIGERANT SUCTION LINE O.D		15 - 24 ft.	3/4"	3/4"	3/4"	7/8"	7/8"	
NOTE: Liquid line is 3/8" O.D. for entire length.		25 - 39 ft.	3/4"	3/4"	7/8" (3)	7/8"	1-1/8" (4)	
		40 - 75 ft.	3/4"	3/4"	7/8" (3)	7/8"	1-1/8" (4)	
REFRIGERANT CHARGE: R-410A in ounces for outdoor unit, indoor unit, & 15' Lineset		51	58	61	81	76	111.6	
APPROXIMATE WEIGHT (LBS.)	Net	113	116	135	179	179	188	
	Ship	118	121	140	187	187	197	

(1) Operating Voltage Range: 187v min. — 253v max.

(2) HACR Type Circuit Breakers may be used.

(3) Requires 7/8" to 3/4" reducer from line to unit.

(4) Requires 7/8" to 1-1/8" reducer from line to unit.

* For other line set dimensions, refer to the Application Guidelines for Refrigerant Lines Addendum.

Table 1. Electrical Specifications & Physical Data

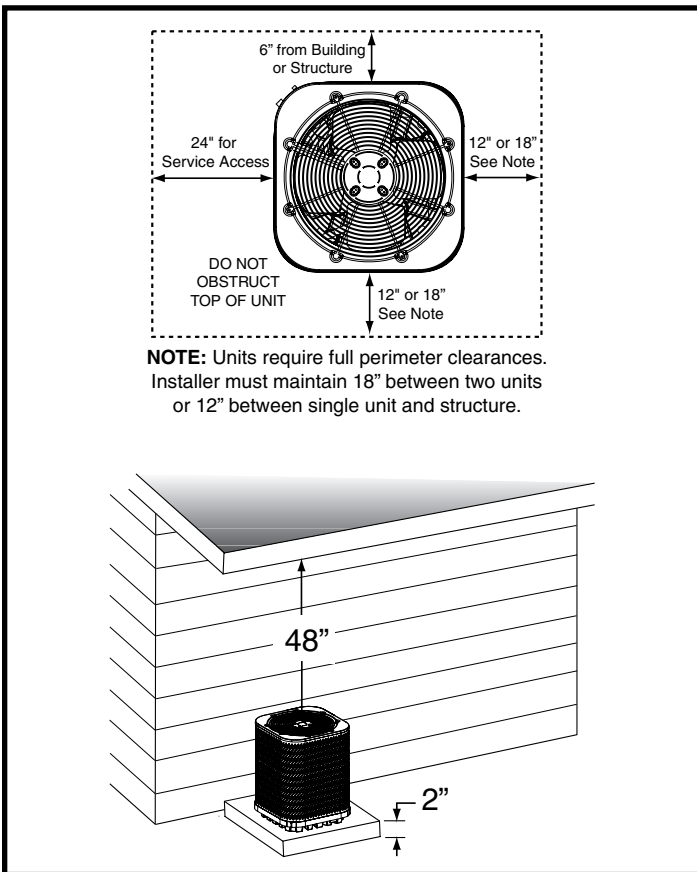


Figure 1. Clearance Requirements

WIRE GAUGE	RECOMMENDED MAXIMUM WIRE LENGTH (FT) FROM UNIT TO THERMOSTAT
22	45
20	70
18	115
16	180

Table 2. Control Wiring (24V)

MODEL NUMBER	HEIGHT (H)	WIDTH (W)	DEPTH (D)
*S6QD-024KA	27 1/2"	22 3/4"	22 3/4"
*S6QD-030KA	27 1/2"	22 3/4"	22 3/4"
*S6QD-036KA	35 1/2"	22 3/4"	22 3/4"
*S6QD-042KB	27 1/2"	30 3/4"	30 3/4"
*S6QD-048KB	27 1/2"	30 3/4"	30 3/4"
*S6QD-060KA	31 1/2"	30 3/4"	30 3/4"

Table 3. Unit Dimensions

Instructions:

1. Find the column for the model of outdoor unit that is being installed.
2. Find the row for the model of the indoor unit that is being installed.
3. Find the cell in the table in which this row and column meet. In this cell the appropriate orifice / TXV and charge addition for this match are listed. If the text in this cell is **BOLD**, then a change of orifice is necessary.
4. If a change in restrictor is necessary, then the appropriate restrictor will already be supplied with the outdoor unit.

Examples:

- For the *S6QD-024KA / C8QAM024U-B match the appropriate restrictor is the 0.055" and no additional charge needs to be added. (NO CHANGES REQUIRED)
- For the *S6QD-048KB / CM4Q-54U match the correct TXV is supplied with the indoor unit and no additional charge needs to be added. (NO CHANGES REQUIRED)

ID RESTRICTOR INSTALLED WITH ID UNIT	MODEL NO. *S6QD		24KA	30KA	36KA	42KB	48KB	60KA	
	TOTAL SYSTEM CHARGE (OZ.)		51	58	61	81	76	111.6	
	MODELS	SUPPLIED WITH ID	REQUIRED RESTRICTOR OR TXV / CHARGE ADDITION (OZ)						
	C8								
	C8QAM024U-B	0.055	0.055 (0 / 805)	--	--	--	--	--	--
	C8QAM030U-B	0.061	--	0.061 (0 / 930)	--	--	--	--	--
	C8QAM036U-B	0.067	--	--	0.067 (0 / 1245)	--	--	--	--
	CM4								
	CM4Q-53U	TXV	--	--	--	TXV (0 / 1250)	--	--	--
	CM4Q-54U	TXV	--	--	--	--	TXV (0 / 1450)	TXV (0 / 1450)	TXV (0 / 1450)
CM4Q-55U	TXV	--	--	--	--	TXV (0 / 1600)	--	--	
CM4Q-56U	TXV	--	--	--	--	--	--	TXV (0 / 1600)	

NOTES

- The charges listed are only valid for the standard 15' lineset.
- Numbers listed as 0.*** are restrictor diameters, while numbers listed as 669*** are TXV part numbers.

Table 4. Restrictor or TXV / Charge Addition (Oz)

