

QUICK REFERENCE DATA

***SH4BE Series Residential Split System Heat Pump with Microchannel Coils** **14 SEER**

Model Number: *SH4BE		018KA	024KA	030KA	036KA	042KA	048KA	060KA	
Electrical Data	Volts-Cycles-Phase (1)	208/230-60-1							
	Total Amps	9.9	14.4	13.7	15.1	19.4	21.3	27.7	
	Delay Fuse Max. (2)	20	30	25	30	40	45	60	
	Min. Circuit Ampacity	12.1	17.7	16.9	18.6	23.9	26.3	34.3	
Condenser Data	Coil	Area	17.5	17.5	22.5	25.0	24.4	24.4	
		Rows-FPI	1 - 14	1 - 14	1 - 14	1 - 14	1 - 14	1 - 14	1 - 16
		Tube Dia	MC						
	Fan Motor	Type	PSC						
		Amps	0.9	0.9	0.9	1.0	1.5	1.5	1.5
		Watts-HP	0.13	0.13	0.13	0.20	0.25	0.25	0.25
	Compressor Data	RLA	9.0	13.4	12.8	14.1	17.9	19.8	26.2
		LRA	46.0	58.3	64.0	77.0	112.0	109.0	134.0
REFRIGERANT SUCTION LINE O.D		0-24 ft.	3/4"	3/4"	3/4"	7/8"	7/8"	7/8"	
NOTE: Liquid line is 3/8" O.D. for entire length.		25-39 ft.	3/4"	3/4"	3/4"	7/8"	7/8"	7/8"	
		40-75 ft.	3/4"	3/4"	3/4"	7/8"	7/8"	7/8"	
Refrigerant charge (R-410A) in ounces for outdoor unit, indoor unit and 15' line set. (4)		70.0	68.0	72.0	87.0	115.0	115.0	114.0	
Weight Approximate (lbs.)	Net	135	140	149	158	191	193	201	
	Ship	144	149	158	167	200	202	210	

- (1) Operating Voltage Range: 187v min. - 253v max.
- (2) HACR Type Circuit Breakers may be used.
- (3) Requires 7/8" to 3/4" reducer from line to unit.
- (4) Requires 7/8" to 1-1/8" reducer from line to unit.
- (5) Additional charge fro line sets above 15 feet. Values based on suction line as follows with 3/8" liquid line.
 - (a) 3/4" = 0.6 oz. per additional foot.
 - (b) 7/8" = 0.7 oz. per additional foot.
 - (c) 1 1/8" = 0.8 oz. per additional foot.

Table 1. Electrical Specifications & Physical Data

Thermostat Wire Gauge	Recommended T-Stat Wire Unit to T-Stat (Length in FT)	
	2-Wire (Heating)	5-Wire (Heating/Cooling)
24	55	25
22	90	45
20	140	70
18	225	110

Table 2. Thermostat Wire Gauge

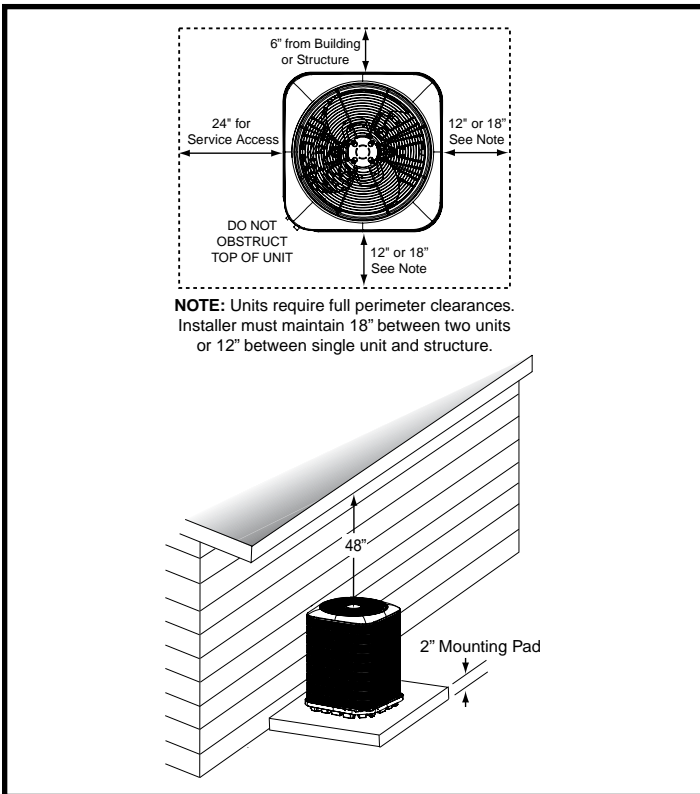
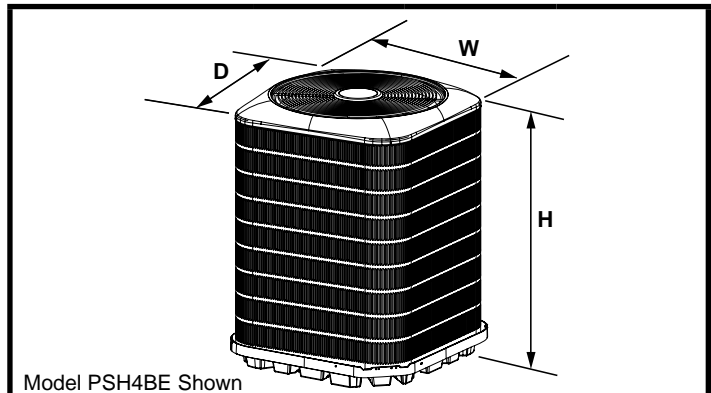


Figure 1. Clearance Requirements



MODEL NUMBER	HEIGHT (H)	WIDTH (W)	DEPTH (D)
*SH4BE018KA	33 1/2"	30 3/4"	30 3/4"
*SH4BE024KA	33 1/2"	30 3/4"	30 3/4"
*SH4BE030KA	41 1/2"	30 3/4"	30 3/4"
*SH4BE036KA	45 1/2"	30 3/4"	30 3/4"
*SH4BE042KA	45 1/2"	30 3/4"	30 3/4"
*SH4BE048KA	45 1/2"	30 3/4"	30 3/4"
*SH4BE060KA	45 1/2"	30 3/4"	30 3/4"

Table 3. Unit Dimensions

Instructions:

1. Find the column for the model of outdoor unit that is being installed.
2. Find the row for the model of the indoor unit that is being installed.
3. Find the cell in the table in which this row and column meet. In this cell the appropriate orifice / TXV and charge addition for this match are listed. If the text in this cell is BOLD, then a change of orifice is necessary.
4. If a change in restrictor is necessary, then the appropriate restrictor will already be supplied with the outdoor unit.

Examples:

- For the *SH4BE030KA / B6BMM030K-A match, the appropriate restrictor is the 0.062" and 8 ounces of refrigerant must be added (CHARGE ADDITION).
- For the *SH4BE060KA / B6BMM060K-C match, the indoor restrictor will need to be changed to the 0.091", the outdoor restrictor must be changed to the 0.074", and 3 ounces of refrigerant must be added (CHANGE IN INDOOR RESTRICTOR, OUTDOOR RESTRICTOR, AND CHARGE ADDITION).

Model Number: *SH4BE		018KA	024KA	030KA	036KA	042KA	048KA	060KA
ID Restrictor Supplied With OD Unit:		0.052, 0.056	0.057	0.061	0.066, 0.067	0.075	0.076	0.091
OD Restrictor Supplied With OD Unit:		0.039	0.041	0.048	0.055	0.059	0.062	0.076
Outdoor Unit BOM Charge (Oz.)		70	68	72	87	115	115	114
MODELS	SUPPLIED WITH ID	REQUIRED RESTRICTOR OR TXV (CHARGE ADDITION (OZ) / RATED AIRFLOW (SCFM))						
B6BMM0								
B6BMM024K-A	0.055	0.056 (4 / 650)	0.057 (7 / 825)	--	--	--	--	--
B6BMM024K-B	0.055	0.056 (4 / 650)	0.057 (7 / 825)	--	--	--	--	--
B6BMM030K-A	0.062	--	--	0.062 (8 / 1040)	--	--	--	--
B6BMM030K-B	0.062	--	--	0.062 (8 / 1040)	--	--	--	--
B6BMM042K-B	0.074	--	--	--	0.067 (13 / 1195)	0.075 (5 / 1275)	--	--
B6BMM060K-C	0.087	--	--	--	--	--	0.076 (4 / 1555)	0.091 (3 / 1615)
B6BW								
B6BW-018K(*)	0.056	0.052 (5 / 655)	--	--	--	--	--	--
B6BW-024K(*)	0.057	--	0.057 (0 / 915)	--	--	--	--	--
B6BW-030K(*)	0.060	--	--	0.061 (0 / 1010)	--	--	--	--
B6BW-036K(*)	0.069	--	--	--	0.066 (0 / 1145)	--	--	--
B6EM								
B6EMMX24K-A	669564	669564 (4 / 660)	669564 (3 / 810)	--	--	--	--	--
B6EMMX24K-B	669564	669564 (4 / 660)	669564 (3 / 810)	--	--	--	--	--
B6EMMX30K-A	669565	--	--	669565 (8 / 960)	--	--	--	--
B6EMMX30K-B	669565	--	--	669565 (8 / 960)	--	--	--	--
B6EMMX36K-B	669566	--	--	--	669566 (11 / 1140)	--	--	--
B6EMMX42K-B	669567	--	--	--	--	669567 (0 / 1205)	--	--
B6EMMX48K-C	669852	--	--	--	--	669852 (0 / 1195)	669852 (0 / 1510)	--
B6EMMX60K-C	669578	--	--	--	--	--	--	669578 (0 / 1545)

NOTES:

- Gray cells require the outdoor restrictor to be changed as well. See Table 5.
- The charges listed are only valid for the standard 15' lineset.
- Part numbers beginning with 669*** are TXV part numbers and numbers listed as 0.*** are restrictor diameters.

Table 4. Restrictor or TXV / Charge Addition (Oz)

Instructions:

1. Find the column for the model of outdoor unit that is being installed.
2. Find the row for the model of the indoor unit that is being installed.
3. Find the cell in the table in which this row and column meet. In this cell the appropriate orifice / TXV and charge addition for this match are listed. If the text in this cell is BOLD, then a change of orifice is necessary.
4. If a change in restrictor is necessary, then the appropriate restrictor will already be supplied with the outdoor unit.

Examples:

- For the *SH4BE030KA / B6BMM030K-A match, the appropriate restrictor is the 0.062" and 8 ounces of refrigerant must be added (CHARGE ADDITION).
- For the *SH4BE060KA / B6BMM060K-C match, the indoor restrictor will need to be changed to the 0.091", the outdoor restrictor must be changed to the 0.074", and 3 ounces of refrigerant must be added (CHANGE IN INDOOR RESTRICTOR, OUTDOOR RESTRICTOR, AND CHARGE ADDITION).

Model Number: *SH4BE		018KA	024KA	030KA	036KA	042KA	048KA	060KA
ID Restrictor Supplied With OD Unit:		0.052, 0.056	0.057	0.061	0.066, 0.067	0.075	0.076	0.091
OD Restrictor Supplied With OD Unit:		0.039	0.041	0.048	0.055	0.059	0.062	0.076
Outdoor Unit BOM Charge (Oz.)		70	68	72	87	115	115	114
MODELS	SUPPLIED WITH ID	REQUIRED RESTRICTOR OR TXV (CHARGE ADDITION (OZ) / RATED AIRFLOW (SCFM))						
B6EW								
B6EW-X18K	669564	669564 (0 / 700)	--	--	--	--	--	--
B6EW-X25K	669564	--	669564 (1 / 920)	--	--	--	--	--
B6EW-X30K	669565	--	--	669565 (5 / 1000)	--	--	--	--
B6EW-X36K	669566	--	--	--	669566 (0 / 1100)	--	--	--
C7-0								
C7B(A,H)M01824(C,U)-A	0.048	920668A (4 / 660)	920669A (3 / 810)	--	--	--	--	--
C7B(A,H)M01824(C,U)-B	0.055	920668A (4 / 660)	920669A (3 / 810)	--	--	--	--	--
C7B(A,H)M030(C,U)-C	0.061	--	920669A (3 / 810)	920670A (8 / 960)	--	--	--	--
C7B(A,H)M03036(C,U)-A	0.061	--	--	920670A (8 / 960)	--	--	--	--
C7B(A,H)M03036(C,U)-B	0.067	--	--	920670A (8 / 960)	--	--	--	--
C7B(A,H)M03642(C,U)-B	0.071	--	--	--	920670A (11 / 1140)	920671A (0 / 1275)	--	--
C7B(A,H)M03648(C,U)-C	0.067	--	--	--	920670A (11 / 1140)	920671A (0 / 1275)	--	--
C7B(A,H)M042(C,U)-D	0.071	--	--	--	--	920671A (0 / 1275)	--	--
C7B(A,H)M048(C,U)-C	0.077	--	--	--	--	--	920672A (0 / 1510)	--
C7B(A,H)M048(C,U)-D	0.087	--	--	--	--	--	920672A (0 / 1510)	--
C7B(A,H)M060(C,U)-C	0.083	--	--	--	--	--	--	920673A (0 / 1545)
C7B(A,H)M060(C,U)-D	0.083	--	--	--	--	--	--	920673A (0 / 1545)

NOTES:

- Gray cells require the outdoor restrictor to be changed as well. See Table 5.
- The charges listed are only valid for the standard 15' lineset.
- Part numbers beginning with 669***are TXV part numbers and numbers listed as 0.*** are restrictor diameters.
- Bold part numbers beginning with a 9 are TXV kit numbers and must be ordered separately.

Table 4. Restrictor or TXV / Charge Addition (Oz) - Continued

OD Unit	ID Unit	Factory Installed Restrictor	Correct Outdoor Restrictor
*SH4BE018KA	B6BMM024K-A	0.039	0.043
	B6BMM024K-B	0.039	0.043
	B6BW-018K(*)	0.039	0.045
	B6EW-X18K	0.039	0.045
SH4BE024KA	B6BW-024K()	0.041	0.047
	B6EW-X25K	0.041	0.049
SH4BE030KA	B6BW-030K()	0.048	0.051
	B6EW-X30K	0.048	0.053
*SH4BE036KA	B6BMM042K-B	0.055	0.056
	B6BW-036K(*)	0.055	0.059
	B6EW-X36K	0.055	0.059
*SH4BE048KA	B6BMM060K-C	0.062	0.059
*SH4BE060KA	B6BMM060K-C	0.076	0.074

Table 5. Outdoor Restrictor Changes

