

# QUICK REFERENCE DATA

## DT4BD Series - Split System Heat Pump

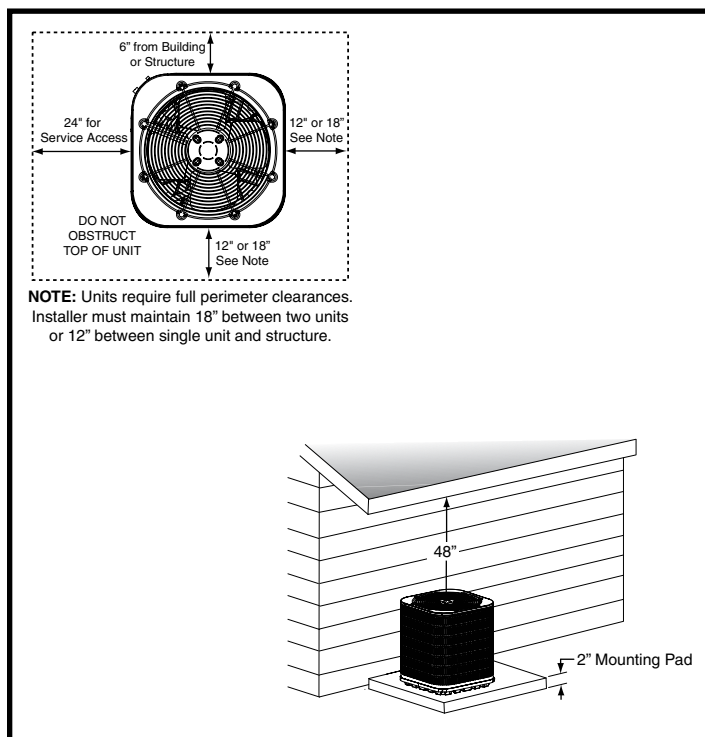
MODEL NUMBER: DT4BD-			018K	024K	030K	036K	042K	048K	060K
<b>Electrical Data</b>	Volts-Cycles-Phase (1)		208/230-60-1						
	Total Amps		10.2	14.6	15.3	17.8	19.4	23.2	27.7
	Delay Fuse Max. (2)		20	30	30	35	40	50	60
	Min. Circuit Ampacity		12.4	18.0	18.8	22.0	23.9	28.7	34.3
<b>Condenser Data</b>	Coil	Area	17.7	20.3	22.8	25.3	22.8	25.3	25.3
		Rows-FPI	1-18	1-18	1-20	1-20	2-16	2-16	2-16
		Tube Dia	3/8" O.D.						
	Fan Motor	Type	PSC						
		Amps	1.2	1.2	1.2	1.2	1.46	1.46	1.46
		HP	0.2	0.2	0.2	0.2	0.25	0.25	0.25
	Compressor Data	RLA	9.0	13.4	14.1	16.6	17.9	21.8	26.2
LRA		48	58.3	73.0	79.0	112.0	117.0	134.0	
<b>Refrigerant suction line O.D.</b>		0-24 ft.	3/4"	3/4"	3/4"	7/8"	7/8"	7/8"	7/8"
<b>NOTE:</b> Liquid line is 3/8" O.D. for entire length.		25-39 ft.	3/4"	3/4"	3/4"	7/8"	7/8"	7/8"	1-1/8" (3)
		40-75 ft.	3/4"	3/4"	3/4"	7/8"	7/8"	7/8"	1-1/8" (3)
<b>Refrigerant charge</b> R-410A in ounces for outdoor unit & 15' lineset. (4)			110	124	147	158	243	248	248
<b>Approximate Weight (lbs.)</b>	Net		166	171	176	181	247	280	290
	Ship		175	180	185	190	260	295	305

- (1) Operating Voltage Range: 187v min. — 253v max.
- (2) HACR Type Circuit Breakers may be used.
- (3) Requires 7/8" to 1-1/8" adapter from unit to line.
- (4) Additional charge for line sets above 15 feet. Values based on suction line as follows with 3/8" liquid line.
  - (a) 3/4" = 0.6 oz. per additional foot.
  - (b) 7/8" = 0.7 oz. per additional foot.
  - (c) 1 1/8" = 0.8 oz. per additional foot.

**Table 1. Electrical Specifications & Physical Data**

Wire Gauge	Recommended Maximum Wire Length (FT) from Unit to Thermostat
22	45
20	70
18	115
16	180

**Table 2. Control Wiring (24V)**



**Figure 1. Clearance Requirements**

Model DT4BD Shown

MODEL NUMBER	HEIGHT (H)	WIDTH (W)	DEPTH (D)
DT4BD-018K	31 1/2"	30 3/4"	30 3/4"
DT4BD-024K	35 1/2"	30 3/4"	30 3/4"
DT4BD-030K	39 1/2"	30 3/4"	30 3/4"
DT4BD-036K	43 1/2"	30 3/4"	30 3/4"
DT4BD-042K	39 1/2"	30 3/4"	30 3/4"
DT4BD-048K	43 1/2"	30 3/4"	30 3/4"
DT4BD-060K	43 1/2"	30 3/4"	30 3/4"

**Table 3. Unit Dimensions**

**Instructions:**

1. Find the column for the model of outdoor unit that is being installed.
2. Find the row for the model of the indoor unit that is being installed.
3. Find the cell in the table in which this row and column meet. In this cell the appropriate orifice / TXV and charge addition for this match are listed. If the text in this cell is **BOLD**, then a change of orifice is necessary.
4. If a change in restrictor is necessary, then the appropriate restrictor will already be supplied with the outdoor unit.

**Examples:**

- For the DT4BD-024K / C8(B,D)01830U-B match the restrictor will need to be changed to the 0.056" and no additional charge needs to be added (CHANGE IN RESTRICTOR).
- For the DT4BD-030K / C5(Q,D)A-X30U-B match the appropriate TXV is the 669565 and 2 ounces of charge must be removed from the system (REDUCTION IN CHARGE).

Model Number: DT4BD		-018K	-024K	-030K	-036K	-042K	-048K	-060K
ID Restrictor Supplied With OD Unit:		0.053	0.056					
OD Restrictor Supplied With OD Unit:		0.035	0.041	0.048	0.055	0.055	0.060	0.068
Outdoor Unit BOM Charge (Oz.)		110	124	147	158	243	248	248
MODELS	SUPPLIED WITH ID	REQUIRED RESTRICTOR OR TXV / CHARGE ADDITION (OZ) / RATED AIRFLOW (SCFM)						
<b>C5</b>								
C5(B,D)A-X25U-B	669564	669564 (2 / 625)	669564 (14 / 750)	--	--	--	--	--
C5(B,D)A-X30U-B	669565	--	--	669565 (-2 / 850)	--	--	--	--
C5(B,D)A-X36U-B	669566	--	--	--	669566 (8 / 1180)	--	--	--
<b>C8</b>								
C8(B,D)AM01830U-B	0.061	<b>0.053</b> (0 / 580)	<b>0.056</b> (0 / 855)	0.061 (0 / 1005)	--	--	--	--
C8(B,D)AM036U-B	0.067	--	--	--	0.067 (0 / 1180)	--	--	--
<b>CM4B</b>								
CM4B-53U	TXV	--	--	--	--	TXV (0 / 1310)	TXV (0 / 1400)	--
CM4B-54U	TXV	--	--	--	--	TXV (0 / 1400)	TXV (0 / 1400)	--
CM4B-56U	TXV	--	--	--	--	--	--	TXV (0 / 1600)

**NOTES:**

- The charges listed are only valid for the standard 15' lineset.
- Numbers listed as 0.\*\*\* are restrictor diameters, while numbers listed as 669\*\*\* are TXV part numbers.

**Table 4. Restrictor or TXV / Charge Addition (Oz)**

