

INSTALLATION INSTRUCTIONS

For *G7 / *GC2 Series Furnaces & Appliances Using Honeywell Gas Valves

BEFORE THE CONVERSION

IMPORTANT: Please read all instructions before converting the furnace. Pay attention to all safety warnings and any other special notes highlighted in the manual. Safety markings are used frequently throughout this manual to designate a degree or level of seriousness and should not be ignored. **WARNING** indicates a potentially hazardous situation that if not avoided, could result in personal injury or death.

This conversion kit is only to be used to convert natural gas furnaces to LP/Propane gas and/or for high altitude applications in Canada. For installations in the United States, the U.S. conversion kit must be used.

Table 1 is a detailed listing of the components in the LP gas conversion kit. Please check the contents of the conversion kit with that of the parts listing, and familiarize yourself with each component.

Use caution when servicing or removing components from the appliance. Personal injury can occur from sharp metal edges present in all sheet metal constructed equipment.

NOTE: If furnace was produced before January 2010, the NOX baffles must be removed from the furnace before conversion.

DESCRIPTION	QTY
Honeywell Conversion Kit 396221 (to convert VR8205S2890 or VR8215S1289)	1
Honeywell Conversion Kit 396021 (to convert VR8205Q2381)	1
Honeywell Conversion Kit 50033841 (to convert VR9205Q1127)	1
#55 Drill Size Burner Orifice Kit (contains (7) 661055)	1
#56 Drill Size Burner Orifice Kit (contains (7) 661056)	1
#57 Drill Size Burner Orifice Kit (contains (7) 661057)	1
#59 Drill Size Burner Orifice Kit (contains (3) 661059)	1
#60 Drill Size Burner Orifice Kit (contains (3) 661060)	1
Conversion Warning Label	1
Conversion Information Label	1
Installation Instructions	1

Table 1. LP Gas Conversion Kit

⚠ WARNING

FIRE OR EXPLOSION HAZARD

Failure to follow safety warnings exactly could result in serious injury or property damage.

– Do not store or use gasoline or other flammable vapors and liquids in the vicinity of this or any other appliance.

WHAT TO DO IF YOU SMELL GAS

- Do not try to light any appliance.
 - Do not touch any electrical switch; do not use any phone in your building.
 - Leave the building immediately.
 - Immediately call your gas supplier from a neighbors phone. Follow the gas suppliers instructions.
 - If you cannot reach your gas supplier, call the fire department.
- Installation and service must be performed by a qualified installer, service agency or the gas supplier.

⚠ AVERTISSEMENT

RISQUE D'INCENDIE OU D'EXPLOSION

Si les consignes de sécurité ne sont pas suivies à la lettre, cela peut entraîner la mort, de graves blessures ou des dommages matériels.

– Ne pas entreposer ni utiliser de l'essence ni d'autres vapeurs ou liquides inflammables dans le voisinage de cet appareil, ni de tout autre appareil.

QUE FAIRE SI UNE ODEUR DE GAZ EST DÉTECTÉE

- Ne mettre en marche aucun appareil.
 - Ne toucher aucun interrupteur électrique; ne pas utiliser de téléphone dans le bâtiment.
 - Quitter le bâtiment immédiatement.
 - Appeler immédiatement le fournisseur de gaz en utilisant le téléphone d'un voisin. Suivre les instructions du fournisseur de gaz.
 - Si le fournisseur de gaz n'est pas accessible, appeler le service d'incendie.
- L'installation et l'entretien doivent être effectués par un installateur ou une entreprise d'entretien qualifié, ou le fournisseur de gaz.

DO NOT DESTROY THIS MANUAL. READ ALL INSTRUCTIONS IN THIS MANUAL AND KEEP IN A SAFE PLACE FOR FUTURE REFERENCE.

NE PAS DÉTRUIRE. LIRE TOUTES LES INSTRUCTIONS DONNÉE DANS LE MANUEL ET CONSERVER EN UN LIEU SÛR POUR RÉFÉRENCE ULTÉRIEURE.

⚠ WARNING:

All gas piping must conform with local building codes, or in the absence of local codes, with the most recent edition of the natural gas and propane code CAN/CGA B149.1. DO NOT attempt to modify, or tap into existing gas lines yourself. Fire or explosion may result causing property damage, personal injury or loss of life. Failure to follow the safety warnings exactly could result in serious injury, death or property damage.

⚠ WARNING:

All electrical wiring must comply with the latest edition of the Canadian Electrical Code CGA2.17. Failure to follow these instructions could result in possible damage to equipment, serious personal injury, or death.

CONVERTING TO LP/PROPANE GAS AT ALTITUDES BETWEEN ZERO & 4,500 FT.

Converting single - stage valves to LP/Propane requires the replacement of the burner orifices and the spring found under the cap screw in the pressure regulator. Converting two - stage valves to LP/Propane requires the replacement of the burner orifices and the stem/spring assembly in the pressure regulator.

Table 2 (page 3), provides the manifold pressure for altitudes above 2,000 feet.

⚠ WARNING:

Shut off the gas supply at the manual gas shutoff valve, before disconnecting the electrical power. A fire or explosion may result causing property damage, personal injury or loss of life. Failure to follow the safety warnings exactly could result in serious injury, death or property damage.

⚠ WARNING:

To avoid electric shock, personal injury, or death, turn off the electric power at the disconnect or the main service panel before making any electrical connections.

⚠ WARNING:

The reduction of input rating necessary for high altitude installation may only be accomplished with factory supplied orifices. Do not attempt to drill out orifices in the field. Improperly drilled orifices may cause fire, explosion, carbon monoxide poisoning, personal injury or death.

Before You Convert the Gas Valve

1. Turn the thermostat OFF or to its lowest temperature setting.
2. Verify the gas supply is shut OFF.
3. Verify the electrical power to the appliance is turned OFF.

Removing The Burner Orifices

1. Set the thermostat to the OFF position, or its lowest temperature setting.
2. Shut OFF the gas supply at the manual shutoff valve located outside of the appliance.
3. Turn off all electrical power to the appliance.
4. Remove the door from the burner compartment.
5. Move the gas valve ON/OFF switch to the OFF position as shown in Figure 1. For For VR8205Q2381 gas valves, turn the knob to the OFF position.
6. Remove the wires from the terminals of the gas valve.
7. Remove the supply gas piping from the gas valve inlet.
8. Carefully remove four screws securing the gas manifold assembly to the burner assembly.
9. Set the screws aside and remove the gas manifold assembly from the appliance.
10. Carefully remove the burner orifices from the gas manifold assembly.
11. Read the rating plate affixed to the appliance to determine its rated input (Btu/hr) and the size of the factory installed orifices.

IMPORTANT NOTE:

Before installing an orifice, check the side or face of the orifice for the drill number to ensure that it is the appropriate size.

⚠ WARNING:

Do not use Teflon tape or pipe joint compound on the orifice threads. The hole in the orifice may become blocked and cause fire, explosion, property damage, carbon monoxide poisoning, personal injury, or death.

12. Install the appropriate LP/Propane gas burner orifices into the gas manifold assembly.

NOTE: To prevent cross threading, hand tighten the orifices into the gas manifold assembly until snug, then tighten with a wrench.

13. Reinstall the gas manifold assembly to the burner assembly with the 4 screws, that were removed earlier. **NOTE:** It is important that the center of the orifices are aligned with the center of the burners. It is recommended to fire the unit and check alignment of the flame after converting to LP.
14. Reconnect the gas piping to the gas valve inlet.
15. Reconnect the wires to the gas valve terminals.

Single Stage Honeywell Valves

Models: VR8205S2890 or VR8215S1289

IMPORTANT NOTE:

When converting to LP/Propane gas from natural gas, the black spring in the gas valve must be replaced by the red spring in the kit.

1. Remove the cap screw from the gas valve as shown in Figure 2.
2. Remove and discard the plastic pressure regulator adjustment screw from the gas valve. See Figure 3.
3. Remove the black colored spring from the gas valve.
4. Install the red spring from the conversion kit.
5. Install the new adjusting screw from the kit.

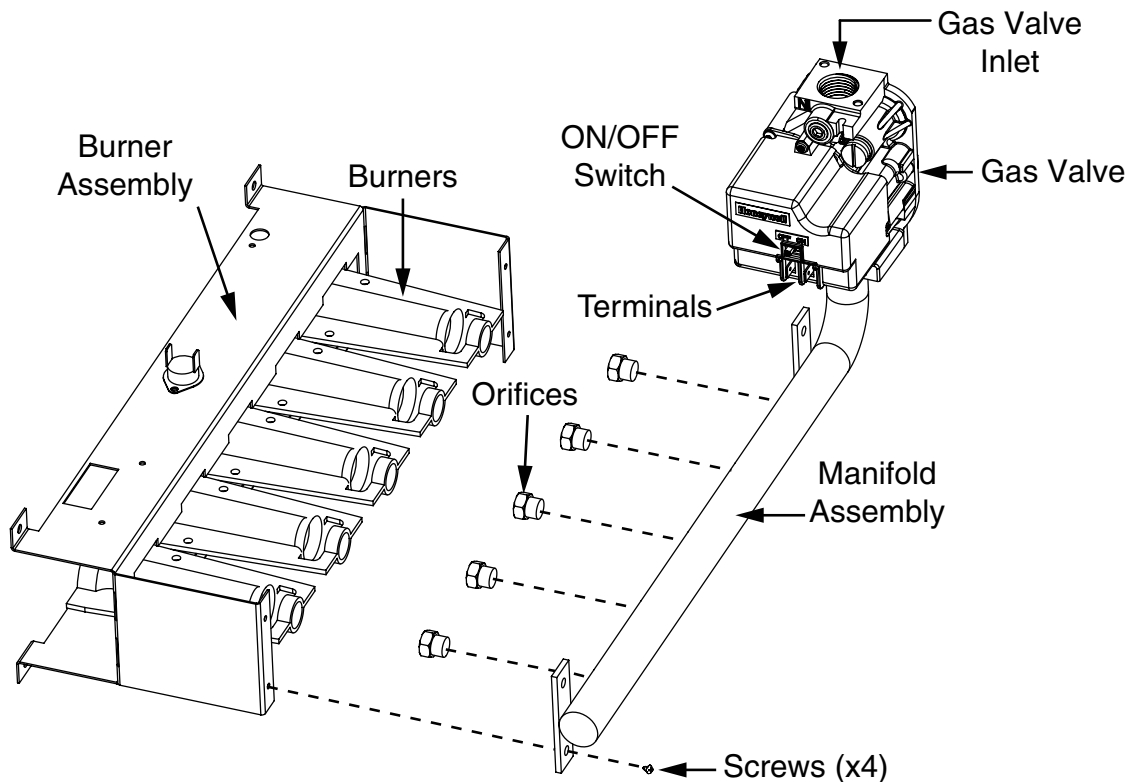


Figure 1. Typical Burner & Manifold Assembly

FURNACE MODEL	INPUT (BTUH)	LP ORIFICE SIZE FOR ALTITUDES BETWEEN 0 - 4,500 FT.	MANIFOLD PRESSURE	
*G7SA / *GC2SA *G7SK / *GC2SK	45,000	57	0 to 1,999 ft. 10.0 in. w.c.	2,000 to 4,500 ft. 8.5 in. w.c.
	54,000	56		
	72,000	56		
	90,000	56		
	108,000	56		
*G7SC / *GC2SC *G7SL / *GC2SL *G7SD / *GC2SD *G7SM / *GC2SM	38,000 (SC)	56	0 to 1,999 ft. 10.0 in. w.c.	2,000 to 4,500 ft. 8.5 in. w.c.
	38,000 (SD)	60		
	54,000	56		
	72,000	56		
	90,000	56		
	108,000	56		
	118,000	55		
*G7TA / *GC2TA *G7TK / *GC2TK	60,000	55	0 to 1,999 ft. 10.0 in. w.c. for High 4.2 in. w.c. for Low	2,000 to 4,500 ft. 8.5 in. w.c. for High 3.8 in. w.c. for Low
	80,000	55		
	100,000	55		
	120,000	55		
	140,000	55		
*G7TC / *GC2TC *G7TL / *GC2TL	60,000	55	0 to 1,999 ft. 10.0 in. w.c. for High 4.2 in. w.c. for Low	2,000 to 4,500 ft. 8.5 in. w.c. for High 3.8 in. w.c. for Low
	80,000	55		
	100,000	55		
	120,000	55		
*G7TE / *GC2TE *G7TN / *GC2TN	60,000	55	0 to 1,999 ft. 10.0 in. w.c. for High 4.2 in. w.c. for Low	2,000 to 4,500 ft. 8.5 in. w.c. for High 3.8 in. w.c. for Low
	80,000	55		
	100,000	55		
	115,000	55		

Table 2. Liquid Propane Conversion Chart

6. Check and adjust the regulator setting. See Gas Pressure Adjustment Section (page 5).
7. Reinstall the cap screw.
8. Affix the label from the conversion kit to the gas valve.

2 - Stage Honeywell Valves

Model VR8205Q2381

IMPORTANT NOTE:

When converting to LP/Propane gas from natural gas, the white stem/spring assembly in the gas valve must be replaced by the black stem/spring assembly in the kit.

1. Remove two screws securing the pressure regulator cover assembly to the gas valve. Do not discard the screws. See Figure 4.
2. Remove the pressure regulator cover assembly from the gas valve.
3. Remove and discard the existing stem/spring assembly from the gas valve.
4. Install the replacement stem/spring assembly from the conversion kit.
5. Reinstall the pressure regulator cover assembly onto the gas valve.
6. Install the two screws and tighten.
7. Affix the label from the conversion kit to the gas valve.

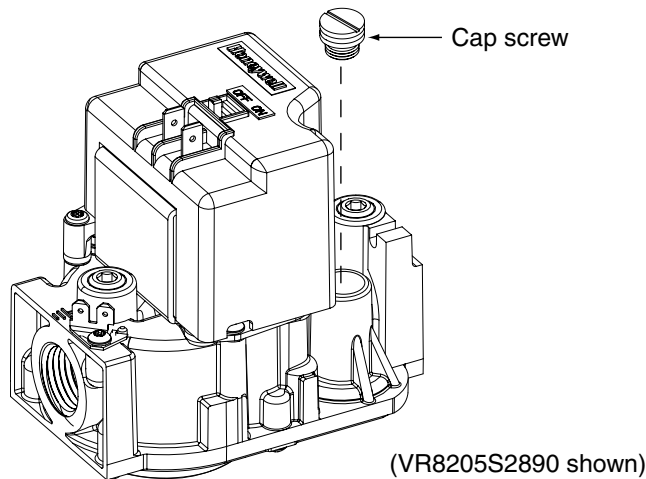


Figure 2. Cap Screw Removal

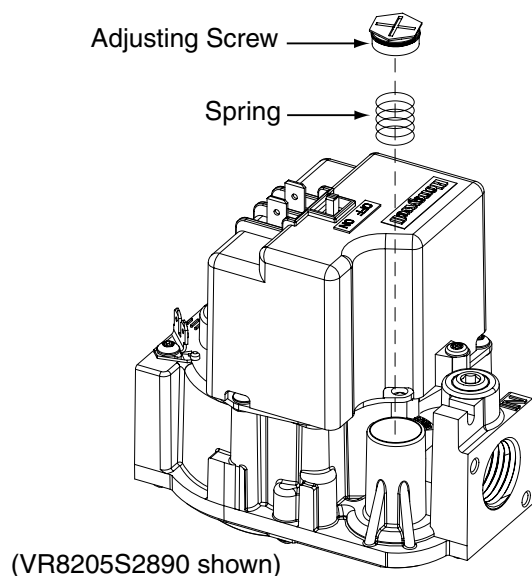


Figure 3. Pressure Regulator Spring & Adjustment Screw Removal

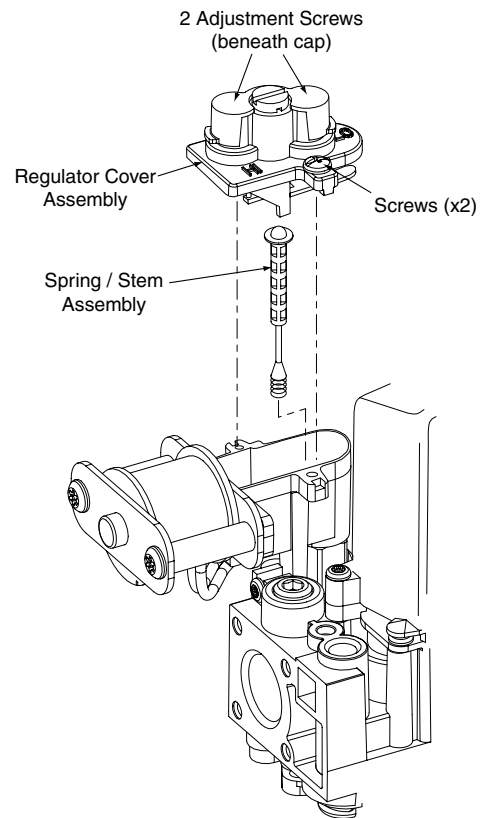


Figure 4. Spring / Stem Assembly Removal

GAS PRESSURE ADJUSTMENT

Measuring the Supply Gas Pressure

1. Turn OFF the gas supply at the manual valve located on the outside of the unit.
2. Using a 3/16" Allen wrench, remove the plug from the inlet pressure tap (INLET side of gas valve). See Figure 6 (page 6).
3. Install an 1/8" NPT pipe thread fitting, which is compatible with a Manometer or similar pressure gauge.
4. Connect the Manometer or pressure gauge to the Inlet Pressure Tap.
5. Turn ON the main gas supply at the manual valve.
6. Check and adjust the incoming gas line pressure to 11.0-14.0 inches Water Column for LP/Propane gas.
7. Turn OFF the gas supply at the manual valve.
8. Disconnect the Manometer or pressure gauge.
9. Remove the NPT fitting and reinstall the INLET pressure tap plug. Hand tighten the plug first to prevent cross-threading. Tighten with 3/16" Allen wrench.

Lighting & Adjustment of the Appliance

⚠ WARNING:

FIRE OR EXPLOSION HAZARD
Failure to follow safety warnings exactly could result in serious injury or property damage.

Never test for gas leaks with an open flame. Use a commercially available soap solution made specifically for the detection of leaks to check all connections. A fire or explosion may result causing property damage, personal injury or loss of life.



AVERTISSEMENT :

RISQUE D'INCENDIE OU D'EXPLOSION

Si les consignes de sécurité ne sont pas suivies à la lettre, cela peut entraîner la mort, de graves blessures ou des dommages matériels..

Ne jamais vérifier la présence de fuites de gaz au moyen d'une flamme nue. Vérifier tous les raccords en utilisant une solution savonneuse commerciale conçue spécialement pour la détection de fuites. Un incendie ou une explosion risque de se produire, ce qui peut entraîner la mort, des blessures ou des dommages matériels.

1. Turn ON the manual gas valve, located on the outside of the unit to the ON position.
2. Check all gas connections for leaks with a soap and water solution. If the solution bubbles there is a gas leak which must be corrected.
3. Turn on the electrical power to the appliance.
4. Place the gas valve ON/OFF switch/knob to the ON position. See Figure 6.
5. Set the thermostat above room temperature to begin the heating cycle of the furnace.
6. Check that the furnace ignites and operates properly. Refer to the installation instructions provided with the unit for the normal operating sequence.
7. After ignition, visually inspect the burner assembly to ensure that the flame is drawn directly into the center of the heat exchanger tube. In a properly adjusted burner assembly, the flame color should be blue with some light yellow streaks near the outer portions of the flame.

NOTE: The ignitor may not ignite the gas until all air is bled from the gas line. If the ignition control locks out, turn the thermostat to its lowest setting and wait one minute then turn the thermostat above room temperature and the ignitor will try again to ignite the main burners. This process may have to be repeated several times before the burners will ignite. After the burners are lit, check all gas connections for leaks again with the soap and water solution.

Measuring the Manifold Pressure

The manifold pressure must be measured by installing a pressure gauge (Manometer, Magnehelic Meter, etc.) to the outlet end of the gas valve as follows:

1. Shut OFF the gas supply at the manual shutoff valve located outside of the appliance.
2. Turn off all electrical power to the appliance.
3. Using a 3/16" Allen wrench, remove the manifold pressure tap plug located on the outlet side of the gas valve. See Figure 6.
4. Install an 1/8" NPT pipe thread fitting, that is compatible with a Manometer or similar pressure gauge.
5. Connect the Manometer or pressure gauge to the manifold pressure tap.
6. Set the room thermostat above room temperature to start the furnace.
7. Allow the furnace to operate for 3 minutes and then check the manifold pressure. Compare the measured value with the value shown in Table 2 (page 3). If the manifold pressure is not set to the appropriate pressure, then it must be adjusted.

Adjusting the Manifold Pressure

NOTE: Adjustments do not need to be made to LOW fire for model VR8205Q2381. Refer to Table 2 for manifold pressures.

1. Single stage gas valve: Remove the cap screw from the top of the gas valve regulator. See Figure 2 (page 4) for VR8205S2890 or VR8215S1289 models.

- 2-stage gas valve: For VR8205Q2381 models, remove the plastic cap covering the adjustment screws (Figure 4 page 4).
2. Using a screwdriver or Allen wrench (where appropriate), slowly turn the adjustment screw till the appropriate manifold pressure listed in Table 2 is achieved. See Figure 2 for VR8205S2890 or VR8215S1289 models. See Figure 4 for VR8205Q2381 models or Figure 5 for VR9205Q11127 models.

NOTE: Turning the screw clockwise increases the pressure, turning the screw counter-clockwise decreases the pressure. To prevent the screw from backing all the way out from the valve, turn the screw slowly.

3. Replace and tighten the cap screw or the plastic cap over the adjustment screw.

Removing the Manometer/Pressure Gauge

After the manifold pressure is properly adjusted, the Manometer or pressure gauge must be removed from the gas valve.

1. Turn the thermostat to its lowest setting.
2. Turn OFF the main gas supply to the unit at the manual shut-off valve, which is located outside of the unit.
3. Turn OFF all of the electrical power supplies to the unit.
4. Remove the pressure gauge adapter from the gas valve and replace it with the 1/8" NPT manifold pressure plug that had been removed earlier. **NOTE:** Make sure the plug is tight and not cross-threaded.
5. Turn ON the electrical power to the unit.
6. Turn ON the main gas supply to the unit at the manual shut-off valve.

COMPLETING THE CONVERSION



WARNING:

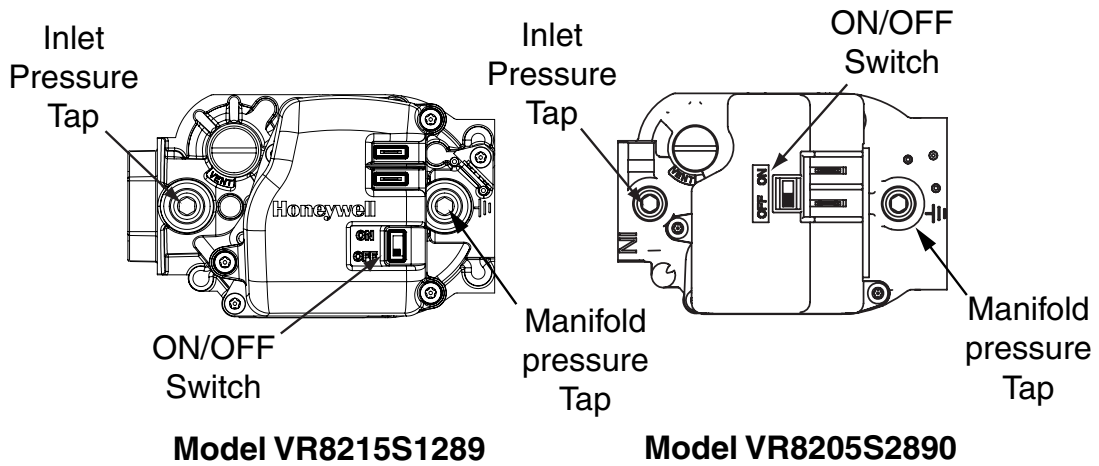
Do not alter or remove the original rating plate from the furnace.

1. Attach the following labels:
 - The conversion warning label should be affixed to the outside of the unit door.
 - The conversion information label should be affixed near the rating plate on the inside of the control area.
 - The gas valve conversion label should be affixed on the gas valve.

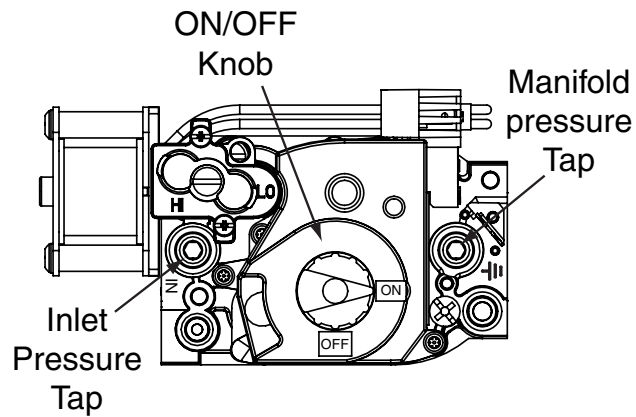
NOTE: Each label should be prominently visible after installation.

2. Reinstall the appliance door.
3. Run the appliance through 3 complete cycles to assure proper operation.

SINGLE STAGE VALVES



2-STAGE VALVE



Model VR8205Q2381

Figure 5. Inlet & Manifold Pressure Tap Locations

The installer performing this work assumes all responsibility for this conversion. These instructions are primarily intended to assist qualified individuals experienced in the proper installation of these components. Some local codes require licensed installation/service personnel for this type of equipment. Safety should always be the deciding factor when installing this product and using common sense plays an important role as well. Improper installation of the components or failure to follow safety warnings could result in serious injury, death, or property damage. After completing the installation, return these instructions to the Homeowner's Package for owner-user's future reference.

