

# INSTALLATION INSTRUCTIONS

## IMPORTANT SAFETY INFORMATION

INSTALLER: Please read all instructions thoroughly before servicing this equipment. Pay attention to all safety warnings and any other special notes highlighted in the manual. Safety markings are used frequently throughout this manual to designate a degree or level of seriousness and should not be ignored. **WARNING** - Indicates a potentially hazardous situation that if not avoided, could result in personal injury or death. **CAUTION** - Indicates a potentially hazardous situation that if not avoided, may result in minor or moderate injury or property damage.

### **WARNING:**

Unless noted otherwise in these instructions, only factory authorized parts or accessory kits may be used with this product. Improper installation, service, adjustment, or maintenance may cause explosion, fire, electrical shock or other hazardous conditions which may result in personal injury or property damage

### **WARNING:**

The information listed below must be followed during the installation, service, and operation of this unit. Unqualified individuals should not attempt to interpret these instructions or install this equipment. Failure to follow safety recommendations could result in possible damage to the equipment, serious personal injury or death.

- Use caution when removing components or handling this product. Personal injury can occur from sharp metal edges present in all sheet metal constructed equipment.

## ABOUT THE VENT TRANSITION KIT

This kit is to be used for field replacement of a non-condensing furnace in manufactured housing. It may be used at elevations up to 8,000 feet above sea level. M7 / MG2S series furnaces are condensing gas furnaces and must be vented with PVC or equivalent pipe to prevent vent corrosion. Using the existing roof jack and vent caps in this kit, you may easily install the vent and combustion air intake pipes for the new furnace. Before you begin the installation process, make sure your kit contains all the items listed in Table 1.

## INSTALLING THE KIT

1. Verify structural integrity of the roof flashing and upper and lower combustion air pipes. **NOTE:** Do not use this kit with existing roof jacks that are unsafe or unstable.
2. Replace the existing furnace with the new condensing furnace. Refer to the the installation instructions supplied with the furnace for additional information.

### Removing Unnecessary Parts from the Old Roof Jack

**NOTE:** Disassembly instructions may vary depending upon the age and design of the roof jack. See Figure 1.

1. Disassemble the top roof jack by removing the screws connecting it to the upper combustion air intake pipe.

## KIT CONTENTS

Replacement Vent Caps .....	Qty: 2
2" Rubber Couplings .....	Qty: 2
2" Diameter Clamps .....	Qty: 4
90° Street Elbows .....	Qty: 2
#10 Sheet Metal Screws .....	Qty: 6
Instruction sheet .....	Qty: 1

Table 1. Kit Contents

2. Remove brackets from the combustion air intake upper pipe. **NOTE:** The brackets are fastened with 1/8" pop rivets and can be removed by drilling the rivets with a 1/8" drill bit.
3. Remove the inner and outer flue pipes (6" diameter) from the roof jack.

### Installing the Vent & Combustion Air Intake Pipe

(After the furnace is set in place)

Vent and combustion air pipe and fittings must be one of the following materials in the list and must conform to the indicated ANSI/ASTM standards.

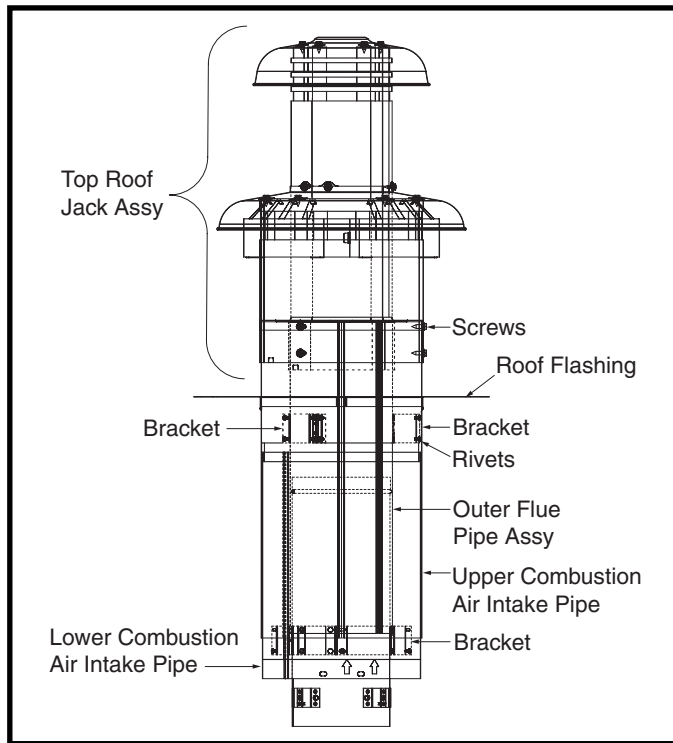
MATERIALS	STANDARDS
Schedule 40PVC .....	D1785
PVC-DWV .....	D2665
SDR-21 & SDR-26.....	D2241
ABS-DWV .....	D2661
Schedule 40 ABS .....	F628
Foam / Cellular Core PVC .....	F891
*PolyPro® by DuraVent.....	ULC-S636
CPVC.....	D1784

\*When using PolyPro®, all venting and fittings must be from the same manufacturer with no interchanging of other materials. Refer to specific instructions supplied with the PolyPro vent kits

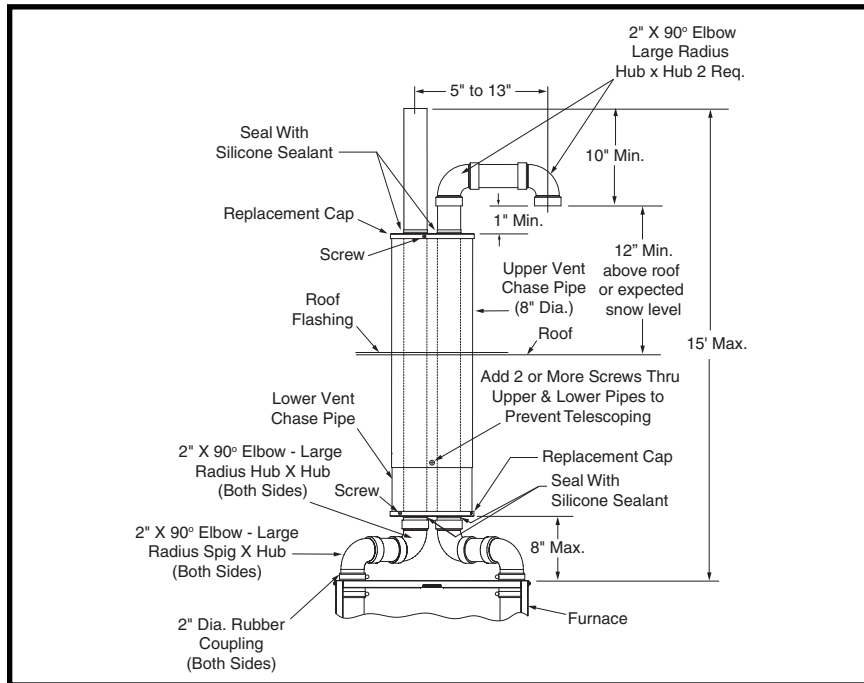
When joining PVC to PVC, use cement that conforms to ASTM standard D2564. PVC primer must meet standard ASTM F656. When joining ABS to ABS, use cement that conforms to ASTM standard D2235. When joining PVC to ABS, use cement as specified in procedure from ASTM standard D3138

In Canada, all plastic vent pipes and fittings including any cement, cleaners, or primers must be certified as a system to ULC S636. However this requirement does not apply to the finish flanges or piping internal to the furnace.

1. Refer to Table 2 and choose proper vent pipe material.
2. Install 2" rubber couplings on the furnace pipes and assemble 90° SPIG x HUB elbow (large radius). See Figure 2.
3. Place bottom and top replacement caps on the roof jack. **DO NOT** screw the caps down at this time.
4. Cut 2" plastic pipes to length and route the vent and combustion air intake pipes through the replacement caps. **NOTE:** The maximum height from the top of the furnace to the top of the flue pipe must be no longer than 15 feet. See Figure 2.
5. Permanently bond all PVC components together using appropriate primer and cement.
6. Screw the top & the bottom replacement caps to the outer pipes. **NOTE:** Two or more screws must be used on each cap.
7. Tighten the upper hose clamps on the 2" rubber couplings.
8. Secure the combustion air intake pipe to the lower combustion air intake pipe at the bottom of the upper pipe using at least two screws.
9. Seal around the two pipes on the top and bottom replacement caps with silicone sealant.



**Figure 1. Typical Existing Roof Jack**



**Figure 2. Vent & Combustion Air Intake Pipe Installation**



709352B

(Replaces 709352A)