

Field Replacement Furnace Vent Transition Kit

INSTALLATION INSTRUCTIONS

For M3RL / M7RL Series Furnaces

IMPORTANT SAFETY INFORMATION

INSTALLER: Please read all instructions before servicing this equipment. Pay attention to all safety warnings and any other special notes. Safety markings designate a degree or level of seriousness and should not be ignored. A **WARNING** Indicates a potentially hazardous situation that if not avoided, could result in personal injury or death.

WARNING:

This kit must be installed by a qualified service technician in accordance with these instructions and all codes having jurisdiction. Failure to follow these instructions could result in serious injury, property damage, or death.

These instructions are primarily intended to assist qualified individuals experienced in the proper vent and combustion intake pipe installations of this appliance. Some local codes require licensed installation/service personnel for the installation of this type of equipment. The qualified service technician performing this work assumes responsibility for this furnace installation.

ABOUT THE VENT TRANSITION KIT

This kit is to be used for field replacement of a non-condensing M3RL / M7RL series furnace in manufactured housing. It may be used at elevations up to 8,000 feet above sea level. M3RL / M7RL series furnaces are condensing gas furnaces and must be vented with PVC or equivalent pipe to prevent vent corrosion. Using the replacement chase assembly and vent caps in this kit, you may easily install the vent and combustion air intake pipes for the new furnace. Before you begin the installation process, make sure your kit contains all the items listed in Table 1.

INSTALLING THE KIT

1. Verify structural integrity of the roof flashing and upper and lower combustion air pipes. **NOTE:** Do not use this kit with existing roof jacks that are unsafe or unstable.
2. Replace the existing furnace with the new M3RL / M7RL furnace. Refer to the the installation instructions supplied with the furnace for additional information.

KIT CONTENTS

Replacement Vent Caps	Qty: 2
2" Rubber Couplings	Qty: 2
2" Diameter Clamps	Qty: 4
90° Street Elbows	Qty: 2
#10 Sheet Metal Screws	Qty: 6
Instruction sheet	Qty: 1

Table 1. Kit Contents

Removing Unnecessary Parts from the Old Roof Jack

NOTE: Disassembly instructions may vary depending upon the age and design of the roof jack. See Figure 1.

1. Disassemble the top roof jack by removing the screws connecting it to the upper combustion air intake pipe.
2. Remove brackets from the combustion air intake upper pipe. **NOTE:** The brackets are fastened with 1/8" pop rivets and can be removed by drilling the rivets with a 1/8" drill bit.
3. Remove the inner and outer flue pipes (6" diameter) from the roof jack.

Installing the Vent & Combustion Air Intake Pipe (After the M3RL / M7RL furnace is set in place)

1. Refer to Table 2 and choose proper vent pipe material.
2. Install 2" rubber couplings on the furnace pipes and assemble 90° SPIG x HUB elbow (large radius). See Figure 2.
3. Place bottom and top replacement caps on the roof jack. DO NOT screw the caps down at this time.
4. Cut 2" plastic pipes to length and route the vent and combustion air intake pipes through the replacement caps. **NOTE:** The maximum height from the top of the furnace to the top of the flue pipe must be no longer than 15 feet. See Figure 2.

IMPORTANT INFORMATION:

- Vent and combustion air pipe and fittings must be one of the materials listed below and must conform to the indicated ANSI/ASTM standards.
- Cement and primer must conform to ATSM Standard D2564 for PVC and Standard D2235 for ABS. When joining PVC piping to ABS, use PVC solvent cement. In Canada, cements, cleaners, or primers must be certified as a system to ULC S636.
- Before permanently installing PVC components, it is recommended you dry-fit them first to ensure proper fit and alignment with other vent pipes.

Materials

Standards

Schedule 40PVC	D1785
PVC-DWV	D2665
SDR-21* & SDR-26*	D2241
ABS-DWV	D2661
Schedule 40 ABS	F628
Foam/Cellular Core PVC	F891

5. Permanently bond all PVC components together using appropriate primer and cement.
6. Screw the top & the bottom replacement caps to the outer pipes. **NOTE:** Two or more screws must be used on each cap.
7. Tighten the upper hose clamps on the 2" rubber couplings.
8. Secure the combustion air intake pipe to the lower combustion air intake pipe at the bottom of the upper pipe using at least two screws.
9. Seal around the two pipes on the top and bottom replacement caps with silicone sealant.

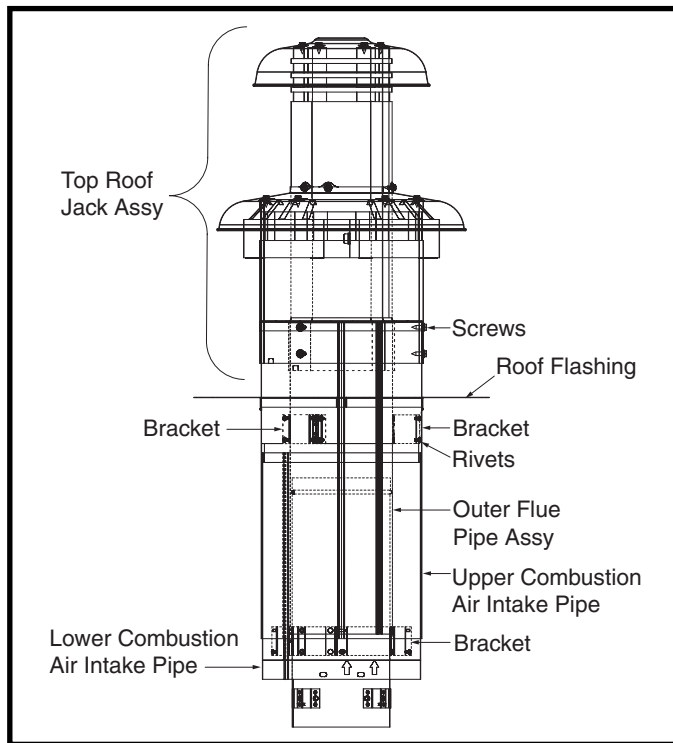


Figure 1. Typical Existing Roof Jack

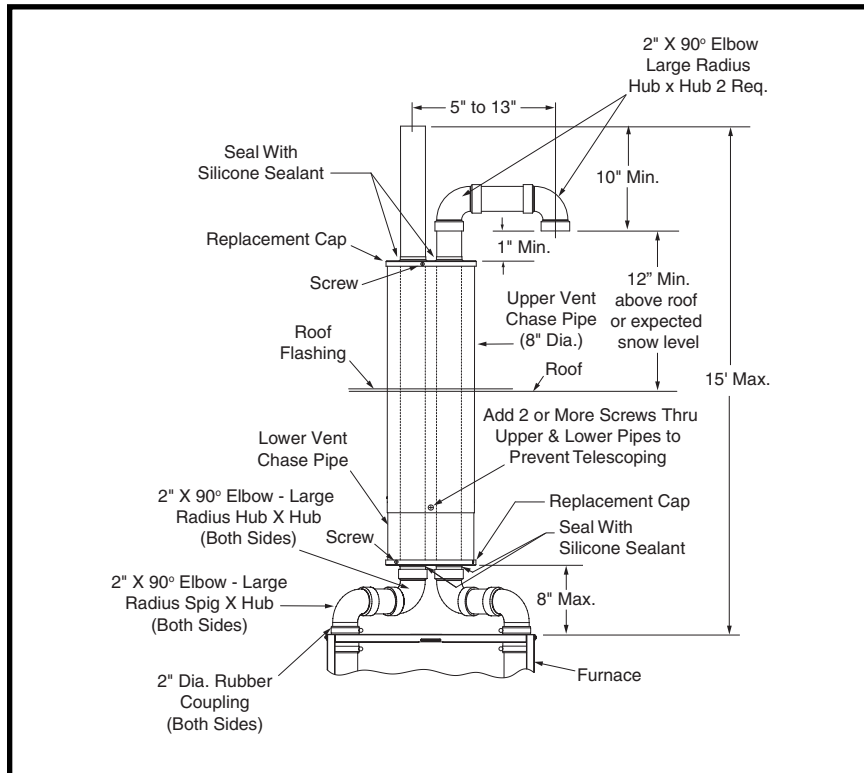


Figure 2. Vent & Combustion Air Intake Pipe Installation

