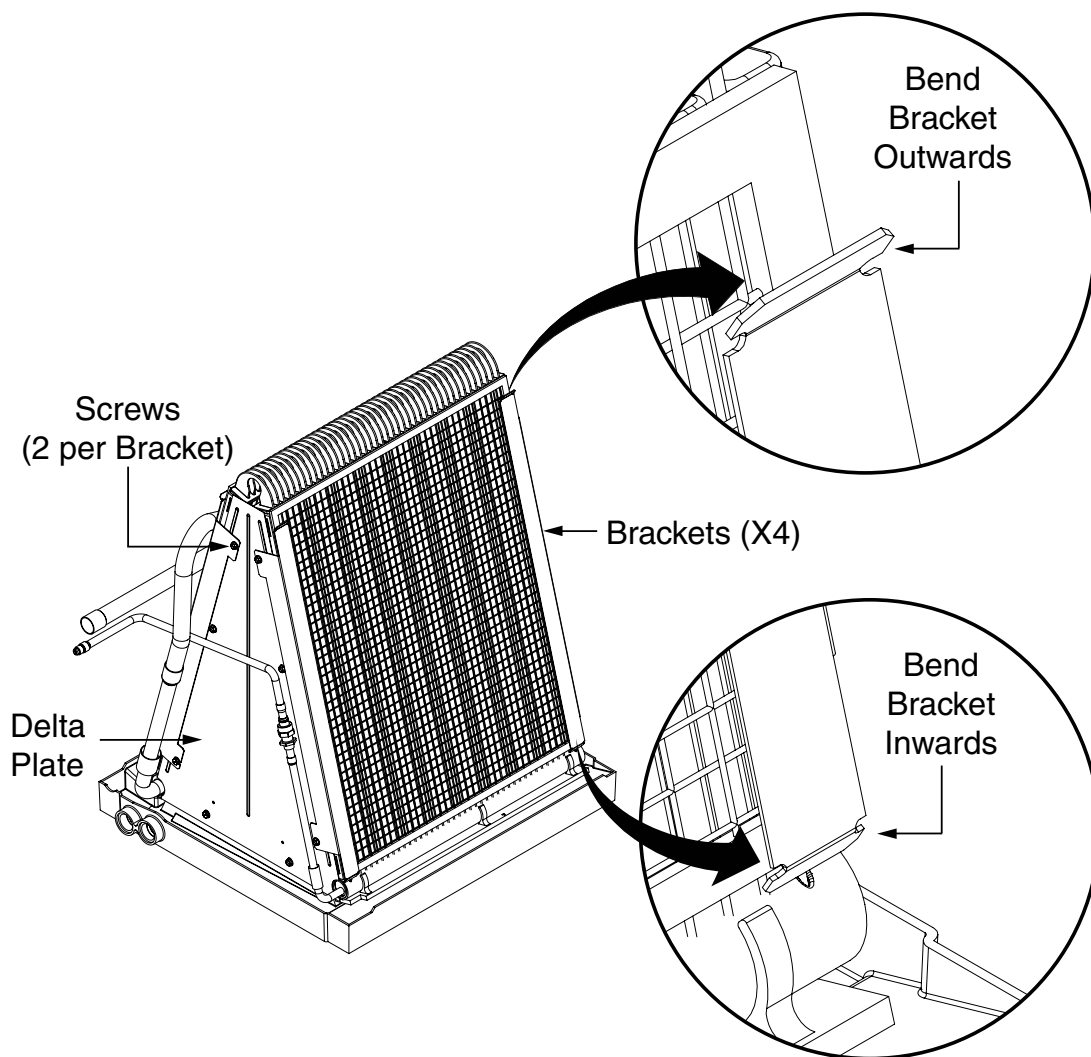


# Installation Instructions

## FILTER KIT



### FILTER KIT INSTALLATION

1. Bend each end of the bracket as shown in the Figure.
2. Loosen appropriate screws securing the Delta Plate to the coil.
3. Attach the bracket over the top of the Delta Plate.
4. Retighten the screws to secure the Delta Plate and bracket to the coil.
5. Repeat Steps 1- 4 for each bracket.
6. Slide the filters between the brackets on both sides of coil.

